

215460-6 ✓ ACTIVE

Micro-MaTch | Micro-MaTch Industrial

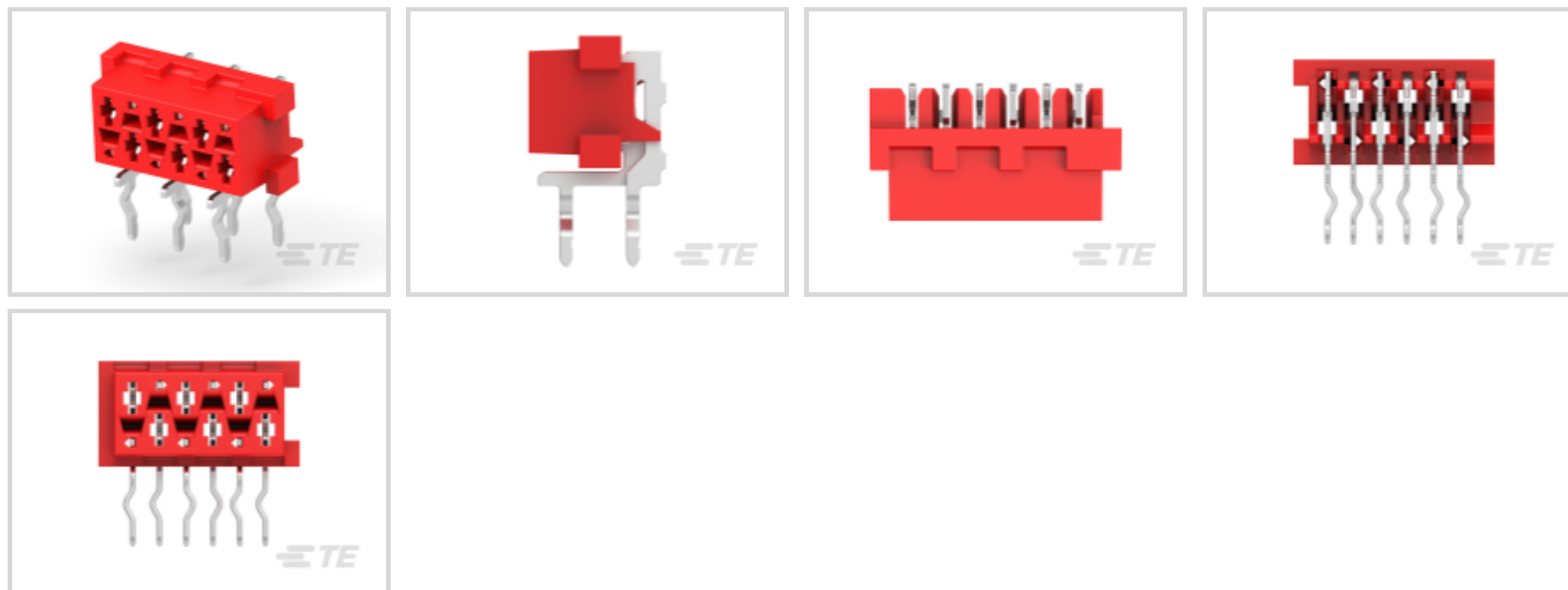
TE Internal #: 215460-6

Cable-to-Board, 6 Position, 2.54 mm [.1 in] Centerline, Right Angle, Through Hole - Solder, 2 Row, Micro-MaTch Industrial, Ribbon Cable Connectors

[View on TE.com >](#)



Connectors > PCB Connectors > Wire-to-Board Connectors > FFC, FPC & Ribbon Connectors > Ribbon Cable Connectors



Connector System: **Cable-to-Board**

Number of Positions: **6**

Centerline (Pitch): **2.54 mm [.1 in]**

PCB Mount Retention: **With**

PCB Mount Retention Type: **Kinked Legs**

Features

Product Type Features

| | |
|-----------------------------------|-----------------------|
| Connector System | Cable-to-Board |
| Connector & Housing Type | Receptacle |
| Connector & Contact Terminates To | Printed Circuit Board |
| Connector Product Type | Connector Assembly |
| Ribbon Cable Connector Type | Female-on-Board |

Configuration Features

| | |
|-----------------------|-------------|
| Number of Positions | 6 |
| PCB Mount Orientation | Right Angle |
| Number of Rows | 2 |

Housing Features

| | |
|-----------------------|------------------|
| Centerline (Pitch) | 2.54 mm [.1 in] |
| Mating Entry Location | Side |
| Housing Material | Glass-Filled PBT |

Mechanical Attachment



| | |
|--------------------------|--------------|
| PCB Mount Retention | With |
| PCB Mount Retention Type | Kinked Legs |
| Mating Alignment Type | Polarization |
| Mating Retention | Without |
| Connector Mounting Type | Board Mount |
| Mating Alignment | With |
| PCB Mount Alignment | Without |

Termination Features

| | |
|---------------------------|-----------------------|
| Termination Method to PCB | Through Hole - Solder |
|---------------------------|-----------------------|

Dimensions

| | |
|--------------------|-----------------|
| Row-to-Row Spacing | 1.5 mm[.059 in] |
|--------------------|-----------------|

Body Features

| | |
|-----------------------|----------|
| Connector Profile | Standard |
| Primary Product Color | Red |

Contact Features

| | |
|---|---|
| Contact Current Rating (Max) | 1.5 A |
| Contact Underplating Material | Nickel |
| PCB Contact Termination Area Plating Material Finish | Matte |
| Contact Mating Area Plating Material Thickness | 3 – 5 μm [118.11 – 196.85 μin] |
| PCB Contact Termination Area Plating Material Thickness | 3 – 5 μm [118.11 – 196.85 μin] |
| Contact Layout | Staggered |
| Contact Mating Area Plating Material | Tin |
| Contact Base Material | Phosphor Bronze |
| PCB Contact Termination Area Plating Material | Tin |
| Contact Type | Receptacle |
| Contact Mating Area Plating Material Finish | Matte |

Operation/Application

| | |
|---------------------|--------|
| Circuit Application | Signal |
|---------------------|--------|

Usage Conditions

| | |
|-----------------------------|--|
| Operating Temperature Range | -40 – 105 $^{\circ}\text{C}$ [-40 – 221 $^{\circ}\text{F}$] |
|-----------------------------|--|

Other

| | |
|--------------------|-----------|
| EU RoHS Compliance | Compliant |
|--------------------|-----------|



| | |
|-------------------|-----------|
| EU ELV Compliance | Compliant |
|-------------------|-----------|

Electrical Characteristics

| | |
|-----------------------|---------|
| Operating Voltage | 100 VDC |
| Insulation Resistance | 1000 MΩ |

Industry Standards

| | |
|---|------------|
| Compatible With Agency/Standards Products | UL |
| UL Rating | Recognized |
| UL Flammability Rating | UL 94V-0 |
| Compatible With Approved Standards Products | UL E28476 |

Packaging Features

| | |
|--------------------|------|
| Packaging Quantity | 2500 |
| Packaging Method | Reel |

Product Compliance

[For compliance documentation, visit the product page on TE.com>](#)

| | |
|---|---|
| EU RoHS Directive 2011/65/EU | Compliant |
| EU ELV Directive 2000/53/EC | Compliant |
| China RoHS 2 Directive MIIT Order No 32, 2016 | No Restricted Materials Above Threshold |
| EU REACH Regulation (EC) No. 1907/2006 | Current ECHA Candidate List: JUNE 2024 (241) Candidate List Declared Against: JUNE 2024 (241) Does not contain REACH SVHC |
| Halogen Content | Not Low Halogen - contains Br or Cl > 900 ppm. |
| Solder Process Capability | Wave solder capable to 265°C |

Product Compliance Disclaimer

This information is provided based on reasonable inquiry of our suppliers and represents our current actual knowledge based on the information they provided. This information is subject to change. The part numbers that TE has identified as EU RoHS compliant have a maximum concentration of 0.1% by weight in homogenous materials for lead, hexavalent chromium, mercury, PBB, PBDE, DBP, BBP, DEHP, DIBP, and 0.01% for cadmium, or qualify for an exemption to these limits as defined in the Annexes of Directive 2011/65/EU (RoHS2). Finished electrical and electronic equipment products will be CE marked as required by Directive 2011/65/EU. Components may not be CE marked. Additionally, the part numbers that TE has identified as EU ELV compliant have a maximum concentration of 0.1% by weight in homogenous materials for lead, hexavalent chromium, and mercury, and 0.01% for cadmium, or qualify for an exemption to these limits as defined in the Annexes of Directive 2000/53/EC (ELV). Regarding the REACH Regulation, the information TE provides on SVHC in articles for this part number is based on the latest European Chemicals Agency (ECHA) 'Guidance on requirements for substances in articles' posted at this URL: <https://echa.europa.eu/guidance-documents/guidance-on-reach>



Compatible Parts



TE Part # CAT-M5833-M2934
Male-on-Board Connector, Micro-MaTch



TE Part # CAT-M5833-M2934A
Male-on-Wire Connector, Micro-MaTch




TE Part # 338095-6
MICRO-MATCH COSIHSG


Also in the Series | Micro-MaTch Industrial



Board-In Connectors(20)



Connector Contacts(4)



Insertion & Extraction Tools(1)



Pluggable I/O Cable Assemblies(52)




Ribbon Cable Connectors(183)

Customers Also Bought



TE Part #2-1393250-7
W28-XQ1A-12=W28



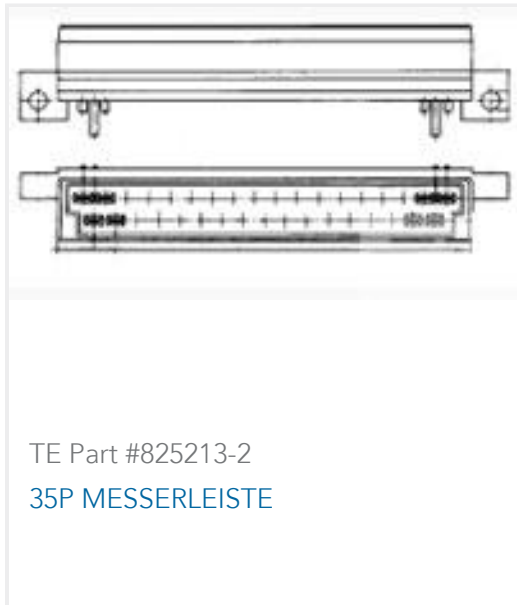
TE Part #090695-000
0026A0024-9X



TE Part #2-215460-0
MICRO-MATCH FEM.SE



TE Part #338070-6
MICRO-MATCH FEM.SE



Documents

Product Drawings

MICRO-MATCH FEM.SE

English

CAD Files

3D PDF

3D

Customer View Model

[ENG_CVM_CVM_215460-6_J.2d_dxf.zip](#)

English

Customer View Model

[ENG_CVM_CVM_215460-6_J.3d_igs.zip](#)

English

Customer View Model

[ENG_CVM_CVM_215460-6_J.3d_stp.zip](#)

English

By downloading the CAD file I accept and agree to the [Terms and Conditions](#) of use.

Datasheets & Catalog Pages

Micro-MaTch Catalog

English

Ribbon Cable Interconnect Solutions

English

Centerline Micro-Match Connector Series

English

Product Specifications



Product Specification

English

Agency Approvals

UL Report

English