

61668-2 ✓ ACTIVE

AMPMODU | UTILUX CR

TE Internal #: 61668-2

Hermaphroditic Contact, Tin, Snap-In Contact Retention, 24 – 18

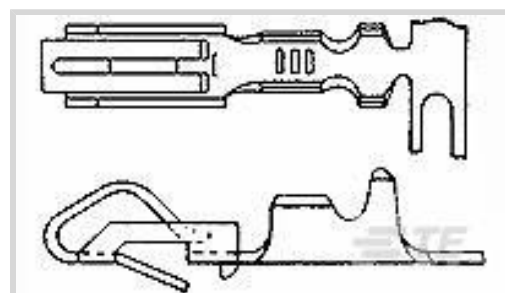
AWG Wire Size, .2 – .8 mm² Wire Size, Crimp, Phosphor Bronze,

Signal, UTILUX CR

[View on TE.com >](#)



Connectors > Contacts > Connector Contacts



Contact Type: **Hermaphroditic**

Contact Mating Area Plating Material: **Tin**

Contact Retention Type Within Housing: **Snap-In**

Wire Size: **.2 – .8 mm²**

Features

Packaging Features

Packaging Method	Box
Packaging Quantity	6000

Dimensions

Compatible Insulation Diameter Range	2.79 mm[.11 in]
Wire Size	.2 – .8 mm ²

Mechanical Attachment

Wire Insulation Support	With
PCB Mount Retention	Without
Contact Retention Type Within Housing	Snap-In

Contact Features

Contact Orientation	Straight
PCB Contact Termination Area Plating Material	Pre-Tin
Contact Type	Hermaphroditic
Contact Mating Area Plating Material	Tin
Contact Base Material	Phosphor Bronze
Contact Current Rating (Max)	6 A

Termination Features

Termination Method to Wire & Cable	Crimp
Product Terminates To	Wire & Cable

Usage Conditions

Operating Temperature Range	-55 – 105 °C[-67 – 221 °F]
-----------------------------	----------------------------

Operation/Application

Circuit Application	Signal
---------------------	--------

Other

EU RoHS Compliance	Compliant
EU ELV Compliance	Compliant

Product Compliance

[For compliance documentation, visit the product page on TE.com>](#)

EU RoHS Directive 2011/65/EU	Compliant
EU ELV Directive 2000/53/EC	Compliant
China RoHS 2 Directive MIIT Order No 32, 2016	No Restricted Materials Above Threshold
EU REACH Regulation (EC) No. 1907/2006	Current ECHA Candidate List: JUNE 2024 (241) Candidate List Declared Against: JUNE 2024 (241) Does not contain REACH SVHC
Halogen Content	Low Halogen - Br, Cl, F, I < 900 ppm per homogenous material. Also BFR/CFR/PVC Free
Solder Process Capability	Not applicable for solder process capability

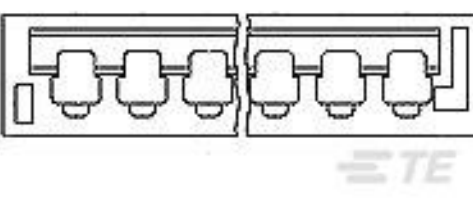
Product Compliance Disclaimer

This information is provided based on reasonable inquiry of our suppliers and represents our current actual knowledge based on the information they provided. This information is subject to change. The part numbers that TE has identified as EU RoHS compliant have a maximum concentration of 0.1% by weight in homogenous materials for lead, hexavalent chromium, mercury, PBB, PBDE, DBP, BBP, DEHP, DIBP, and 0.01% for cadmium, or qualify for an exemption to these limits as defined in the Annexes of Directive 2011/65/EU (RoHS2). Finished electrical and electronic equipment products will be CE marked as required by Directive 2011/65/EU. Components may not be CE marked. Additionally, the part numbers that TE has identified as EU ELV compliant have a maximum concentration of 0.1% by weight in homogenous materials for lead, hexavalent chromium, and mercury, and 0.01% for cadmium, or qualify for an exemption to these limits as defined in the Annexes of Directive 2000/53/EC (ELV). Regarding the REACH Regulation, the information TE provides on SVHC in articles for this part number is based on the latest European Chemicals Agency (ECHA) 'Guidance on requirements for substances in articles' posted at this URL: <https://echa.europa.eu/guidance-documents/guidance-on-reach>

Compatible Parts




TE Part # 2151033-1
OCEAN-2.0-APPLICATOR-S-070F100F-RSM



TE Part # 640136-2
02P EDGE CONN HSG, BIF-LEAF

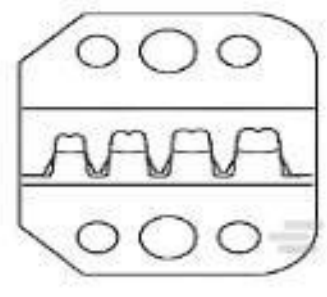


TE Part # 58614-1
PROCRIMP, HT&D SL156



KIT
REPRESENTATION ONLY

TE Part # 7-2151033-7
OCEAN_2.0_SPARE_PART_KIT-070F100F



TE Part # 58614-2
PROCRIMP, DIE, SL156



TE Part # 91597-1
CCII SL-156 REC 24-18 ASSY



TE Part # 2151033-2
OCEAN-2.0-APPLICATOR-S-070F100FA-RSA



TE Part # 2305570-1
Strip Terminal Cutter-Side Feed-No Crimp



TE Part # 2479636-1
EXTRACTION TOOL



TE Part # 5-2151033-1
OCEAN-2.0-APPLICATOR-S-070F100F-RSM



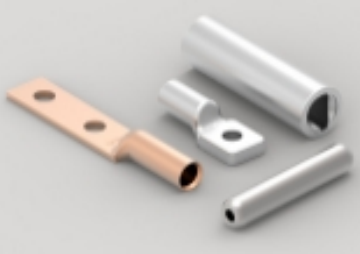
TE Part # 5-2151033-2
OCEAN-2.0-APPLICATOR-S-070F100FA-RSA




KIT
REPRESENTATION ONLY

TE Part # 7-2266602-7
OCEAN_2.0_SPARE_PART_KIT-070F100F

Also in the Series | UTILUX CR



Compression Connectors(4)



Connector Contacts(4)

Customers Also Bought



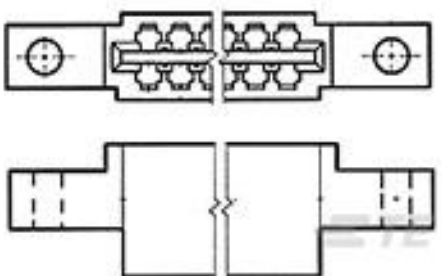
TE Part #6-1393211-5
T92P7D12-12



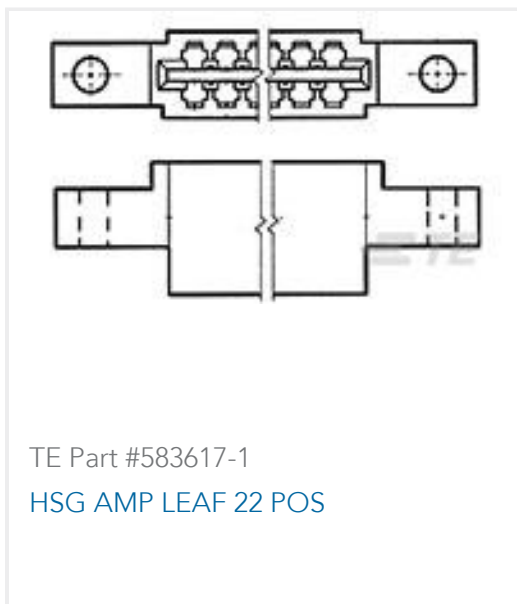
TE Part #5-1393122-5
KHAU-17D12-12=KH



TE Part #350561-1
UMNL PIN 24-18 .0126 PTPBR



TE Part #583680-1
HSG AMP LEAF 15 POS



Documents

Product Drawings

BIF-LEAF CONT CR/SNAP PTPPHBZ

English

CAD Files

Customer View Model

[ENG_CVM_61668-2_AS.3d_igs.zip](#)

English

Customer View Model

[ENG_CVM_61668-2_AS.3d_stp.zip](#)

English

Customer View Model

[ENG_CVM_61668-2_AS.2d_dxf.zip](#)

English

3D PDF

English

By downloading the CAD file I accept and agree to the [Terms and Conditions](#) of use.

Product Specifications

Bifurcated Leaf Contact

English

Application Specification

English