

184022-1 ✓ ACTIVE

AMP | Sealed Sensor Connector SSC System

TE Internal #: 184022-1

Housing for Female Terminals, Wire-to-Board / Wire-to-Device / Wire-to-Wire, 2 Position, 5 mm [.197 in] Centerline, Sealed Sensor Connector SSC System

[View on TE.com >](#)



Connectors > Automotive Connectors > Automotive Housings



Connector System: **Wire-to-Board, Wire-to-Device, Wire-to-Wire**

Number of Positions: **2**

Connector & Housing Type: **Housing for Female Terminals**

Centerline (Pitch): **5 mm [.197 in]**

Sealable: **Yes**

### Features

#### Product Type Features

Connector System	Wire-to-Board, Wire-to-Device, Wire-to-Wire
Connector & Housing Type	Housing for Female Terminals
Sealable	Yes
Primary Locking Feature	Integrated in Housing
Mixed & Hybrid Connector	No
Connector Shape	Rectangular

#### Configuration Features

Number of Positions	2
Number of Rows	1

#### Housing Features

Centerline (Pitch)	5 mm [.197 in]
Housing Material	PBT GF

#### Body Features

Primary Product Color	Black
Connector & Keying Code	M
Cable Exit Angle	180°

#### Mechanical Attachment



Connector Mounting Type	Cable Mount (Free-Hanging)
Strain Relief	Without
Terminal Position Assurance	No
Mating Alignment Type	Keyed
Mating Alignment	With

### Usage Conditions

Operating Temperature (Max)	80 °C, 125 °C, 105 °C, 100 °C, 90 °C, 85 °C, 75 °C, 70 °C, 110 °C, 120 °C[248 °F][221 °F][158 °F][167 °F][230 °F][176 °F][194 °F][185 °F][212 °F][257 °F]
Operating Temperature Range	-40 – 125 °C[-40 – 257 °F]

### Electrical Characteristics

Nominal Voltage Architecture	24 V, 80 V, 90 V, 42 V, 12 V, 48 V, 125 V
Operating Voltage	125 VDC

### Other

Connector Position Assurance Capable	No
EU RoHS Compliance	Compliant
EU ELV Compliance	Compliant
Serviceable	Yes

### Contact Features

Contact Size	1.8mm
--------------	-------

### Dimensions

Product Width	24.05 mm[.947 in]
Product Length	22 mm[.87 in]
Connector Height	27.6 mm[1.09 in]

### Industry Standards

UL Flammability Rating	UL 94HB
------------------------	---------

### Packaging Features

Packaging Quantity	1
Packaging Method	Package

### Product Compliance

[For compliance documentation, visit the product page on TE.com>](#)




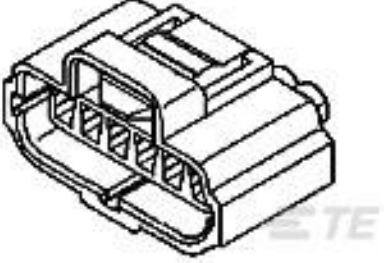






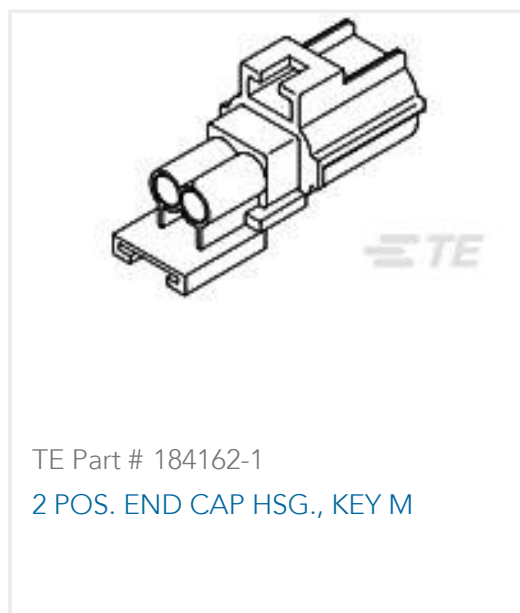
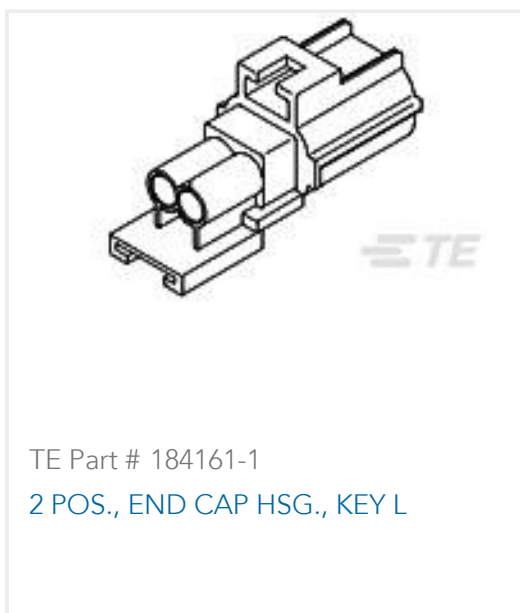
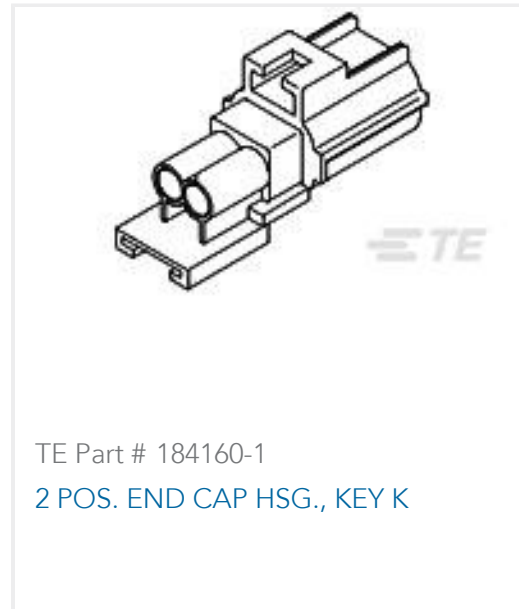
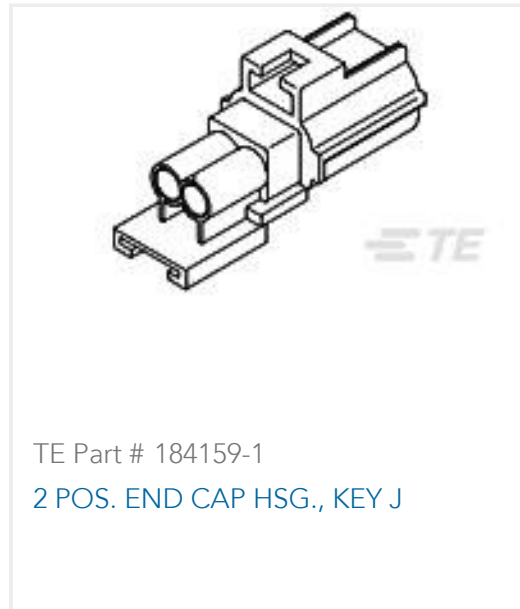
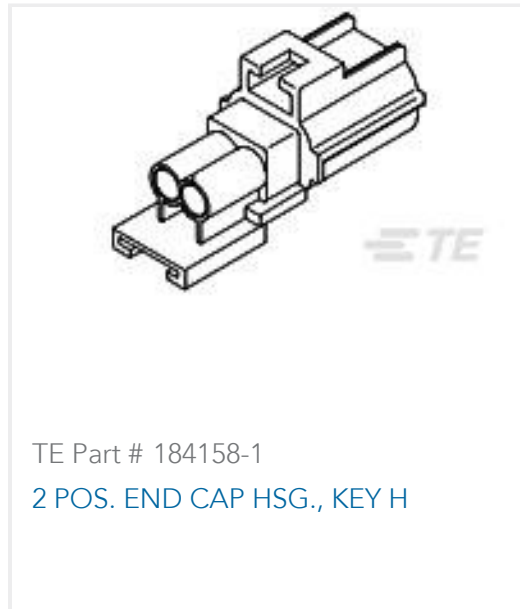
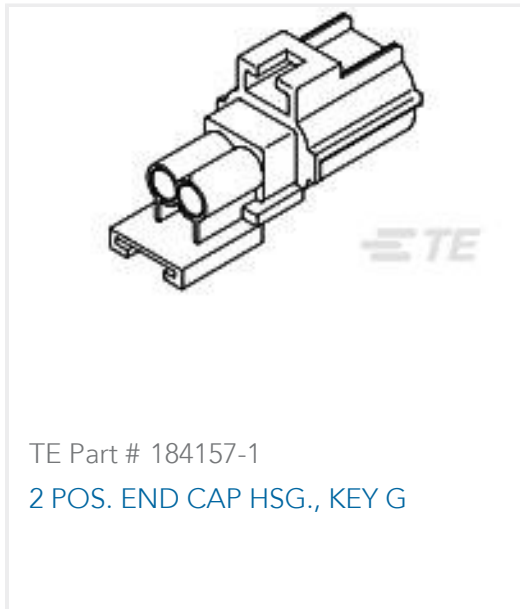
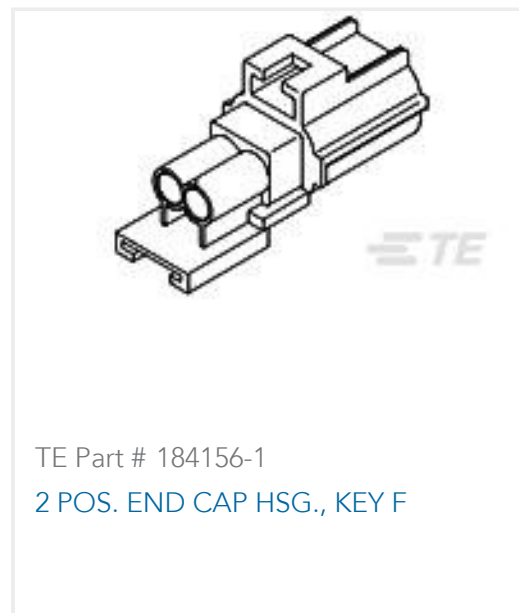
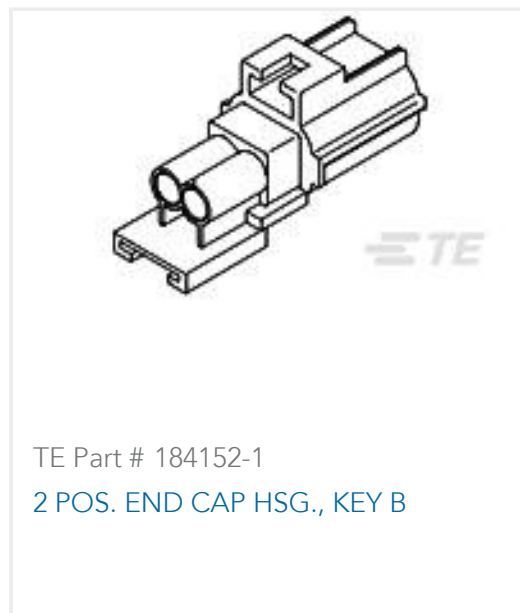
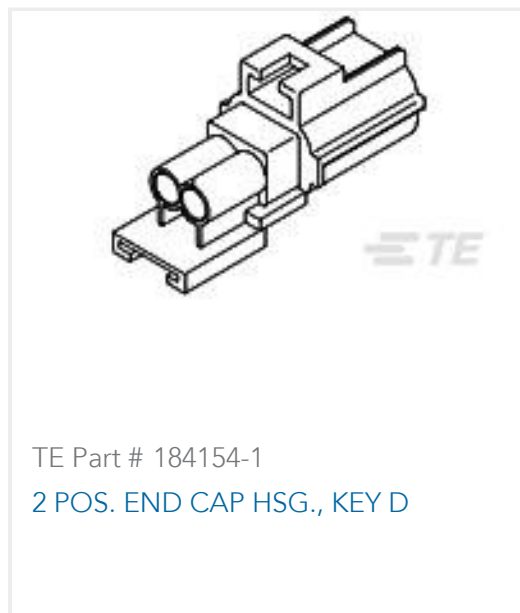
EU RoHS Directive 2011/65/EU	Compliant
EU ELV Directive 2000/53/EC	Compliant
China RoHS 2 Directive MIIT Order No 32, 2016	No Restricted Materials Above Threshold
EU REACH Regulation (EC) No. 1907/2006	Current ECHA Candidate List: JUNE 2024 (241) Candidate List Declared Against: JUNE 2024 (241) Does not contain REACH SVHC
Halogen Content	Low Halogen - Br, Cl, F, I < 900 ppm per homogenous material. Also BFR/CFR/PVC Free
Solder Process Capability	Not reviewed for solder process capability

Product Compliance Disclaimer

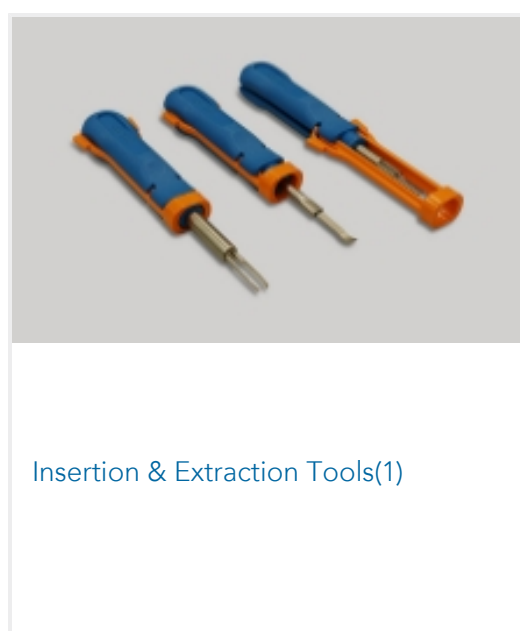
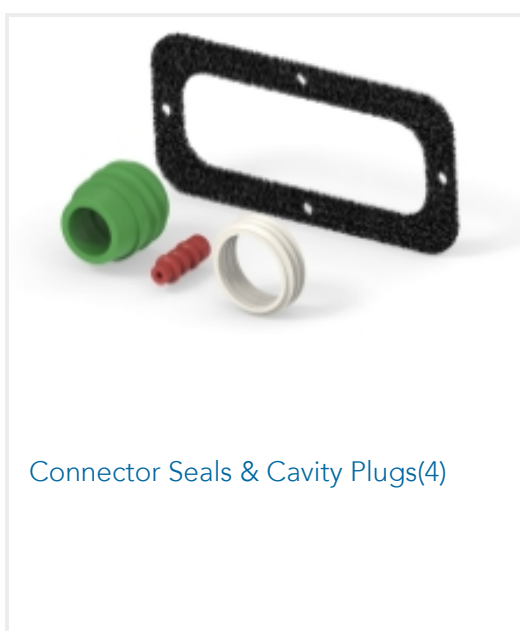
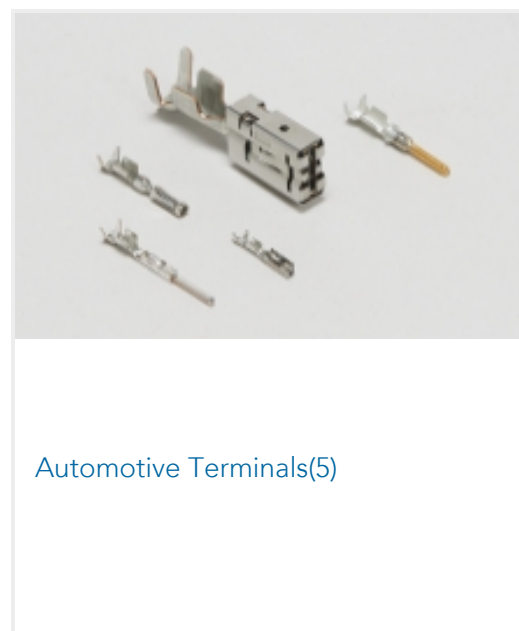
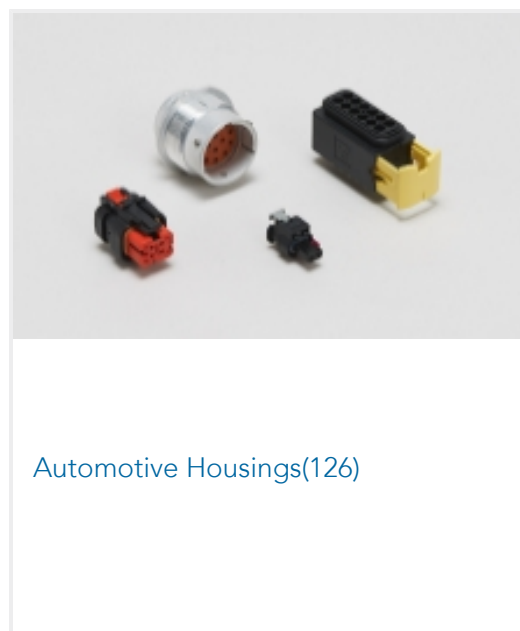
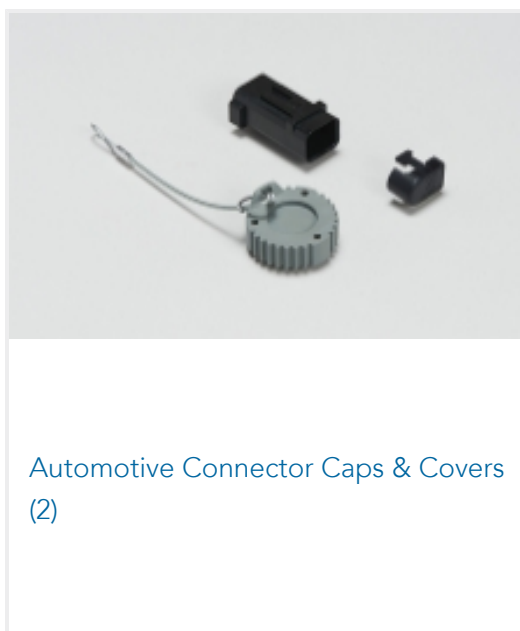
This information is provided based on reasonable inquiry of our suppliers and represents our current actual knowledge based on the information they provided. This information is subject to change. The part numbers that TE has identified as EU RoHS compliant have a maximum concentration of 0.1% by weight in homogenous materials for lead, hexavalent chromium, mercury, PBB, PBDE, DBP, BBP, DEHP, DIBP, and 0.01% for cadmium, or qualify for an exemption to these limits as defined in the Annexes of Directive 2011/65/EU (RoHS2). Finished electrical and electronic equipment products will be CE marked as required by Directive 2011/65/EU. Components may not be CE marked. Additionally, the part numbers that TE has identified as EU ELV compliant have a maximum concentration of 0.1% by weight in homogenous materials for lead, hexavalent chromium, and mercury, and 0.01% for cadmium, or qualify for an exemption to these limits as defined in the Annexes of Directive 2000/53/EC (ELV). Regarding the REACH Regulation, the information TE provides on SVHC in articles for this part number is based on the latest European Chemicals Agency (ECHA) 'Guidance on requirements for substances in articles' posted at this URL: <https://echa.europa.eu/guidance-documents/guidance-on-reach>

### Compatible Parts

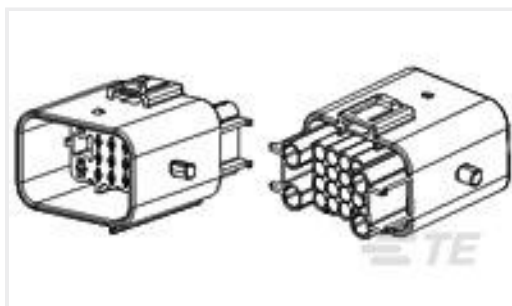
 <p>TE Part # 184141-1 WIRE SEAL,RUBBER,SENSOR,PURPLE, LIM</p>	 <p>TE Part # 184140-1 WIRE SEAL,RUBBER,SENSOR, ORANGE</p>	 <p>TE Part # 184139-1 WIRE SEAL,RUBBER,SENSOR,BLUE</p>	 <p>TE Part # 184060-1 6 POS./6 CIRC PLUG ASSY, KEY A</p>
 <p>TE Part # 184030-3 RECPT, CONTACT 070, PTPPHBZ</p>	 <p>TE Part # 184002-1 2 POS. PLUG ASSY, KEY B, GRAY</p>	 <p>TE Part # 184030-1 RECPT, CONTACT 070, AUPHBZ</p>	 <p>TE Part # 184095-1 RECPT, CONTACT .070, AUPHBZ</p>



Also in the Series | **Sealed Sensor Connector SSC System**



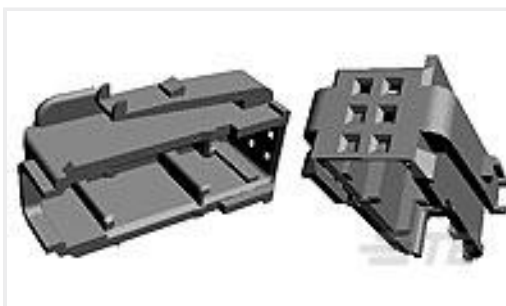
Customers Also Bought



TE Part #936780-2  
MT-II/JPT SLD 20P CAP HSG



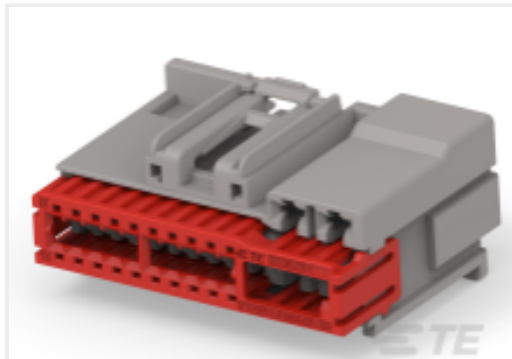
TE Part #2005044-2  
090/250 LIF 39P PLUG ASSY



TE Part #953382-4  
COVER FOR 6W HSG MOS GEN2



TE Part #2137216-1  
3P SPLASH PROOF CONNECTOR ASS'



TE Part #1-2236269-3  
24POS, MIXED, REC HSG,  
20GENYMCP, ASSY, CODC



TE Part #2272976-1  
Left/Right Wire Dress



TE Part #2301239-1  
DTB TAB HSG ASSY, 49POSN.,  
FAKRA TYPE



TE Part #1-2355515-1  
5POS, MCON 1.2, REC HSG ASSY, SLD,  
COD A



TE Part #2293362-1  
MOS ONE PIECE TAB WIRE 0.5-0.75  
EMEA



TE Part #2297494-1  
MOS ONE PIECE TAB 0.22-0.35 EMEA

## Documents

### Product Drawings

2 POS. PLUG ASSY, KEY M, BLACK

English

### CAD Files

3D PDF

3D

Customer View Model

[ENG\\_CVM\\_CVM\\_184022-1\\_B.2d\\_dxf.zip](#)

English

Customer View Model

[ENG\\_CVM\\_CVM\\_184022-1\\_B.3d\\_igs.zip](#)

English

Customer View Model

[ENG\\_CVM\\_CVM\\_184022-1\\_B.3d\\_stp.zip](#)

English

By downloading the CAD file I accept and agree to the [Terms and Conditions](#) of use.

### Product Specifications



### Application Specification

English

---

### Instruction Sheets

#### Instruction Sheet (U.S.)

English

#### Positioning the Double Lock Plate

English