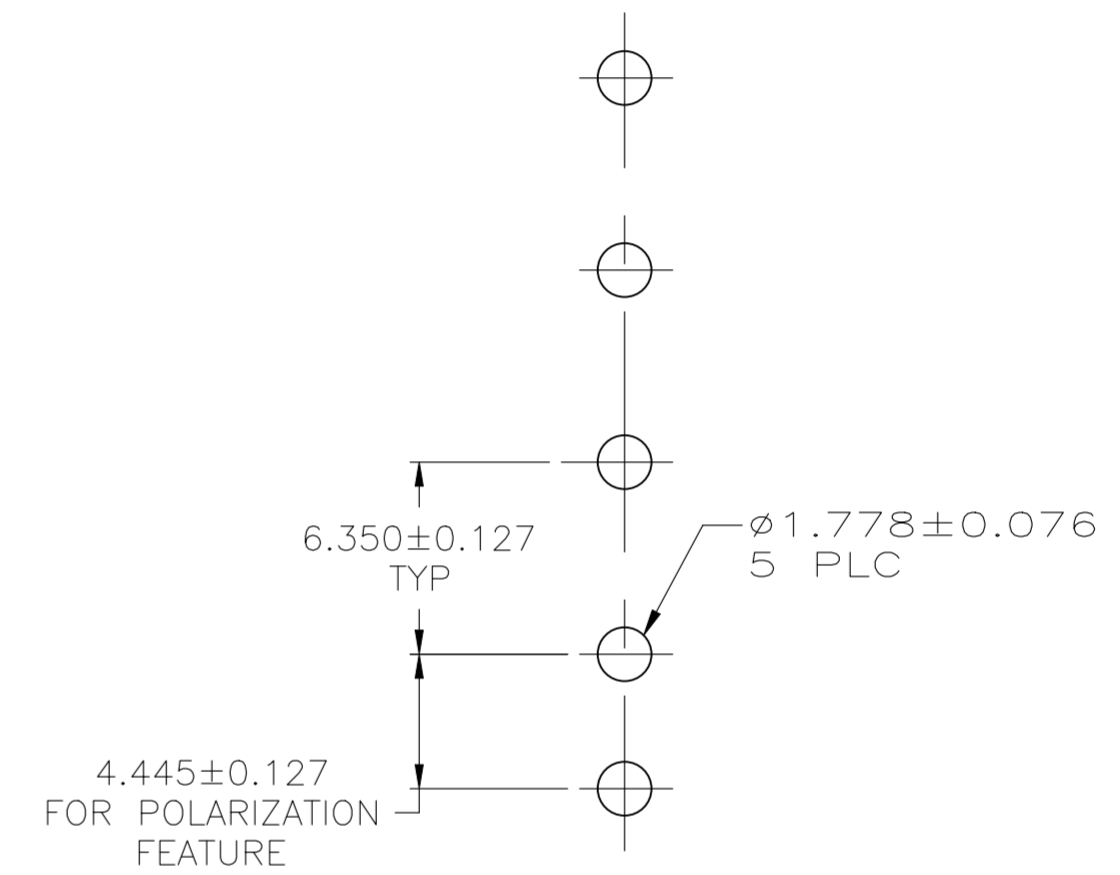
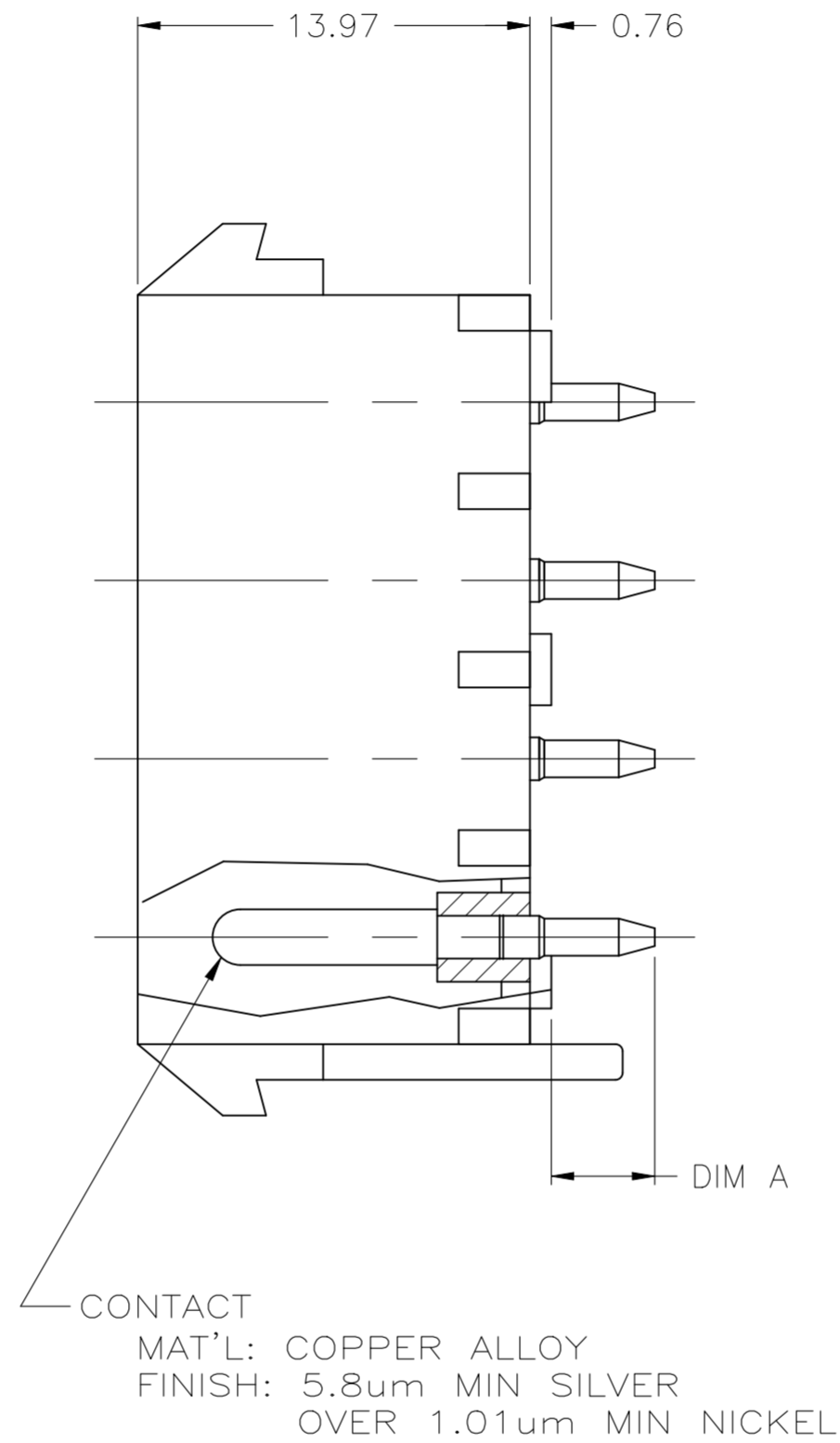
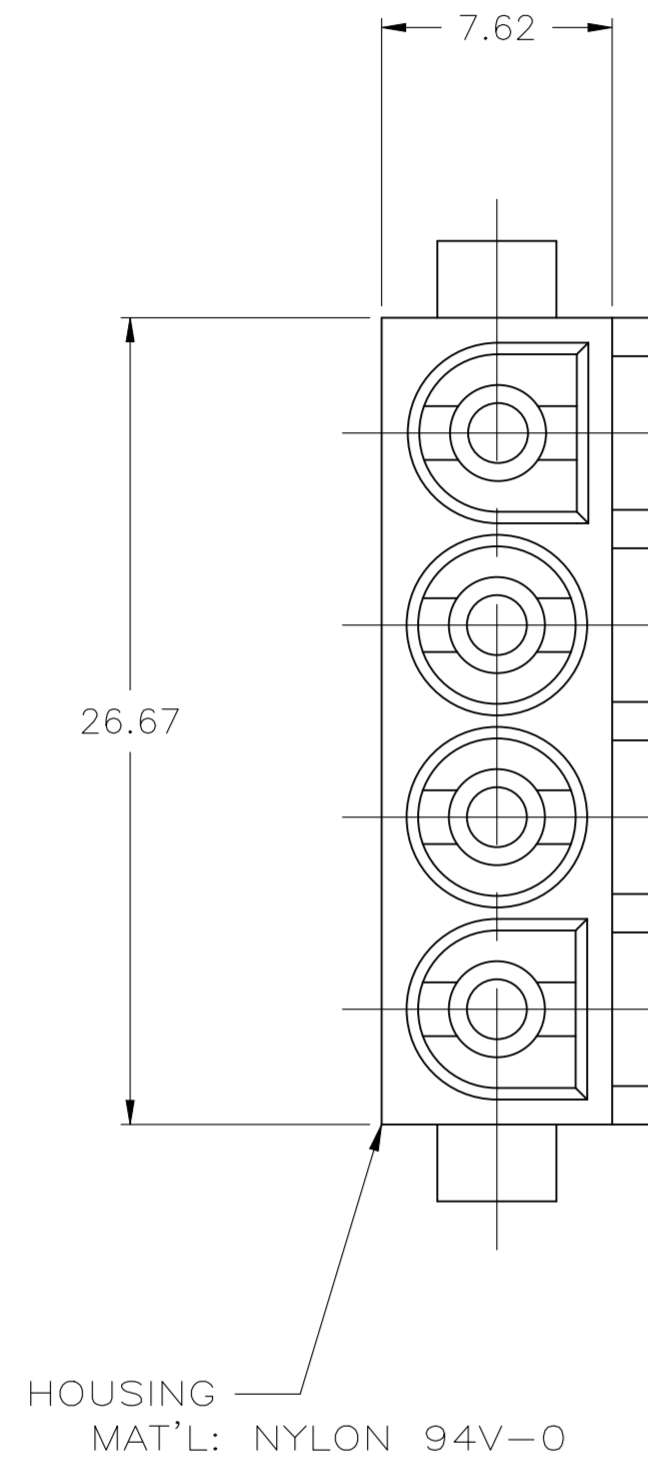


REVISIONS					
P	LTR	DESCRIPTION	DATE	DWN	APVD
D1		REVISED PER ECR-25-246451	16JUN2025	AK	BR

NOTES:

- MATES WITH MATE-N-LOK II PLUG CONNECTOR USING PN 194211-1 OR 194213-1 SOCKET CONTACTS.
- PIN CONTACTS ARE LUBRICATED.
- ALL DIMENSIONS ARE REFERENCE ONLY EXCEPT PC BOARD LAYOUT.



RECOMMENDED LAYOUT FOR
1.57 THICK PC BOARD

	4.32	194234-2
OBSOLETE	3.68	194234-1
	DIM A	PART NO.

THIS DRAWING IS A CONTROLLED DOCUMENT.		DWN RNP	21/FEB/97	TE TE Connectivity	
DIMENSIONS: mm		CHK -	APVD -		
TOLERANCES UNLESS OTHERWISE SPECIFIED:		PRODUCT SPEC -		NAME HIGH CURRENT HEADER ASSY, VERTICAL PIN, LUBRICATED, MATE-N-LOK II, 4 CIRCUIT	
0 PLC ± -		APPLICATION SPEC -		SIZE A2	CAGE CODE 00779
1 PLC ± -		WEIGHT -		DRAWING NO C=194234	
2 PLC ± 0.13		CUSTOMER DRAWING		SCALE 4:1	SHEET 1 of 1
3 PLC ± -				REV D1	
4 PLC ± -					
ANGLES ± 0°30'					
MATERIAL -	FINISH -				