



Connectors > Connector Accessories > Connector Backshells > Circular DIN Backshells



Primary Product Material: **PBT**

Body Orientation: **180**

Sealable: **No**

EU RoHS Compliance: **Compliant**

EU ELV Compliance: **Compliant**

[All Circular DIN Backshells \(16\)](#)

Features

Body Features

Primary Product Material	PBT
Cable Exit Angle	180°
Primary Product Color	Black

Housing Features

Body Orientation	180
------------------	-----

Product Type Features

Sealable	No
----------	----

Other

EU RoHS Compliance	Compliant
EU ELV Compliance	Compliant
Serviceable	Yes

Mechanical Attachment

Strain Relief	With
---------------	------

Dimensions

Compatible Cable Diameter Range	14.4 mm[.567 in]
---------------------------------	------------------

Industry Standards

UL Flammability Rating	UL 94HB
------------------------	---------

Packaging Features

Packaging Method	Box
------------------	-----

Packaging Quantity	400
--------------------	-----

Product Compliance

[For compliance documentation, visit the product page on TE.com>](#)

EU RoHS Directive 2011/65/EU	Compliant
------------------------------	-----------

EU ELV Directive 2000/53/EC	Compliant
-----------------------------	-----------

China RoHS 2 Directive MIIT Order No 32, 2016	No Restricted Materials Above Threshold
---	---

EU REACH Regulation (EC) No. 1907/2006	Current ECHA Candidate List: JUNE 2024 (241) Candidate List Declared Against: JUNE 2024 (241) Does not contain REACH SVHC
--	---

Halogen Content	Low Halogen - Br, Cl, F, I < 900 ppm per homogenous material. Also BFR/CFR/PVC Free
-----------------	---

Solder Process Capability	Not reviewed for solder process capability
---------------------------	--

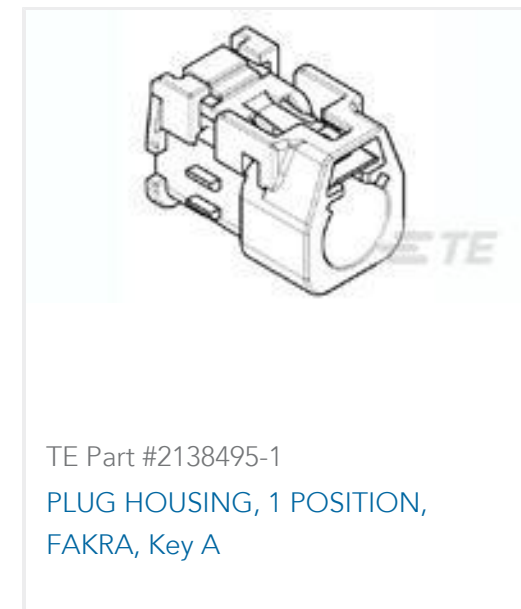
Product Compliance Disclaimer

This information is provided based on reasonable inquiry of our suppliers and represents our current actual knowledge based on the information they provided. This information is subject to change. The part numbers that TE has identified as EU RoHS compliant have a maximum concentration of 0.1% by weight in homogenous materials for lead, hexavalent chromium, mercury, PBB, PBDE, DBP, BBP, DEHP, DIBP, and 0.01% for cadmium, or qualify for an exemption to these limits as defined in the Annexes of Directive 2011/65/EU (RoHS2). Finished electrical and electronic equipment products will be CE marked as required by Directive 2011/65/EU. Components may not be CE marked. Additionally, the part numbers that TE has identified as EU ELV compliant have a maximum concentration of 0.1% by weight in homogenous materials for lead, hexavalent chromium, and mercury, and 0.01% for cadmium, or qualify for an exemption to these limits as defined in the Annexes of Directive 2000/53/EC (ELV). Regarding the REACH Regulation, the information TE provides on SVHC in articles for this part number is based on the latest European Chemicals Agency (ECHA) 'Guidance on requirements for substances in articles' posted at this URL: <https://echa.europa.eu/guidance-documents/guidance-on-reach>

Compatible Parts



Customers Also Bought



Documents

Product Drawings

[ADAPTER 180DEG 4/7POS](#)

English

CAD Files

[Customer View Model](#)

[ENG_CVM_1534791-1_A1.3d_igs.zip](#)

English

[Customer View Model](#)



[ENG_CVM_1534791-1_A1.3d_stp.zip](#)

English

Customer View Model

[ENG_CVM_1534791-1_A1.2d_dxf.zip](#)

English

3D PDF

English

By downloading the CAD file I accept and agree to the [Terms and Conditions](#) of use.

Datasheets & Catalog Pages

TERMINALS AND CONNECTORS

English

[HDSCS Catalog](#)

English

[CONNECTOR SELECTOR](#)

English

Product Specifications

[Application Specification](#)

English