



SOLISTRAND

TE Internal #: 36948

Parallel Splice, 2/0 AWG Wire Size, 67 – 70 mm² Wire Size,
Standard, 12.8 mm [.504 in] Barrel Inside Diameter, 119500 – 150500
CMA Wire Size, Splices

[View on TE.com >](#)

Terminals & Splices > Splices



Splice Type: **Parallel Splice**

Wire Size: **67 – 70 mm²**

Sealable: **No**

Splice Features: **Standard**

Features

Packaging Features

Packaging Quantity	50
Packaging Method	Loose Piece

Contact Features

Terminal Plating Material	100 μin
Terminal Plating Material	Tin
Contact Base Material	Copper
Barrel Type	Closed

Body Features

Product Weight	18.285 g
Splice Features	Standard

Dimensions

Outside Diameter	17.86 mm[.703 in]
Wire Size	119500 – 150500 CMA
Barrel Inside Diameter	12.8 mm[.504 in]



Terminal Material Thickness	2.11 mm[.083 in]
-----------------------------	------------------

Product Length	18.64 mm[.734 in]
----------------	-------------------

Product Type Features

Splice Accessory Type	Splice
-----------------------	--------

Splice Type	Parallel Splice
-------------	-----------------

Sealable	No
----------	----

Compatible With Discrete Wire Type	Solid, Stranded
------------------------------------	-----------------

Wire Insulation Support Retention Type	Non-Insulation Support
--	------------------------

Configuration Features

Compatible With Wire & Cable Type	Discrete Wire
-----------------------------------	---------------

Mechanical Attachment

Wire Insulation Support	Without
-------------------------	---------

Usage Conditions

Insulation Option	Uninsulated
-------------------	-------------

Operating Temperature Range	170 °C[338 °F]
-----------------------------	----------------

Operation/Application

Compatible With Wire Base Material	Copper
------------------------------------	--------

Industry Standards

Government Qualified Splice	No
-----------------------------	----

Other

EU RoHS Compliance	Compliant
--------------------	-----------

EU ELV Compliance	Compliant
-------------------	-----------

Product Compliance

[For compliance documentation, visit the product page on TE.com>](#)

EU RoHS Directive 2011/65/EU	Compliant
------------------------------	-----------

EU ELV Directive 2000/53/EC	Compliant
-----------------------------	-----------

China RoHS 2 Directive MIIT Order No 32, 2016	No Restricted Materials Above Threshold
---	---

EU REACH Regulation (EC) No. 1907/2006	Current ECHA Candidate List: JUNE 2024 (241) Candidate List Declared Against: JUNE 2024 (241) Does not contain REACH SVHC
--	---





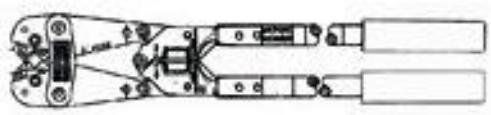
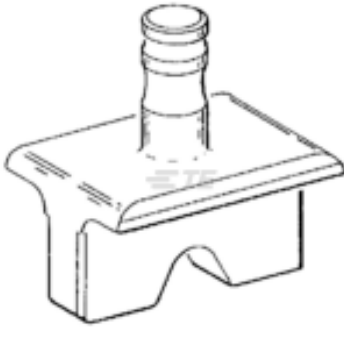


Halogen Content	Low Halogen - Br, Cl, F, I < 900 ppm per homogenous material. Also BFR/CFR/PVC Free
Solder Process Capability	Not applicable for solder process capability

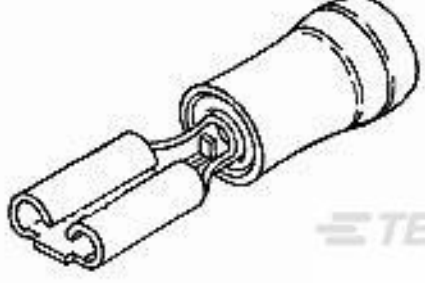
Product Compliance Disclaimer

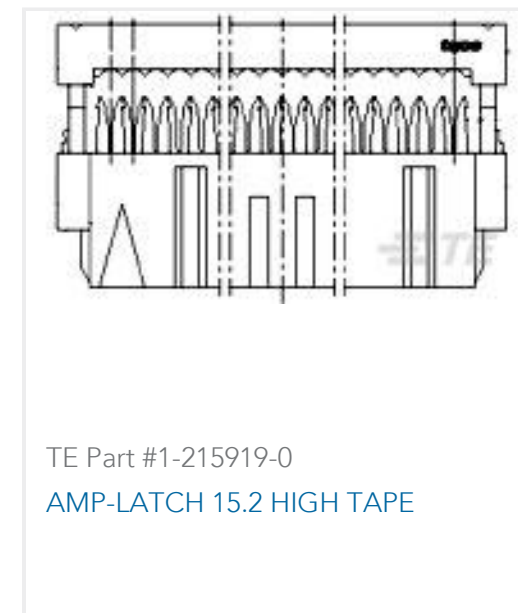
This information is provided based on reasonable inquiry of our suppliers and represents our current actual knowledge based on the information they provided. This information is subject to change. The part numbers that TE has identified as EU RoHS compliant have a maximum concentration of 0.1% by weight in homogenous materials for lead, hexavalent chromium, mercury, PBB, PBDE, DBP, BBP, DEHP, DIBP, and 0.01% for cadmium, or qualify for an exemption to these limits as defined in the Annexes of Directive 2011/65/EU (RoHS2). Finished electrical and electronic equipment products will be CE marked as required by Directive 2011/65/EU. Components may not be CE marked. Additionally, the part numbers that TE has identified as EU ELV compliant have a maximum concentration of 0.1% by weight in homogenous materials for lead, hexavalent chromium, and mercury, and 0.01% for cadmium, or qualify for an exemption to these limits as defined in the Annexes of Directive 2000/53/EC (ELV). Regarding the REACH Regulation, the information TE provides on SVHC in articles for this part number is based on the latest European Chemicals Agency (ECHA) 'Guidance on requirements for substances in articles' posted at this URL: <https://echa.europa.eu/guidance-documents/guidance-on-reach>

Compatible Parts

 <p>TE Part # 1490413-6 HYP10 SOLIS 2/0AWG NEST</p>	 <p>TE Part # 1490414-3 HYP10 SOLIS HD 1/0AWG INDENTER</p>	 <p>TE Part # 48131 HYP8 SOLIS 1/0-4/0AWG INDENTER</p>	 <p>TE Part # 45439 HYP8/10 SOLIS 2/0AWG DIE SET</p>
 <p>TE Part # 600850 ROTO-CRIMP TOOL (ASI)</p>	 <p>TE Part # 48133 HYP8 SOLIS 2/0AWG NEST</p>		

Customers Also Bought

 <p>TE Part #61060-1 RECEPT,PIDG FASTON 22-18 110</p>	 <p>TE Part #34320 SPLICE,SOLIS PARA 4</p>	 <p>TE Part #40523 RING TERMINAL 12-10 AWG TPBR</p>	 <p>TE Part #925553-1 AM WIRE PIN 17-13 .013 BR</p>
--	---	--	--



Documents

Product Drawings

[SPLICE,SOLIS PARA 2/0](#)

English

CAD Files

Customer View Model

[ENG_CVM_CVM_36948_J.2d_dxf.zip](#)

English

[3D PDF](#)

3D

Customer View Model

[ENG_CVM_CVM_36948_J.3d_igs.zip](#)

English

Customer View Model

[ENG_CVM_CVM_36948_J.3d_stp.zip](#)

English

By downloading the CAD file I accept and agree to the [Terms and Conditions](#) of use.

Instruction Sheets

[Instruction Sheet \(U.S.\)](#)

English

Agency Approvals

[UL Report](#)

English

[UL Report](#)

English

36948

Parallel Splice, 2/0 AWG Wire Size, 67 – 70 mm² Wire Size, Standard, 12.8 mm [.504 in] Barrel Inside Diameter, 119500 – 150500 CMA Wire Size, Splices

