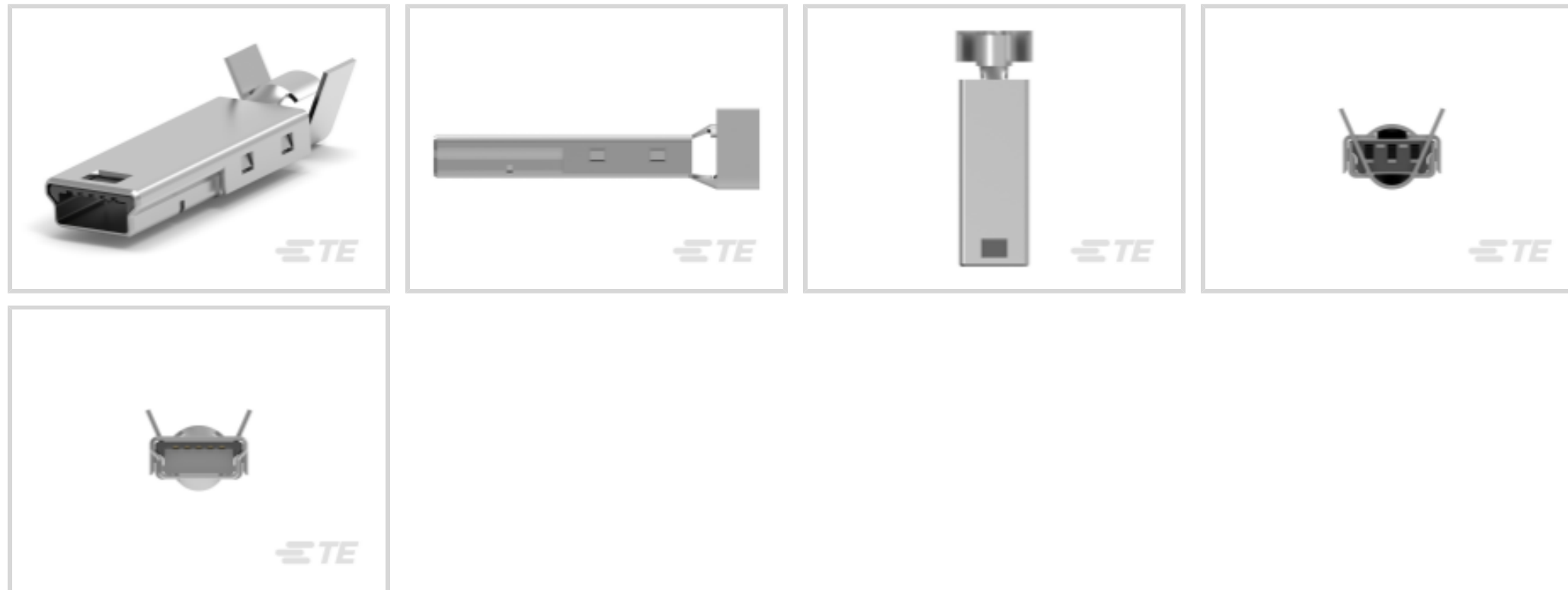




Connectors > Audio & Video Connectors > USB Connectors



USB Adapter Type: **B**

USB Version: **2.0**

Connector Profile: **Mini**

Connector & Housing Type: **Plug**

Number of Ports: **1**

Features

Product Type Features

USB Adapter Type	B
USB Version	2.0
Connector & Housing Type	Plug
Connector System	Cable-to-Board
Connector & Contact Terminates To	Wire & Cable
USB Connector Type	Mini USB 2.0 Type-B
Integral Locking Latch	Without

Body Features

Connector Profile	Mini
Shell Plating Material	Nickel over Copper
Offset	0 mm

Configuration Features

Number of Ports	1
Number of Positions	5

Mechanical Attachment



PCB Mount Location	Cable Mount
PCB Connector Seating	Flush
PCB Mount Retention Type	None
Connector Mounting Type	Cable Mount (Free-Hanging)
Locking Feature	Without

Packaging Features

Packaging Method	Bag
Packaging Quantity	1000

Usage Conditions

Mating Cycles (Max)	5000
Operating Temperature Range	-40 – 85 °C[-40 – 185 °F]

Housing Features

Centerline (Pitch)	.8 mm[.031 in]
Housing Color	Black
Housing Material	PBT

Contact Features

Contact Current Rating (Max)	1 A
Contact Mating Area Plating Material	Gold Flash over Palladium Nickel
Contact Mating Area Plating Material Thickness	.76 µm[29.92 µin]

Operation/Application

Circuit Application	Power & Signal
Halogen Free	No

Other

EU RoHS Compliance	Compliant
EU ELV Compliance	Compliant

Industry Standards

UL Flammability Rating	UL 94V-0
Industry Standard	USB 2.0
Moisture Sensitivity Level	1

Product Compliance

For compliance documentation, visit the product page on [TE.com](#)>



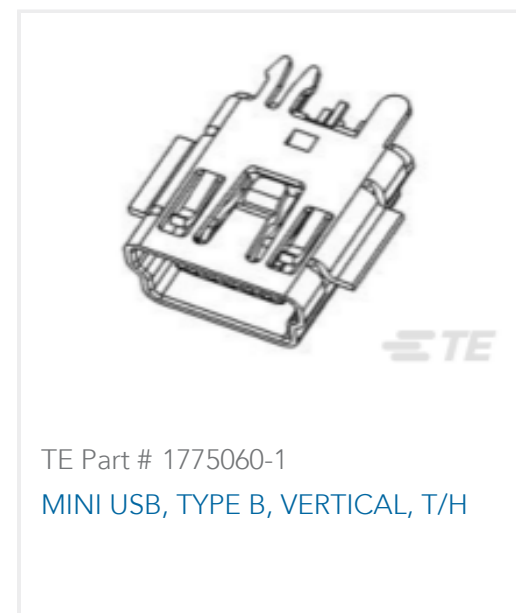
EU RoHS Directive 2011/65/EU	Compliant
EU ELV Directive 2000/53/EC	Compliant
China RoHS 2 Directive MIIT Order No 32, 2016	No Restricted Materials Above Threshold
EU REACH Regulation (EC) No. 1907/2006	Current ECHA Candidate List: JUNE 2024 (241) Candidate List Declared Against: JUNE 2024 (241) Does not contain REACH SVHC
Halogen Content	Not Low Halogen - contains Br or Cl > 900 ppm.
Solder Process Capability	Not applicable for solder process capability

Product Compliance Disclaimer

This information is provided based on reasonable inquiry of our suppliers and represents our current actual knowledge based on the information they provided. This information is subject to change. The part numbers that TE has identified as EU RoHS compliant have a maximum concentration of 0.1% by weight in homogenous materials for lead, hexavalent chromium, mercury, PBB, PBDE, DBP, BBP, DEHP, DIBP, and 0.01% for cadmium, or qualify for an exemption to these limits as defined in the Annexes of Directive 2011/65/EU (RoHS2). Finished electrical and electronic equipment products will be CE marked as required by Directive 2011/65/EU. Components may not be CE marked. Additionally, the part numbers that TE has identified as EU ELV compliant have a maximum concentration of 0.1% by weight in homogenous materials for lead, hexavalent chromium, and mercury, and 0.01% for cadmium, or qualify for an exemption to these limits as defined in the Annexes of Directive 2000/53/EC (ELV). Regarding the REACH Regulation, the information TE provides on SVHC in articles for this part number is based on the latest European Chemicals Agency (ECHA) 'Guidance on requirements for substances in articles' posted at this URL: <https://echa.europa.eu/guidance-documents/guidance-on-reach>

Compatible Parts





Customers Also Bought





Documents

CAD Files

Customer View Model

[ENG_CVM_CVM_1734205-1_B.2d_dxf.zip](#)

English

3D PDF

3D

Customer View Model

[ENG_CVM_CVM_1734205-1_B.3d_igs.zip](#)

English

Customer View Model

[ENG_CVM_CVM_1734205-1_B.3d_stp.zip](#)

English

By downloading the CAD file I accept and agree to the [Terms and Conditions](#) of use.

Datasheets & Catalog Pages

Products for Mobile Equipment

English

USB Quick Reference Guide (English)

English

Product Specifications

Product Specification

English