

66261-4 ✓ ACTIVE

AMP

TE Internal #: 66261-4

Tab Contact, Silver, 14 – 12 AWG / 16 AWG Wire Size, 1.25 – 1.4 mm² / 2 – 3 mm² Wire Size, Crimp, Copper, Power, -40 – 85 °C [-40 – 185 °F]

[View on TE.com >](#)



Connectors > Contacts > Connector Contacts



Contact Type: **Tab**

Contact Mating Area Plating Material: **Silver**

Wire Contact Termination Area Plating Material: **Silver**

Wire Size: **2 – 3 mm², 1.25 – 1.4 mm²**

Features

Mechanical Attachment

Wire Insulation Support	With
-------------------------	------

Packaging Features

Packaging Quantity	100
Packaging Method	Bag

Dimensions

Compatible Insulation Diameter Range	3.43 – 4.06 mm [.135 – .16 in]
Wire Size	2 – 3 mm ² , 1.25 – 1.4 mm ²

Contact Features

Contact Underplating Material	Copper
Contact Orientation	Right Angle
Contact Mating Area Plating Material Thickness	2.54 μm [100 μin]
Wire Contact Termination Area Plating Material Finish	Bright
Mating Tab Width	5.84 mm [.23 in]
Mating Tab Thickness	2.67 mm [.105 in]
Wire Contact Termination Area Plating Thickness	2.54 μm [100 μin]
Contact Type	Tab
Contact Mating Area Plating Material	Silver
Wire Contact Termination Area Plating Material	Silver
Contact Base Material	Copper



Contact Current Rating (Max)	35 A
------------------------------	------

Termination Features

Termination Method to Wire & Cable	Crimp
Product Terminates To	Wire & Cable

Usage Conditions

Operating Temperature Range	-40 – 85 °C [-40 – 185 °F]
-----------------------------	----------------------------

Operation/Application

Circuit Application	Power
---------------------	-------

Other

EU RoHS Compliance	Compliant
EU ELV Compliance	Compliant

Product Compliance

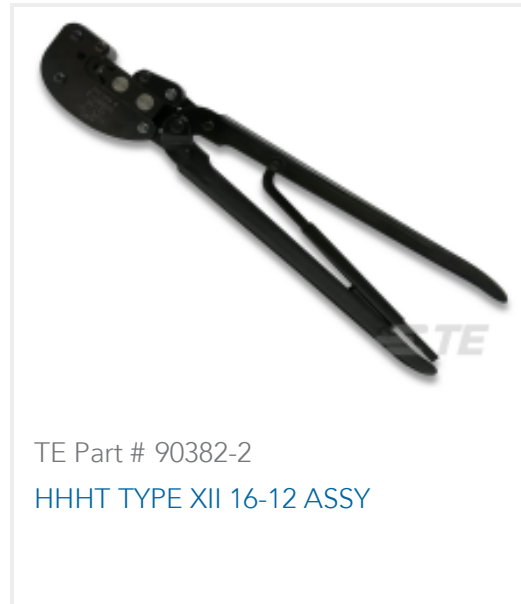
[For compliance documentation, visit the product page on TE.com>](#)

EU RoHS Directive 2011/65/EU	Compliant
EU ELV Directive 2000/53/EC	Compliant
China RoHS 2 Directive MIIT Order No 32, 2016	No Restricted Materials Above Threshold
EU REACH Regulation (EC) No. 1907/2006	Current ECHA Candidate List: JUNE 2024 (241) Candidate List Declared Against: JUNE 2024 (241) Does not contain REACH SVHC
Halogen Content	Low Halogen - Br, Cl, F, I < 900 ppm per homogenous material. Also BFR/CFR/PVC Free
Solder Process Capability	Not applicable for solder process capability

Product Compliance Disclaimer

This information is provided based on reasonable inquiry of our suppliers and represents our current actual knowledge based on the information they provided. This information is subject to change. The part numbers that TE has identified as EU RoHS compliant have a maximum concentration of 0.1% by weight in homogenous materials for lead, hexavalent chromium, mercury, PBB, PBDE, DBP, BBP, DEHP, DIBP, and 0.01% for cadmium, or qualify for an exemption to these limits as defined in the Annexes of Directive 2011/65/EU (RoHS2). Finished electrical and electronic equipment products will be CE marked as required by Directive 2011/65/EU. Components may not be CE marked. Additionally, the part numbers that TE has identified as EU ELV compliant have a maximum concentration of 0.1% by weight in homogenous materials for lead, hexavalent chromium, and mercury, and 0.01% for cadmium, or qualify for an exemption to these limits as defined in the Annexes of Directive 2000/53/EC (ELV). Regarding the REACH Regulation, the information TE provides on SVHC in articles for this part number is based on the latest European Chemicals Agency (ECHA) 'Guidance on requirements for substances in articles' posted at this URL: <https://echa.europa.eu/guidance-documents/guidance-on-reach>

Compatible Parts



TE Part # 90382-2
HHHT TYPE XII 16-12 ASSY



TE Part # 69710-1
C-HEAD FRAME W/O DIES




TE Part # 7-1579008-6
UNLOCKING TOOL



TE Part # 206037-2
CPC PLUG ASSEMBLY SIZE 17-3



TE Part # 66740-2
TYPE XII FEMALE CONT (L.P.)



TE Part # 90145-2
TYPE XII MALE FEMALE ASSY 16-14 DIE SET



TE Part # 90145-1
TYPE XII MALE FEMALE ASSY 14-12 DIE SET



TE Part # 2063487-1
SDE TYPE III+ 0.2-2.5mm² ASSY



TE Part # 2063487-2
SDE TYPE III+ 0.2-2.5mm² DIE SET



TE Part # 2217484-1
KIT, BTLI, HEAVY HEAD



TE Part # 2217484-2
KIT, BTLI, HEAVY HEAD

Customers Also Bought



TE Part #206227-1
23-7 RECEPT REV SEX



TE Part #207486-2
RECEPT,SZ 23-16,CPC



TE Part #206136-1
CPC PLUG ASSEMBLY SIZE 23-7



TE Part #206425-1
17-3 RECPT. REV SEX



TE Part #3-1393243-2
RTE44012



TE Part #66262-4
MALE CONTACT ASSY. (L.P.)



TE Part #3-644611-5
05P MTA156 HDR POL WO PEGS LF



TE Part #CD64963001
VG-95218-T021-C010



Documents

Product Drawings

MALE CONTACT ASSY. (L.P.)

English

CAD Files

Customer View Model

[ENG_CVM_66261-4_Y.3d_igs.zip](#)

English

Customer View Model

[ENG_CVM_66261-4_Y.3d_stp.zip](#)

English

Customer View Model

[ENG_CVM_66261-4_Y.2d_dxf.zip](#)

English

3D PDF

English

By downloading the CAD file I accept and agree to the [Terms and Conditions](#) of use.

Datasheets & Catalog Pages

AMP Circular Connectors for Commercial Signal & Power Applications

English

Power Contacts

English

M_SERIES_PIN_AND_SOCKET_CONNECTORS

English

Product Specifications

Application Specification

English

Instruction Sheets

Instruction Sheet (U.S.)

English

Instruction Sheet (U.S.)

English

66261-4

Tab Contact, Silver, 14 – 12 AWG / 16 AWG Wire Size, 1.25 – 1.4 mm² / 2 – 3 mm²
Wire Size, Crimp, Copper, Power, -40 – 85 °C [-40 – 185 °F]



Agency Approvals

UL

English