

PRODUCT NUMBER
10082202-YXX-XXLF

PLATING
(AS AVAILABLE)

1= 0.76µm GOLD/GXT ON CONTACT AREA, 2µm TIN MIN ON TAILS

4= 2.0µm TIN MIN FULL PLATED

8= 0.38µm GOLD/GXT ON CONTACT AREA, 2µm TIN MIN ON TAILS

1.27µm NICKEL MIN UNDERLAYER FOR ALL PLATING VERSIONS

RoHS COMPATIBLE, SEE NOTE 7

TOTAL NB OF POSITIONS
04 TO 72

PACKAGING, SEE NOTE 3
(MAY BE SUBJECT TO TOOLING FEES)

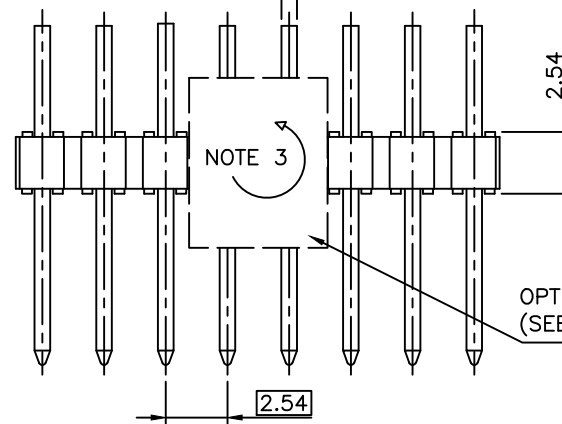
PIN STYLE, SEE TABLE
(AS AVAILABLE)

| PIN STYLE | DIM "B" | MATING SIDE |
|-----------|---------|-------------|
| 01 | 2.50 | 5.84 |
| 02 | 2.50 | 6.75 |
| 03 | 3.00 | 5.84 |
| 04 | 3.00 | 6.75 |
| 05 | 2.90 | 8.80 |
| 06 | 3.05 | 8.07 |
| 07 | 3.50 | 3.50 |

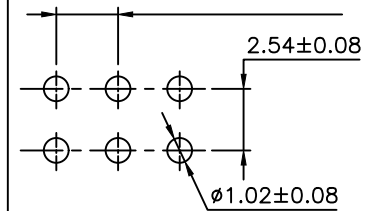
EXTENDED RANGE

- TOOLING FEASIBILITY CONFIRMED
- SAMPLES ON DEMAND
- AVAILABILITY ON DEMAND

0.62 SQUARE



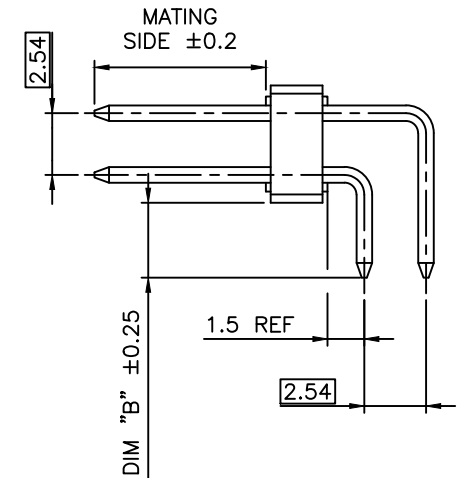
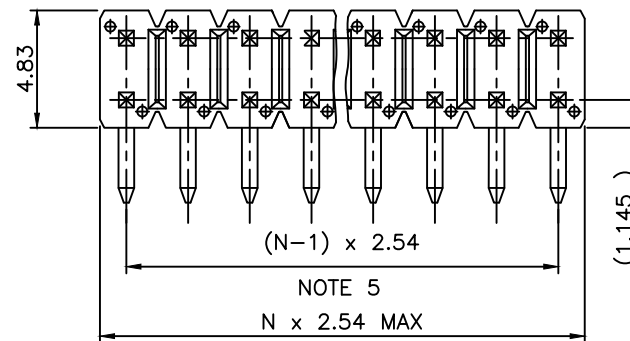
2.54±0.08
NON-ACCUM TYP



RECOMMENDED HOLE PATTERN

NOTES:

- HOUSING MATERIAL : HIGH TEMPERATURE THERMOPLASTIC. UL94V-0 COLOR: BLACK
- PIN MATERIAL : PHOSPHOR BRONZE
- PACKAGING :
 - = POLYBAGS
 - A = TAPE & REEL WITH CAP, AS AVAILABLE
- 9N MIN RETENTION IN EITHER DIRECTION
- TO DETERMINE DIMENSIONS :
N = NUMBER OF POSITIONS PER ROW
EXAMPLE : 8 POS N x 2.54 = 20.32mm
- UNDERPLATING : 1.27µm Ni MIN
- RoHS COMPATIBLE PRODUCT SPECIFICATIONS
 - PLATING:
 - "LF" MEANS THE PRODUCT IS LEAD-FREE, 2µm MINIMUM MATTE TIN OVER 1.27µm MINIMUM NICKEL UNDERPLATE.
 - MANUFACTURING PROCESS COMPATIBILITY
 - THE HOUSING WILL WITHSTAND EXPOSURE TO 260°C PEAK TEMP FOR 30 SECONDES IN A CONVECTION, INFRARED, OR VAPOR REFLOW OVEN
 - LABELING:
 - MEETS PACKAGING SPECS AS PER GS-14-920
 - LEGAL STATEMENT: SEE GS-47-0004
- THIS PART SERIES IS NOT INITIALLY INTENDED FOR AUTOMOTIVE APPLICATIONS. ADDITIONAL FEES ARE CHARGEABLE FOR ANY ADDITIONAL QUALIFICATION AND TEST REPORTS PERFORMED OUTSIDE THE SCOPE OF THE STANDARD PRODUCT SPECIFICATIONS.
- UNLESS OTHERWISE APPROVED BY AMPHENOL, ALL PARTS AND COMPONENTS ARE DESIGNED & BUILT ACCORDING TO AMPHENOL'S SPECIFICATIONS WHICH ARE SUBJECT TO CHANGE WITHOUT NOTICE.



| mat'l. code | | surface | | tolerance | | projection | product family | |
|-------------|----------|------------|----------|---------------------------------------|-------------|------------|--------------------|--|
| SEE NOTES | | ISO 1302 ✓ | | ISO 406 ISO 1101 | | | BERGSTIK | |
| ltr | ecn no | dr | date | tolerances unless otherwise specified | | mm | title | |
| A | F08-0104 | LMU | 08.01.15 | angles | linear | | UNSHR.HEADER | |
| B | F08-0129 | LMU | 08.02.22 | | | scale 5:1 | RA DR PIN IN PASTE | |
| C | F09-0072 | JCO | 09.07.23 | | | | dwg no | |
| D | B-18990 | LMU | 14.10.06 | dr | L.MULIN | 08.01.15 | sheet 1 of 1 size | |
| E | B-20031 | AMA | 15.01.20 | engr | J.COMPAGNON | 08.01.15 | 10082202 A3 | |
| F | F-23188 | AMA | 16.02.01 | chr | | | type | |
| G | F-55066 | DDE | 25.03.20 | appd | J.COMPAGNON | 08.01.15 | CUSTOMER Drawing | |
| sheet | revision | | | | | | | |
| index | sheet | | | | | | | |