

5745185-1 ✓ ACTIVE

AMPLIMITE | AMPLIMITE HD-20

TE Internal #: 5745185-1

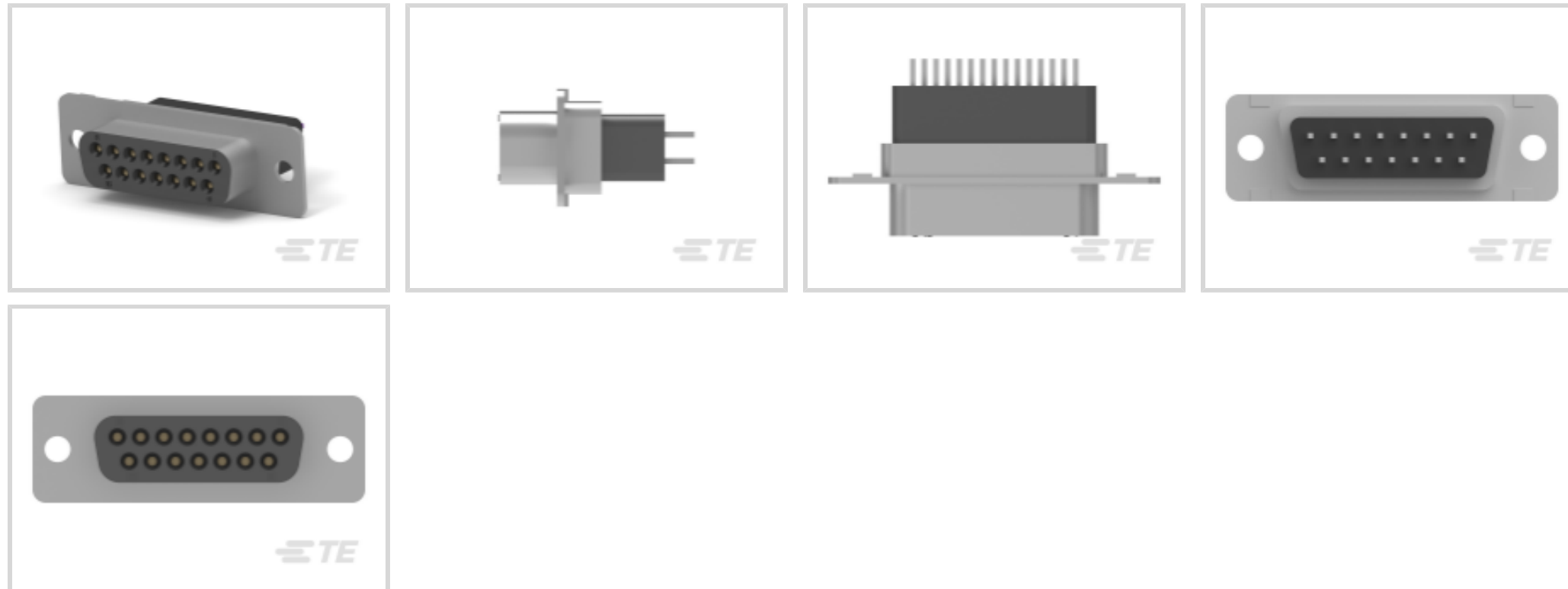
Receptacle, Board-to-Board, 15 Position, 2.74 mm [.108 in]

Centerline, 2 Row, 2 Connector Shell Size, Square, AMPLIMITE HD-20, PCB D-Sub Connectors

[View on TE.com >](#)



Connectors > D-Shaped Connectors > D-Sub Connectors > PCB D-Sub Connectors > D-Sub Receptacle Assembly: Vertical, Shell Size 2, 2.74mm



Connector & Housing Type: **Receptacle**

Connector System: **Board-to-Board**

Number of Positions: **15**

Centerline (Pitch): **2.74 mm [.108 in]**

Number of Rows: **2**

[All D-Sub Receptacle Assembly: Vertical, Shell Size 2, 2.74mm \(44\)](#)

## Features

### Contact Features

	30 $\mu$ m
Contact Shape & Form	Square
Contact Current Rating (Max)	6 A
Contact Underplating Material	Nickel
Contact Options	Installed
Contact Mating Area Plating Material	Gold
Contact Base Material	Phosphor Bronze
PCB Contact Termination Area Plating Material	Tin

### Product Type Features

Connector & Housing Type	Receptacle
Connector System	Board-to-Board
Connector Shell Size	2
Connector & Contact Terminates To	Printed Circuit Board



Shell Material Configuration	Full Metal Shell
------------------------------	------------------

### Configuration Features

Number of Positions	15
---------------------	----

Number of Rows	2
----------------	---

PCB Mount Orientation	Vertical
-----------------------	----------

### Housing Features

Centerline (Pitch)	2.74 mm [.108 in]
--------------------	-------------------

Shell Material	Steel
----------------	-------

### Dimensions

Row-to-Row Spacing	2.84 mm [.112 in]
--------------------	-------------------

PCB Thickness (Recommended)	1.57 – 2.36 mm [.062 – .093 in]
-----------------------------	---------------------------------

### Body Features

Connector Profile	High
-------------------	------

Insert Material	Thermoplastic
-----------------	---------------

Shell Plating Material	Tin
------------------------	-----

### Mechanical Attachment

PCB Mount Retention	With
---------------------	------

PCB Mount Retention Type	Mounting Hole
--------------------------	---------------

Mating Retention	Without
------------------	---------

Connector Mounting Type	Board Mount
-------------------------	-------------

Mounting Hole Diameter	3.05 mm [.12 in]
------------------------	------------------

### Operation/Application

Circuit Application	Signal
---------------------	--------

### Usage Conditions

Operating Temperature Range	-55 – 105 °C [-67 – 221 °F]
-----------------------------	-----------------------------

### Other

EU RoHS Compliance	Compliant
--------------------	-----------

EU ELV Compliance	Compliant
-------------------	-----------

### Termination Features

Termination Method to PCB	Through Hole - Solder
---------------------------	-----------------------

Termination Post & Tail Length	3.18 mm [.125 in]
--------------------------------	-------------------



Square Termination Post & Tail Dimension	.63 mm[.025 in]
--	-----------------

### Industry Standards

UL Flammability Rating	UL 94V-0
------------------------	----------

### Packaging Features

Packaging Quantity	13
Packaging Method	Tube

### Product Compliance

[For compliance documentation, visit the product page on TE.com>](#)

EU RoHS Directive 2011/65/EU	Compliant
EU ELV Directive 2000/53/EC	Compliant
China RoHS 2 Directive MIIT Order No 32, 2016	No Restricted Materials Above Threshold
EU REACH Regulation (EC) No. 1907/2006	Current ECHA Candidate List: JUNE 2024 (241) Candidate List Declared Against: JUNE 2024 (241) Does not contain REACH SVHC
Halogen Content	Not Low Halogen - contains Br or Cl > 900 ppm.
Solder Process Capability	Wave solder capable to 265°C

#### Product Compliance Disclaimer

This information is provided based on reasonable inquiry of our suppliers and represents our current actual knowledge based on the information they provided. This information is subject to change. The part numbers that TE has identified as EU RoHS compliant have a maximum concentration of 0.1% by weight in homogenous materials for lead, hexavalent chromium, mercury, PBB, PBDE, DBP, BBP, DEHP, DIBP, and 0.01% for cadmium, or qualify for an exemption to these limits as defined in the Annexes of Directive 2011/65/EU (RoHS2). Finished electrical and electronic equipment products will be CE marked as required by Directive 2011/65/EU. Components may not be CE marked. Additionally, the part numbers that TE has identified as EU ELV compliant have a maximum concentration of 0.1% by weight in homogenous materials for lead, hexavalent chromium, and mercury, and 0.01% for cadmium, or qualify for an exemption to these limits as defined in the Annexes of Directive 2000/53/EC (ELV). Regarding the REACH Regulation, the information TE provides on SVHC in articles for this part number is based on the latest European Chemicals Agency (ECHA) 'Guidance on requirements for substances in articles' posted at this URL: <https://echa.europa.eu/guidance-documents/guidance-on-reach>

### Compatible Parts




TE Part # CAT-AM7-H3  
IDC D-Sub: Plug Assembly, Low Profile, Signal, 2.77 mm



TE Part # 1-745494-5  
15 HDE MS PLUG,22-26,LEAD FREE



TE Part # 1-745494-7  
PLUG ASSY,15P,HDE,MS



TE Part # 1-2478170-1  
15POS, D SUB CABLE, 26AWG, 2.5 FT, M-T-F



TE Part # 1-2478170-2  
15POS, D SUB CABLE, 26AWG, 5 FT, M-T-F



TE Part # 1-2478170-3  
15POS, D SUB CABLE, 26AWG, 5 FT, M-T-M



TE Part # 2478170-9  
15POS, D SUB CABLE, 26AWG, 2.5 FT, M-T-M



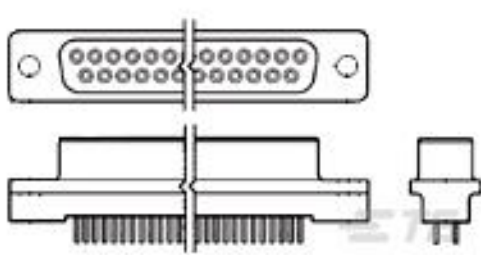
TE Part # 206509-1  
SIZE 20 KEYING PLUG

Also in the Series | **AMPLIMITE HD-20**



PCB D-Sub Connectors(353)

Customers Also Bought



TE Part #745079-4  
37 RCPT SP/AP SCRLK



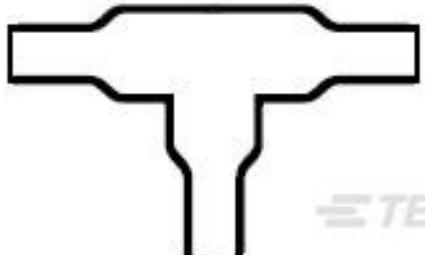
TE Part #5-1375582-4  
05 MTE VERTICAL SMT HDR 15 AU



TE Part #280373-1  
8P AMPMODU II SHRD HDR, ST, TIN



TE Part #535090-5  
096 EURO TYPE C RECEPT ST ASSY



TE Part #807567-000  
301A022-4/42-0



TE Part #ADP-NF-NF-B-W  
N Type Jack to N Type Jack Bulkhead



TE Part #2123524-2  
KIT, SM DUPLEX, TJ-LC, G2



TE Part #374171-E  
STVM 60-4 M ABC VWV 4-00 0606 \*\* 247 E0



## Documents

### Product Drawings

#### 15 RCPT SP/MS STD

English

### CAD Files

#### 3D PDF

English

#### Customer View Model

[ENG\\_CVM\\_5745185-1\\_B.2d\\_dxf.zip](#)

English

#### Customer View Model

[ENG\\_CVM\\_5745185-1\\_B.3d\\_igs.zip](#)

English

#### Customer View Model

[ENG\\_CVM\\_5745185-1\\_B.3d\\_stp.zip](#)

English

By downloading the CAD file I accept and agree to the [Terms and Conditions](#) of use.

### Datasheets & Catalog Pages

#### AMPLIMITE Subminiature D Connectors - Straight Posted Connectors

English

### Product Specifications

#### Application Specification

English

### Agency Approvals

#### UL Report

English