



Ultra-Fast | Ultra-Fast 250

TE Internal #: 2-520183-2

Receptacle, 22 – 18 AWG Wire Size, .32 – .82 mm<sup>2</sup> Wire Size, Mating Tab Width 6.35 mm [.25 in], Straight, Brass, Ultra-Fast 250, Quick Disconnects

[View on TE.com >](#)

Terminals & Splices > Quick Disconnects



Quick Disconnect Terminal Type: **Receptacle**

Wire Size: .32 – .82 mm<sup>2</sup>

Mating Tab Width: 6.35 mm [.25 in]

Mating Tab Thickness: .81 mm [.032 in]

**Features**

**Contact Features**

Quick Disconnect Terminal Type	Receptacle
Mating Tab Width	6.35 mm [.25 in]
Mating Tab Thickness	.81 mm [.032 in]
Terminal Orientation	Straight
Contact Base Material	Brass
Terminal Plating Material	Tin
Crimp Type	F-Crimp
Barrel Type	Closed

**Dimensions**

Wire Size	.32 – .82 mm <sup>2</sup>
Product Length	21.75 mm [.856 in]
Compatible Insulation Diameter Range	3.43 mm [.135 in]
Terminal Material Thickness	.41 mm [.016 in]

**Packaging Features**

Packaging Method	Strip/Reel
------------------	------------



Packaging Quantity	2200
--------------------	------

### Product Type Features

Insertion Force	Normal
Terminal Features	Wire Stop

### Usage Conditions

Insulation Option	Fully Insulated
Operating Temperature Range	-40 – 110 °C[-40 – 230 °F]

### Other

EU RoHS Compliance	Compliant
EU ELV Compliance	Compliant
Barrel Color	Red

### Configuration Features

Compatible With Wire & Cable Type	Discrete Wire
Connection Capacity	Single

### Electrical Characteristics

Voltage Rating	600 V
----------------	-------

### Body Features

Insulation Material	Nylon
---------------------	-------

### Termination Features

Product Terminates To	Wire & Cable
-----------------------	--------------

### Mechanical Attachment

Wire Insulation Support	With
Mating Retention Type	Dimple

### Industry Standards

Compatible With Agency/Standards Products	UL
UL Flammability Rating	UL 94V-2

### Product Compliance

[For compliance documentation, visit the product page on TE.com>](#)

EU RoHS Directive 2011/65/EU	Compliant
EU ELV Directive 2000/53/EC	Compliant



China RoHS 2 Directive MIIT Order No 32, 2016	No Restricted Materials Above Threshold
EU REACH Regulation (EC) No. 1907/2006	Current ECHA Candidate List: JUNE 2024 (241) Candidate List Declared Against: JUNE 2024 (241) Does not contain REACH SVHC
Halogen Content	Low Halogen - Br, Cl, F, I < 900 ppm per homogenous material. Also BFR/CFR/PVC Free
Solder Process Capability	Not applicable for solder process capability

Product Compliance Disclaimer

This information is provided based on reasonable inquiry of our suppliers and represents our current actual knowledge based on the information they provided. This information is subject to change. The part numbers that TE has identified as EU RoHS compliant have a maximum concentration of 0.1% by weight in homogenous materials for lead, hexavalent chromium, mercury, PBB, PBDE, DBP, BBP, DEHP, DIBP, and 0.01% for cadmium, or qualify for an exemption to these limits as defined in the Annexes of Directive 2011/65/EU (RoHS2). Finished electrical and electronic equipment products will be CE marked as required by Directive 2011/65/EU. Components may not be CE marked. Additionally, the part numbers that TE has identified as EU ELV compliant have a maximum concentration of 0.1% by weight in homogenous materials for lead, hexavalent chromium, and mercury, and 0.01% for cadmium, or qualify for an exemption to these limits as defined in the Annexes of Directive 2000/53/EC (ELV). Regarding the REACH Regulation, the information TE provides on SVHC in articles for this part number is based on the latest European Chemicals Agency (ECHA) 'Guidance on requirements for substances in articles' posted at this URL: <https://echa.europa.eu/guidance-documents/guidance-on-reach>

## Compatible Parts

TE Part # 58628-1  
PROCRIMP T&D 26-14 ULTRAFast

TE Part # 90390-3  
DIES ULTRA-Fast FASTON 22-18 DIE SET

TE Part # 58628-2  
PROCRIMP DIESET 26-14 ULTRAFast

TE Part # 2151034-2  
OCEAN\_2.0\_APPLICATOR-S-1760-SSA

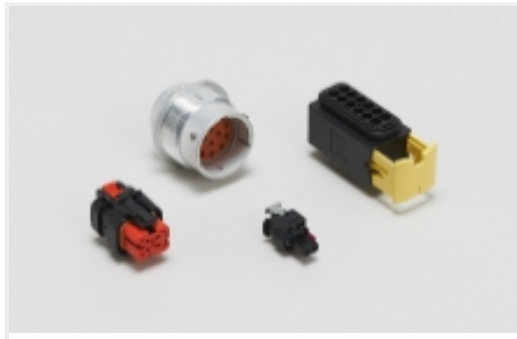
**KIT**  
REPRESENTATION ONLY

TE Part # 7-2151034-7  
OCEAN\_2.0\_SPARE\_PART\_KIT-1760

TE Part # 1-350856-2  
HSG STRIP 250 SERIES

TE Part # 520948-2  
RCPT BODY 250 ULTRA-Fast 22-18

## Also in the Series | Ultra-Fast 250

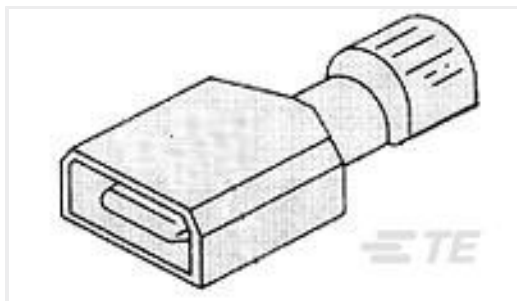


Automotive Housings(3)

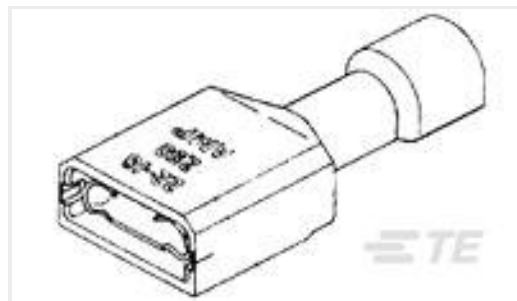


Quick Disconnects(49)

## Customers Also Bought



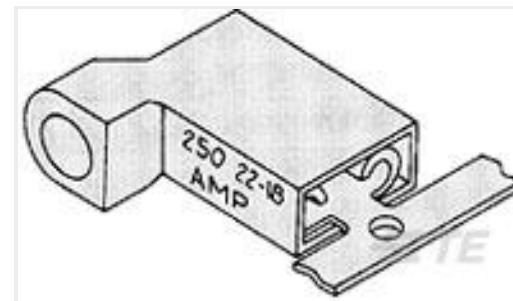
TE Part #3-521142-2  
ULTRA-FAST 250 ASY TAB 16-14 AWG TPBR



TE Part #2-520193-2  
ULTRA-FAST 187 ASY REC 22-18 TPBR



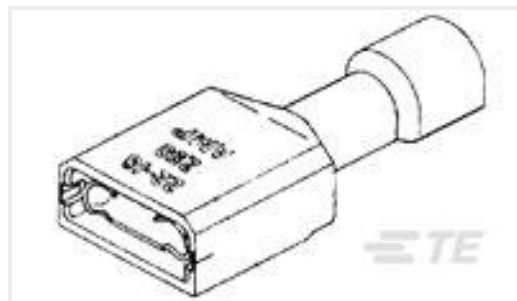
TE Part #4-520447-2  
ULTRA-FAST 250 ASY REC 12-10 AWG TPBR



TE Part #3-520132-2  
ULTRAFast 250 ASSY FLAG REC 16-14 TPBR



TE Part #61944-2  
250 FASTON REC 18-14 AWG TPBR



TE Part #3-520140-2  
ULTRA-FAST 250 ASY REC 16-14 AWG TPBR



TE Part #2-520128-2  
ULTRA-FAST 250 ASY REC 22-18 AWG TPBR



TE Part #2-520263-2  
ULTRA-FAST 250 ASY REC 22-18 TPBR



ANVIL  
REPRESENTATION ONLY  
TE Part #5-1803171-1  
ANVIL



TE Part #811242-7  
BUMPER, HOLD DOWN

## Documents

### Product Drawings

[ULTRA-FAST 250 ASY REC 22-18 TPBR](#)

English

### CAD Files

[3D PDF](#)

3D

### Customer View Model

[ENG\\_CVM\\_CVM\\_2-520183-2\\_V.2d\\_dxf.zip](#)



English

**Customer View Model**

[ENG\\_CVM\\_CVM\\_2-520183-2\\_V.3d\\_igs.zip](#)

English

**Customer View Model**

[ENG\\_CVM\\_CVM\\_2-520183-2\\_V.3d\\_stp.zip](#)

English

By downloading the CAD file I accept and agree to the [Terms and Conditions](#) of use.

---

## Datasheets & Catalog Pages

[Ultra-Fast and Ultra Fast Plus](#)

English

---

## Product Specifications

[Application Specification](#)

English

[Application Specification](#)

English

---

## Agency Approvals

[UL](#)

English