

# 60440-1 ✓ ACTIVE

TE Internal #: 60440-1

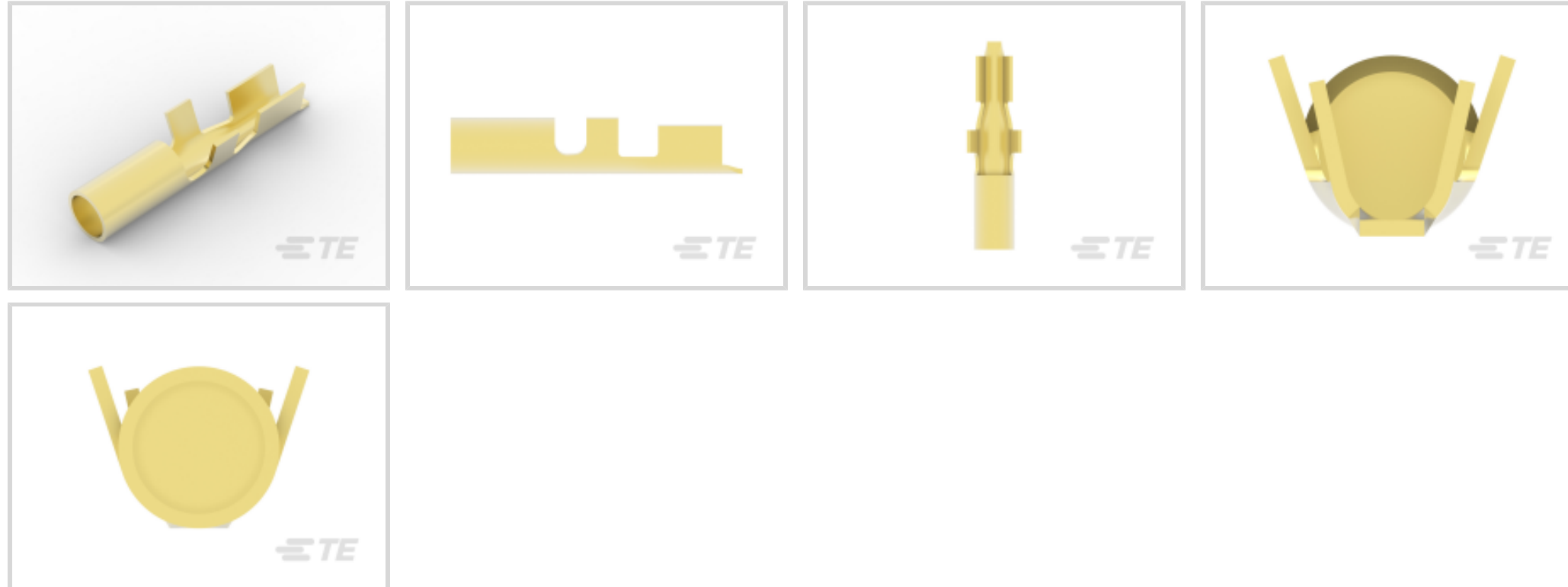
Receptacle, Mating Pin Diameter 2.36 mm [.093 in], 22 – 18 AWG

Wire Size, .3 – .8 mm<sup>2</sup> Wire Size, Crimp Wire Pins, Tabs & Ferrules

[View on TE.com >](#)



Terminals & Splices > Crimp Wire Pins, Tabs & Ferrules



Crimp Wire Terminal Type: **Receptacle**

Mating Pin Diameter: **2.36 mm [.093 in]**

Wire Size: **642 – 1624 CMA**

## Features

### Contact Features

Crimp Wire Terminal Type	Receptacle
Mating Pin Diameter	2.36 mm [.093 in]
Barrel Type	Open
Terminal Plating Material	Unplated
Terminal Orientation	Straight

### Dimensions

Wire Size	642 – 1624 CMA
Barrel Inside Diameter	1.39 mm, 2.28 mm [.055 in] [.09 in]
Terminal Material Thickness	.24 mm [.01 in]
Overall Product Length	13.46 mm [.53 in]

### Packaging Features

Packaging Method	Reel
Packaging Quantity	20000

### Configuration Features

Compatible With Wire & Cable Type	Discrete Wire
-----------------------------------	---------------

### Product Type Features



Compatible With Discrete Wire Type	Solid, Stranded
------------------------------------	-----------------

### Usage Conditions

Insulation Option	Uninsulated
Operating Temperature Range	-40 – 85 °C[-40 – 185 °F]

### Mechanical Attachment

Wire Insulation Support	Without
-------------------------	---------

### Other

EU RoHS Compliance	Compliant
EU ELV Compliance	Compliant

## Product Compliance

[For compliance documentation, visit the product page on TE.com>](#)

EU RoHS Directive 2011/65/EU	Compliant
EU ELV Directive 2000/53/EC	Compliant
China RoHS 2 Directive MIIT Order No 32, 2016	No Restricted Materials Above Threshold
EU REACH Regulation (EC) No. 1907/2006	Current ECHA Candidate List: JUNE 2024 (241) Candidate List Declared Against: JUNE 2024 (241) Does not contain REACH SVHC
Halogen Content	Low Halogen - Br, Cl, F, I < 900 ppm per homogenous material. Also BFR/CFR/PVC Free
Solder Process Capability	Not applicable for solder process capability

#### Product Compliance Disclaimer

This information is provided based on reasonable inquiry of our suppliers and represents our current actual knowledge based on the information they provided. This information is subject to change. The part numbers that TE has identified as EU RoHS compliant have a maximum concentration of 0.1% by weight in homogenous materials for lead, hexavalent chromium, mercury, PBB, PBDE, DBP, BBP, DEHP, DIBP, and 0.01% for cadmium, or qualify for an exemption to these limits as defined in the Annexes of Directive 2011/65/EU (RoHS2). Finished electrical and electronic equipment products will be CE marked as required by Directive 2011/65/EU. Components may not be CE marked. Additionally, the part numbers that TE has identified as EU ELV compliant have a maximum concentration of 0.1% by weight in homogenous materials for lead, hexavalent chromium, and mercury, and 0.01% for cadmium, or qualify for an exemption to these limits as defined in the Annexes of Directive 2000/53/EC (ELV). Regarding the REACH Regulation, the information TE provides on SVHC in articles for this part number is based on the latest European Chemicals Agency (ECHA) 'Guidance on requirements for substances in articles' posted at this URL: <https://echa.europa.eu/guidance-documents/guidance-on-reach>

## Compatible Parts




TE Part # 63381-1  
PIN .125 TERMINAL REC 22-18 AWG BR



TE Part # 41854  
PIN 093 (2.36 MM) REC 22-18 AWG TPBR



TE Part # 42827-2  
PIN .093 RECEPTACLE 24-18 AWG TPBR



TE Part # 170073-5  
PIN WITH LANCE .093 REC 24-20 PRE-TPBR



TE Part # 62820-1  
PIN 093 CRIMP TAB 22-16 AWG PTPBR



TE Part # 170073-2  
PIN WITH LANCE .093 REC 24-20 POST-TPBR



TE Part # 1742350-1  
PIN 2.08 DIA 22-18AWG TPBR



TE Part # 62402-1  
PIN .106 REC 22-18 AWG (OR) 22AWG PTPBR



TE Part # 62505-1  
PIN 130 22-18 AWG .0157 X 1.020 BR



TE Part # 160784-3  
REC.FOR 2,5 DIA PIN


### Customers Also Bought



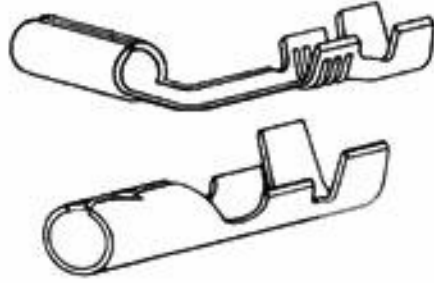
TE Part #66504-9  
SOCKET CONTACT, 20 DF



TE Part #CX6255-000  
RHW-56/16-1200/ADH-0



TE Part #31818  
SPLICE, SOLIS, BUTT, 22-16 COMM 22-18MIL



TE Part #42581-2  
SHUR PLUG 156 RECEPTACLE 22-18 AWG TPBR



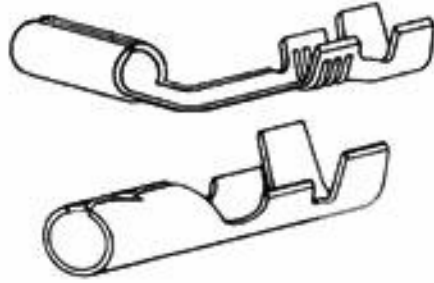
TE Part #170003-5  
SHUR PLUG 156 REC 20-14 AWG TPBR



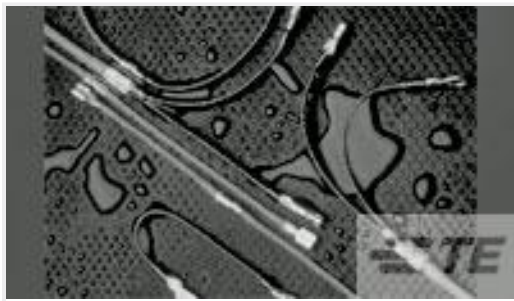
TE Part #350015-2  
.093 PIN RECPT 22-18 PTPPHBRZ



TE Part #097305-000  
B-106-2402



TE Part #42142-2  
SHUR PLUG TERMINAL 18-14 AWG BR



TE Part #709977-000  
B-106-2403

## Documents

### Product Drawings

[PIN 093 RECEPTACLE 22-18 AWG BR](#)

English

### CAD Files

[3D PDF](#)

3D

Customer View Model

[ENG\\_CVM\\_CVM\\_60440-1\\_G\\_c-60440-1-g.2d\\_dxf.zip](#)

English

Customer View Model

[ENG\\_CVM\\_CVM\\_60440-1\\_G\\_c-60440-1-g.3d\\_igs.zip](#)

English

Customer View Model

[ENG\\_CVM\\_CVM\\_60440-1\\_G\\_c-60440-1-g.3d\\_stp.zip](#)

English

By downloading the CAD file I accept and agree to the [Terms and Conditions](#) of use.

### Product Specifications

[Application Specification](#)

English

[Pin Receptacle Contact With Closed Seam](#)

English