

41495 ✓ ACTIVE

TE Internal #: 41495

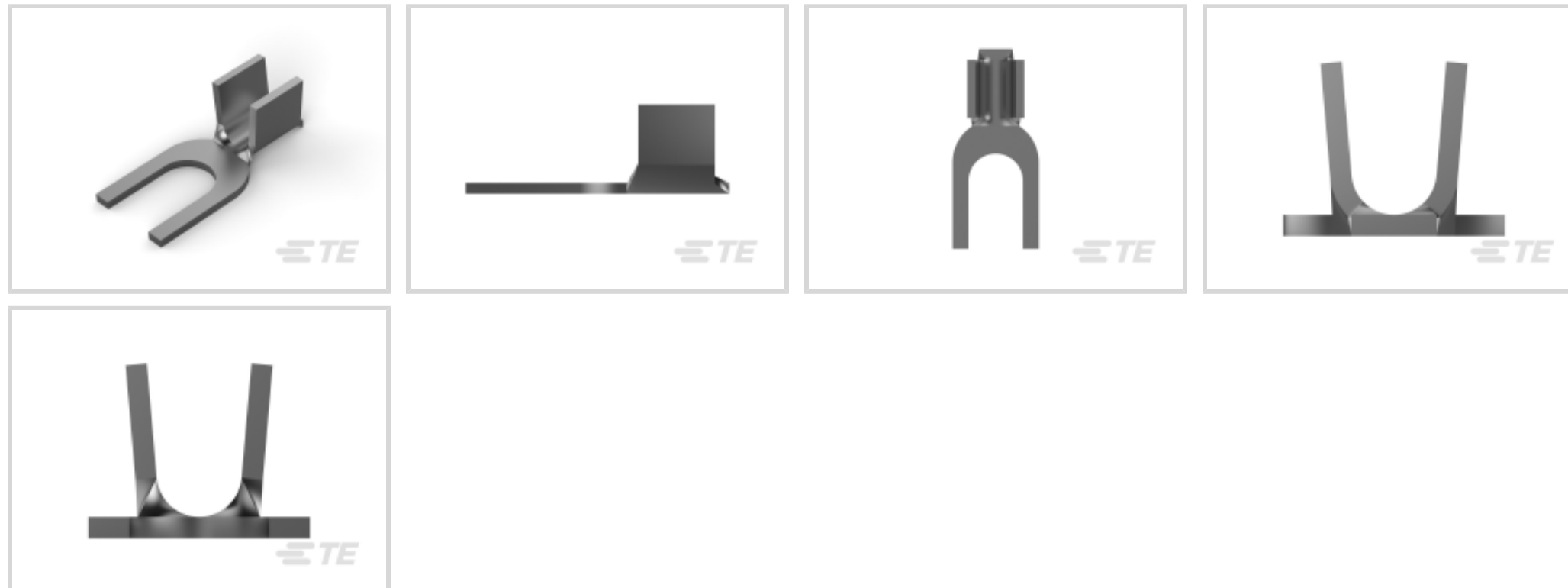
Spade Tongue Terminal, 12 – 10 AWG, #10 Stud Size, 5 mm [.19 in]

Stud Diameter, Open Barrel, Straight, Tin, Uninsulated

[View on TE.com >](#)



Terminals & Splices > Spade Terminals



Spade Terminal Type: **Spade Tongue Terminal**

Wire Size: **6529 – 10382 CMA**

Stud Size: **#10**

Features

Contact Features

Spade Terminal Type	Spade Tongue Terminal
Barrel Type	Open
Terminal Orientation	Straight
Terminal Plating Material	Tin
Contact Underplating Material	None
Contact Base Material	Brass

Dimensions

Wire Size	6529 – 10382 CMA
Stud Diameter	5 mm [.19 in]
Tongue Thickness	.76 mm [.03 in]
Product Length	17.53 mm [.69 in]
Barrel Inside Diameter	3.04 mm [.12 in]

Product Type Features

Stud Size	#10
Sealable	No
Compatible With Discrete Wire Type	Stranded
Wire Insulation Support Retention Type	Non-Insulation Support



Shape Description	Round Spade
-------------------	-------------

Usage Conditions

Insulation Option	Uninsulated
Operating Temperature Range	-40 – 110 °C[-40 – 230 °F]

Operation/Application

Compatible With Wire Base Material	Copper
------------------------------------	--------

Packaging Features

Packaging Method	Strip/Reel
Packaging Quantity	8000

Other

EU RoHS Compliance	Compliant
EU ELV Compliance	Compliant

Body Features

Product Weight	.816 g
----------------	--------

Mechanical Attachment

Wire Insulation Support	Without
-------------------------	---------

Industry Standards

Government Qualified Terminal	No
-------------------------------	----

Product Compliance

[For compliance documentation, visit the product page on TE.com>](#)

EU RoHS Directive 2011/65/EU	Compliant
EU ELV Directive 2000/53/EC	Compliant
China RoHS 2 Directive MIIT Order No 32, 2016	No Restricted Materials Above Threshold
EU REACH Regulation (EC) No. 1907/2006	Current ECHA Candidate List: JUNE 2024 (241) Candidate List Declared Against: JUNE 2024 (241) Does not contain REACH SVHC
Halogen Content	Low Halogen - Br, Cl, F, I < 900 ppm per homogenous material. Also BFR/CFR/PVC Free
Solder Process Capability	Not applicable for solder process capability

Product Compliance Disclaimer

This information is provided based on reasonable inquiry of our suppliers and represents our current actual knowledge based on the information they provided. This information is subject to change. The part numbers that TE has identified as EU RoHS compliant have a maximum concentration of 0.1% by weight in homogenous materials for lead, hexavalent chromium, mercury, PBB, PBDE, DBP, BBP, DEHP, DIBP, and 0.01% for cadmium, or qualify for an exemption to these limits as defined in the Annexes of Directive 2011/65/EU (RoHS2). Finished electrical and electronic equipment products will be CE marked as required by Directive 2011/65/EU. Components may not be CE marked. Additionally, the part numbers that TE has identified as EU ELV compliant have a maximum concentration of 0.1% by weight in homogenous materials for lead, hexavalent chromium, and mercury, and 0.01% for cadmium, or qualify for an exemption to these limits as defined in the Annexes of Directive 2000/53/EC (ELV). Regarding the REACH Regulation, the information TE provides on SVHC in articles for this part number is based on the latest European Chemicals Agency (ECHA) 'Guidance on requirements for substances in articles' posted at this URL: <https://echa.europa.eu/guidance-documents/guidance-on-reach>

Compatible Parts



TE Part # 2150719-1
OCEAN_2.0_Applicator-E-180F-REM



TE Part # 2150719-2
OCEAN_2.0_Applicator-E-180FA



TE Part # 4150016-1
OCEAN-2.0-APPLICATOR-E-SEM



TE Part # 4150016-2
OCEAN-2.0-APPLICATOR-EA-SEA



TE Part # 63526-1
FLANGED SPADE TERMINAL 12-10 AWG BR



KIT
TE Part # 7-2150719-7
OCEAN_2.0_SPARE_PART_KIT-180F



KIT
TE Part # 7-4150016-7
OCEAN_2.0_SPARE_PART_KIT-

Customers Also Bought



TE Part #1-640724-0
15P UMNL STR/REL & INSRT NATL



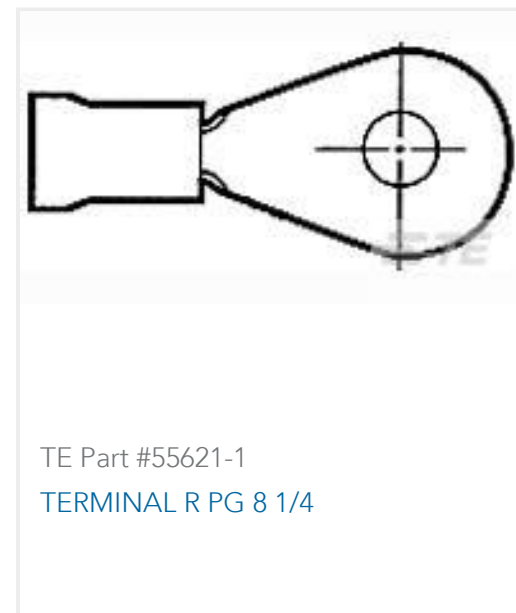
TE Part #640917-2
RECEPT,PIDG FASTON 22-18 187



TE Part #62253-2
250 FASTON REC 14-10 TPBR



TE Part #42111-3
RING TONGUE TERMINAL 18-14 AWG TPBR



Documents

Product Drawings

[SPADE .190\(4.82 MM\)12-10 AWG TPBR](#)

English

CAD Files

[3D PDF](#)

3D

Customer View Model

[ENG_CVM_CVM_41495_R_c-41495-r.2d_dxf.zip](#)

English

Customer View Model

[ENG_CVM_CVM_41495_R_c-41495-r.3d_igs.zip](#)

English

Customer View Model

[ENG_CVM_CVM_41495_R_c-41495-r.3d_stp.zip](#)

English

By downloading the CAD file I accept and agree to the [Terms and Conditions](#) of use.

Product Specifications

[Engineering Report](#)

English