

1326030-2 ✓ ACTIVE



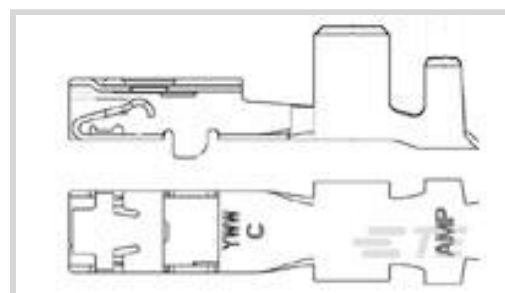
1.5/2.8 Connector System

TE Internal #: 1326030-2

Receptacle, Mating Tab Width 2.8 mm [.11 in], 18 – 20 AWG Wire Size, .82 – .51 mm² Wire Size, 1.5/2.8 Connector System, Automotive Terminals

[View on TE.com >](#)

Terminals & Splices > Automotive Terminals > 1.5/2.8 CONNECTOR SYSTEM, RECPT AND TAB



Terminal Type: **Receptacle**

Mating Tab Width: **2.8 mm [.11 in]**

Wire Size: **.82 – .51 mm²**

Sealable: **No**

[All 1.5/2.8 CONNECTOR SYSTEM, RECPT AND TAB \(37\)](#)

Features

Usage Conditions

Insulation Option	Uninsulated
-------------------	-------------

Packaging Features

Packaging Method	Reel
Packaging Quantity	3000

Termination Features

Termination Method to Wire & Cable	Crimp
Product Terminates To	Wire & Cable

Product Type Features

Receptacle Style	180°
Sealable	No
Primary Locking Feature	Clean Body

Dimensions

Compatible Insulation Diameter Range	1.2 – 4.04 mm [.047 – .161 in]
Wire Size	.82 – .51 mm ²
Tab Length	19.75 mm [.78 in]

Contact Features

Typical Current Rating	12 A
------------------------	------



Crimp Type	F-Crimp
Contact Size	2.8mm
Contact Fabrication	Stamped & Formed
Wire Contact Termination Area Plating Material	Tin
Terminal Type	Receptacle
Mating Tab Width	2.8 mm [.11 in]
Interface Plating	Tin (Sn)

Other

EU RoHS Compliance	Compliant
EU ELV Compliance	Compliant

Product Compliance

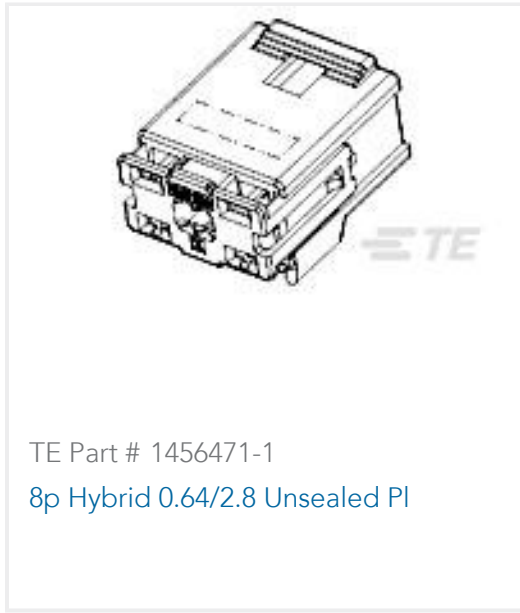
[For compliance documentation, visit the product page on TE.com>](#)

EU RoHS Directive 2011/65/EU	Compliant
EU ELV Directive 2000/53/EC	Compliant
China RoHS 2 Directive MIIT Order No 32, 2016	No Restricted Materials Above Threshold
EU REACH Regulation (EC) No. 1907/2006	Current ECHA Candidate List: JUNE 2024 (241) Candidate List Declared Against: JUNE 2024 (241) Does not contain REACH SVHC
Halogen Content	Low Halogen - Br, Cl, F, I < 900 ppm per homogenous material. Also BFR/CFR/PVC Free
Solder Process Capability	Not applicable for solder process capability

Product Compliance Disclaimer

This information is provided based on reasonable inquiry of our suppliers and represents our current actual knowledge based on the information they provided. This information is subject to change. The part numbers that TE has identified as EU RoHS compliant have a maximum concentration of 0.1% by weight in homogenous materials for lead, hexavalent chromium, mercury, PBB, PBDE, DBP, BBP, DEHP, DIBP, and 0.01% for cadmium, or qualify for an exemption to these limits as defined in the Annexes of Directive 2011/65/EU (RoHS2). Finished electrical and electronic equipment products will be CE marked as required by Directive 2011/65/EU. Components may not be CE marked. Additionally, the part numbers that TE has identified as EU ELV compliant have a maximum concentration of 0.1% by weight in homogenous materials for lead, hexavalent chromium, and mercury, and 0.01% for cadmium, or qualify for an exemption to these limits as defined in the Annexes of Directive 2000/53/EC (ELV). Regarding the REACH Regulation, the information TE provides on SVHC in articles for this part number is based on the latest European Chemicals Agency (ECHA) 'Guidance on requirements for substances in articles' posted at this URL: <https://echa.europa.eu/guidance-documents/guidance-on-reach>

Compatible Parts



TE Part # 1456471-1
8p Hybrid 0.64/2.8 Unsealed PI



TE Part # 1924126-1
21p Hybrid - 1pc Unsealed Plug, Key A



TE Part # 1924667-1
13p Hybrid - 1pc Unsealed Plug, Key A



TE Part # CAT-T319-CH8172
TH/.025 CONNECTOR SYSTEM,
HOUSING



TE Part # 1438759-1
22WAY HYBRID .040/2.8 PLUG ASSY
KEY 'B'



TE Part # CAT-G3353-CH8172
GET .64 CONNECTOR SYSTEM,
CONNECTOR HSG



TE Part # 776932-1
52 pos plug assy, 0.64 and 2.8



TE Part # 1452842-3
22 POS FEMALE HSG ASSY



TE Part # 1326359-1
11P 2.8MM LVG-HNG PLUG - KEY A



TE Part # 1326359-2
11P 2.8MM LVG-HNG PLUG - KEY B



TE Part # 1438759-2
22Way Hybrid 040/2.8 Plug Assy Key
'C'



TE Part # 2203937-1
52 pos plug assy, 0.64 and 2.8



TE Part # 2295163-1
22POS,MIXED,REC HSG,ASSY



TE Part # 2295163-2
22POS,MIXED,REC HSG,ASSY



TE Part # 2295163-3
22POS,MIXED,REC HSG,ASSY



TE Part # 2295163-4
22POS,MIXED,REC HSG,ASSY



TE Part # 776932-3
52 pos plug, 0.64 and 2.80mm



TE Part # 2203937-5
52 pos plug assy, 0.64 and 2.8

Also in the Series | **1.5/2.8 Connector System**

Automotive Connector Caps & Covers
(3)

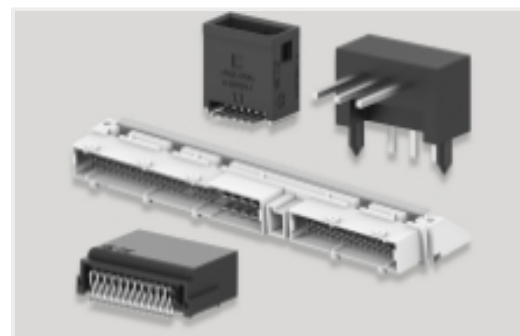
Automotive Housings(27)



Automotive Terminals(48)

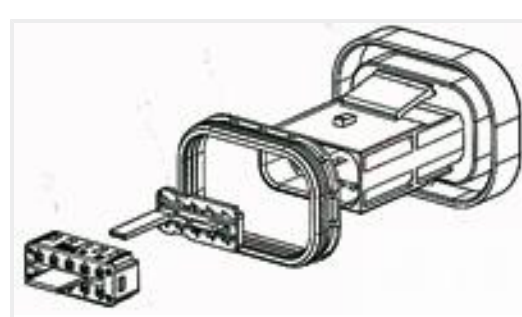
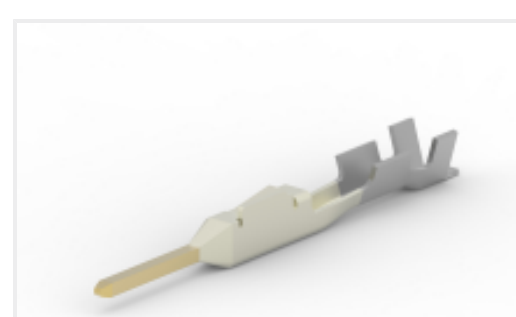
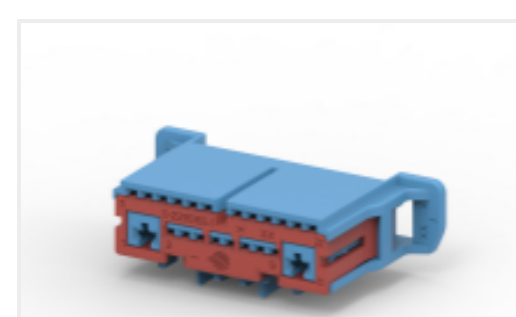


Insertion & Extraction Tools(1)

Other Automotive Connector
Accessories(1)

PCB Headers & Receptacles(1)

Customers Also Bought

TE Part #2309644-1
MQS, CONNECTOR HOUSINGTE Part #170349-2
FF 250 TAB 22-20AWG TPBR
WITHOUT LATCHTE Part #2272169-1
MCON WIRE DRESS, 2P PLUG, RIGHT
ANGLETE Part #85229-1
CLIP HSG FOR 070 (EJ MK-II)TE Part #1801610-1
BULK HEAD, MCON, 10W, CLIPPEDTE Part #1-2292506-1
34POS, MQS, REC HSG, AND MPQTE Part #2005154-2
025 TAB CONTACT(S) GOLDTE Part #2295163-3
22POS, MIXED, REC HSG, ASSY

Documents

Product Drawings

[2.8MM RECP, UNSEAL, 18-20AWG](#)

English

CAD Files

[3D PDF](#)

[3D](#)

[Customer View Model](#)

[ENG_CVM_CVM_1326030-2_L.2d_dxf.zip](#)



English

Customer View Model

[ENG_CVM_CVM_1326030-2_L.3d_igs.zip](#)

English

Customer View Model

[ENG_CVM_CVM_1326030-2_L.3d_stp.zip](#)

English

Customer View Model

[ENG_CVM_1326030-2_H1.3d_igs.zip](#)

English

Customer View Model

[ENG_CVM_1326030-2_H1.3d_stp.zip](#)

English

Customer View Model

[ENG_CVM_1326030-2_H1.2d_dxf.zip](#)

English

[3D PDF](#)

English

By downloading the CAD file I accept and agree to the [Terms and Conditions](#) of use.

[Product Specifications](#)

[Application Specification](#)

English