



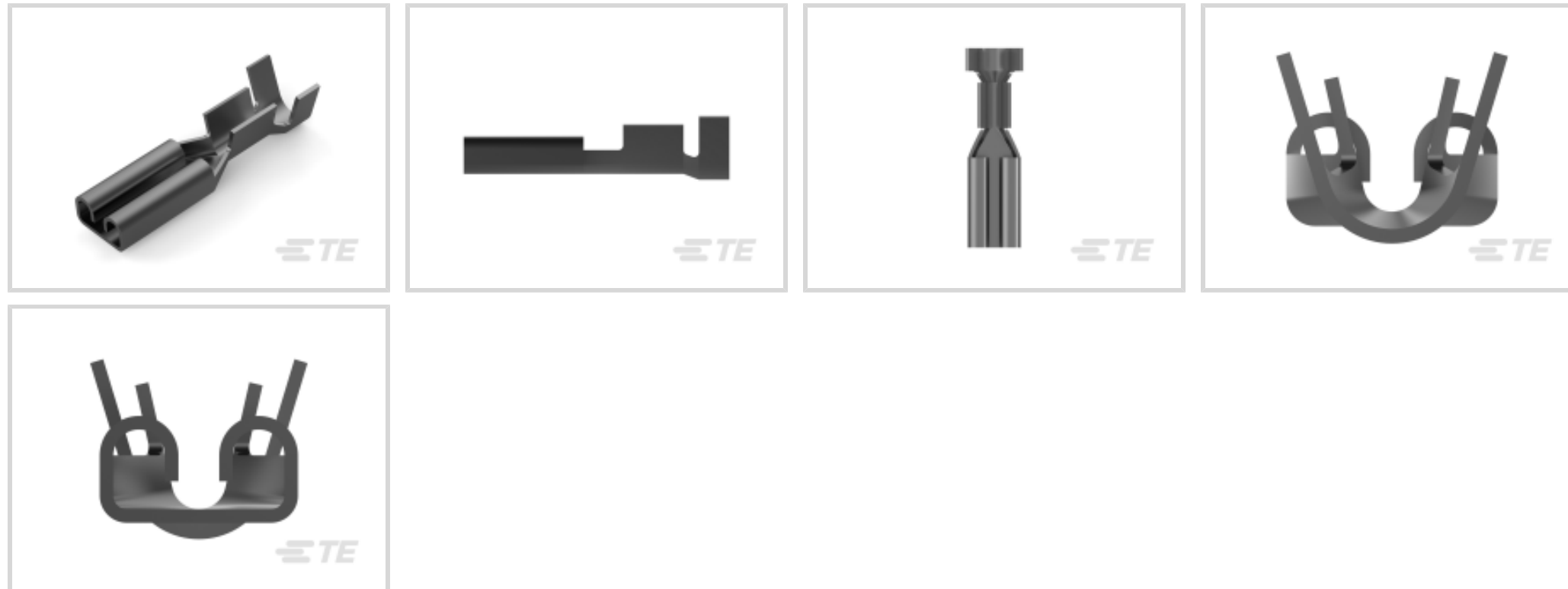
FASTON | FASTON 110

TE Internal #: 160625-2

Receptacle, 20 – 17 AWG Wire Size, .5 – 1 mm² Wire Size, Mating Tab Width 2.8 mm [.11 in], Straight, Brass, Tin Plating, FASTON 110, Quick Disconnects

[View on TE.com >](#)

Terminals & Splices > Quick Disconnects



Quick Disconnect Terminal Type: **Receptacle**

Wire Size: **.5 – 1 mm²**

Mating Tab Width: **2.8 mm [.11 in]**

Mating Tab Thickness: **.51 mm [.02 in]**

Features

Contact Features

Quick Disconnect Terminal Type	Receptacle
Mating Tab Width	2.8 mm [.11 in]
Mating Tab Thickness	.51 mm [.02 in]
Terminal Orientation	Straight
Contact Base Material	Brass
Terminal Plating Material	Tin
Crimp Type	F-Crimp
Barrel Type	Open

Dimensions

Wire Size	.5 – 1 mm ²
Product Length	14.9 mm, 14 mm [.551 in]
Compatible Insulation Diameter Range	2.03 – 3 mm [.08 – .118 in]
Terminal Material Thickness	.25 mm [.01 in]

Packaging Features

Packaging Method	Loose Piece/Carton
------------------	--------------------



Packaging Quantity	500
--------------------	-----

Usage Conditions

Insulation Option	Uninsulated
Operating Temperature Range	-40 – 110 °C[-40 – 230 °F]

Other

EU RoHS Compliance	Compliant
EU ELV Compliance	Compliant

Configuration Features

Compatible With Wire & Cable Type	Discrete Wire
Connection Capacity	Single

Termination Features

Product Terminates To	Wire & Cable
-----------------------	--------------

Mechanical Attachment

Wire Insulation Support	With
Mating Retention Type	Dimple

Industry Standards

Compatible With Agency/Standards Products	UL, CSA
---	---------

Product Compliance

[For compliance documentation, visit the product page on TE.com>](#)

EU RoHS Directive 2011/65/EU	Compliant
EU ELV Directive 2000/53/EC	Compliant
China RoHS 2 Directive MIIT Order No 32, 2016	No Restricted Materials Above Threshold
EU REACH Regulation (EC) No. 1907/2006	Current ECHA Candidate List: JUNE 2024 (241) Candidate List Declared Against: JUNE 2024 (241) Does not contain REACH SVHC
Halogen Content	Low Halogen - Br, Cl, F, I < 900 ppm per homogenous material. Also BFR/CFR/PVC Free
Solder Process Capability	Not applicable for solder process capability

Product Compliance Disclaimer



This information is provided based on reasonable inquiry of our suppliers and represents our current actual knowledge based on the information they provided. This information is subject to change. The part numbers that TE has identified as EU RoHS compliant have a maximum concentration of 0.1% by weight in homogenous materials for lead, hexavalent chromium, mercury, PBB, PBDE, DBP, BBP, DEHP, DIBP, and 0.01% for cadmium, or qualify for an exemption to these limits as defined in the Annexes of Directive 2011/65/EU (RoHS2). Finished electrical and electronic equipment products will be CE marked as required by Directive 2011/65/EU. Components may not be CE marked. Additionally, the part numbers that TE has identified as EU ELV compliant have a maximum concentration of 0.1% by weight in homogenous materials for lead, hexavalent chromium, and mercury, and 0.01% for cadmium, or qualify for an exemption to these limits as defined in the Annexes of Directive 2000/53/EC (ELV). Regarding the REACH Regulation, the information TE provides on SVHC in articles for this part number is based on the latest European Chemicals Agency (ECHA) 'Guidance on requirements for substances in articles' posted at this URL: <https://echa.europa.eu/guidance-documents/guidance-on-reach>

Compatible Parts



TE Part # 160668-2
110 FASTIN FASTON,REC.,20-16 AWG, PTBR



TE Part # 180441-2
110 FASTON,REC.,20-16 AWG,TPBR



TE Part # 61045-2
FASTON .187 SERIES (4.8 MM) TPBR



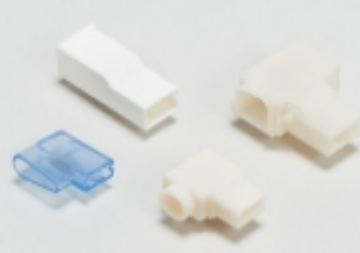
TE Part # 151791-2
FASTON 375 REC FLAG 12-10 AWG TPBR LP




REPRESENTATION ONLY

TE Part # 169048-1
DAHT ASSY

Also in the Series | FASTON 110




Crimp Terminal Housings(13)



Insertion & Extraction Tools(1)

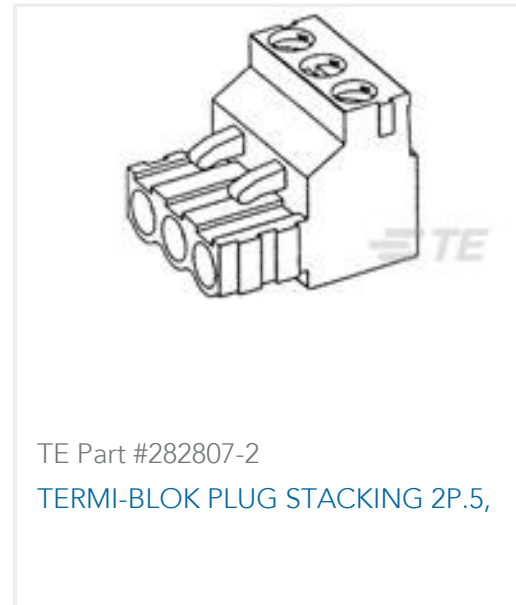
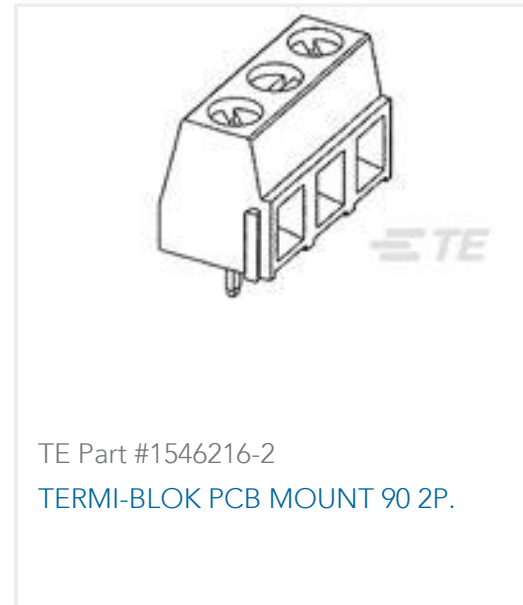
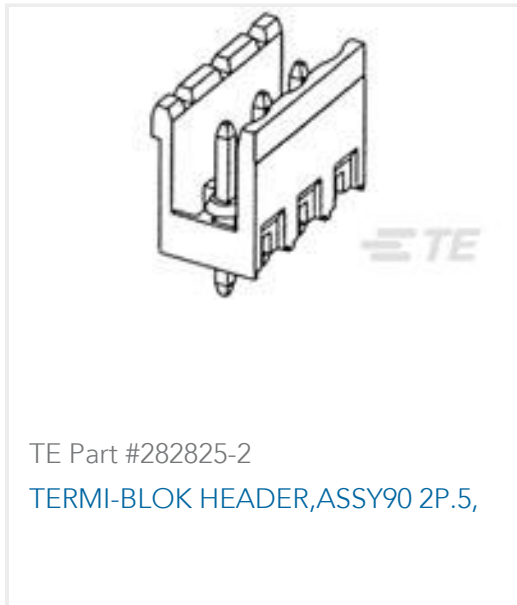


PCB Terminals(22)



Quick Disconnects(168)

Customers Also Bought



Documents

Product Drawings

110 FASTON,REC.,20-17 AWG,TPBR

English

CAD Files

3D PDF

3D

Customer View Model

[ENG_CVM_CVM_160625-2_F.2d_dxf.zip](#)

English

Customer View Model

[ENG_CVM_CVM_160625-2_F.3d_igs.zip](#)

English

Customer View Model

[ENG_CVM_CVM_160625-2_F.3d_stp.zip](#)

English

By downloading the CAD file I accept and agree to the [Terms and Conditions](#) of use.

Product Specifications



Product Specification

English

Agency Approvals

UL Report

English