



AMP

TE Internal #: 166500-2

Receptacle, Mating Tab Width .64 mm [.025 in], Tab Thickness .64 mm [.025 in], 24 – 20 AWG Wire Size, .2 – .5 mm<sup>2</sup> Wire Size, Automotive Terminals

[View on TE.com >](#)

Terminals & Splices > Automotive Terminals > RING TONGUE TERMINAL



Terminal Type: **Receptacle**

Mating Tab Width: **.64 mm [.025 in]**

Mating Tab Thickness: **.64 mm [.025 in]**

Terminal Transmits: **0 – 24 A (Low Power)**

Wire Size: **24 – 20 AWG**

[All RING TONGUE TERMINAL \(4\)](#)

**Features**

**Operation/Application**

Compatible With Wire Base Material	Copper
------------------------------------	--------

**Packaging Features**

Packaging Method	Reel
Packaging Quantity	14000

**Usage Conditions**

Insulation Option	Uninsulated
Operating Temperature (Max)	80 °C, 105 °C, 90 °C, 100 °C, 85 °C [221 °F] [176 °F][194 °F][185 °F][212 °F]
Operating Temperature Range	-65 – 105 °C [-85 – 221 °F]

**Termination Features**

Termination Method to Wire & Cable	Crimp
Product Terminates To	Wire

**Product Type Features**

Receptacle Style	180°
Sealable	No
Primary Locking Feature	Locking Lance

**Dimensions**



Compatible Insulation Diameter Range	1.4 mm[.055 in]
Wire Size	.2 – .5 mm <sup>2</sup>
Wire Size Search	.3 mm <sup>2</sup> , .25 mm <sup>2</sup> , .5 mm <sup>2</sup> , .4 mm <sup>2</sup> , .2 mm <sup>2</sup>

### Other

Customer Preferred Contact	No
Terminal Transmits	0 – 24 A (Low Power)
EU RoHS Compliance	Compliant
EU ELV Compliance	Compliant

### Contact Features

Typical Current Rating	3 A
Crimp Type	F-Crimp
Contact Size	.64mm
Contact Fabrication	Stamped & Formed
Wire Contact Termination Area Plating Material	Gold
Terminal Type	Receptacle
Mating Tab Width	.64 mm[.025 in]
Mating Tab Thickness	.64 mm[.025 in]
Interface Plating	Gold (Au)

### Product Compliance

[For compliance documentation, visit the product page on TE.com>](#)

EU RoHS Directive 2011/65/EU	Compliant
EU ELV Directive 2000/53/EC	Compliant
China RoHS 2 Directive MIIT Order No 32, 2016	No Restricted Materials Above Threshold
EU REACH Regulation (EC) No. 1907/2006	Current ECHA Candidate List: JUNE 2024 (241) Candidate List Declared Against: JUNE 2024 (241) Does not contain REACH SVHC
Halogen Content	Low Halogen - Br, Cl, F, I < 900 ppm per homogenous material. Also BFR/CFR/PVC Free
Solder Process Capability	Not applicable for solder process capability

Product Compliance Disclaimer

This information is provided based on reasonable inquiry of our suppliers and represents our current actual knowledge based on the information they provided. This information is subject to change. The part numbers that TE has identified as EU RoHS compliant have a maximum concentration of 0.1% by weight in homogenous materials for lead, hexavalent chromium, mercury, PBB, PBDE, DBP, BBP, DEHP, DIBP, and 0.01% for cadmium, or qualify for an exemption to these limits as defined in the Annexes of Directive 2011/65/EU (RoHS2). Finished electrical and electronic equipment products will be CE marked as required by Directive 2011/65/EU. Components may not be CE marked. Additionally, the part numbers that TE has identified as EU ELV compliant have a maximum concentration of 0.1% by weight in homogenous materials for lead, hexavalent chromium, and mercury, and 0.01% for cadmium, or qualify for an exemption to these limits as defined in the Annexes of Directive 2000/53/EC (ELV). Regarding the REACH Regulation, the information TE provides on SVHC in articles for this part number is based on the latest European Chemicals Agency (ECHA) 'Guidance on requirements for substances in articles' posted at this URL: <https://echa.europa.eu/guidance-documents/guidance-on-reach>

## Compatible Parts



TE Part # 843473-1  
EXTRACTION TOOL



TE Part # 2151263-1  
OCEAN\_2.0\_Applicator-S-055F062O-RSM



TE Part # 2151263-2  
OCEAN\_2.0\_Applicator-S-055F062O-RSA



TE Part # 2305570-1  
Strip Terminal Cutter-Side Feed-No Crimp



TE Part # 2383863-1  
SDE F MINI-TNDM SPNG 20-32AWG ASSY



TE Part # 2836664-1  
OCEAN\_2.0\_Applicator-S-042F055O-RSM



TE Part # 2836664-2  
OCEAN\_2.0\_Applicator-S-042F055O-RSA



TE Part # 5-2151263-1  
OCEAN\_2.0\_Applicator-S-055F062O-RSM



TE Part # 5-2151263-2  
OCEAN\_2.0\_Applicator-S-055F062O-RSA



TE Part # 7-2151263-7  
OCEAN\_2.0\_SPARE\_PART\_KIT-055F062O



TE Part # 7-2266250-7  
OC-055F062O-752-CRIMPTOOLINGKIT

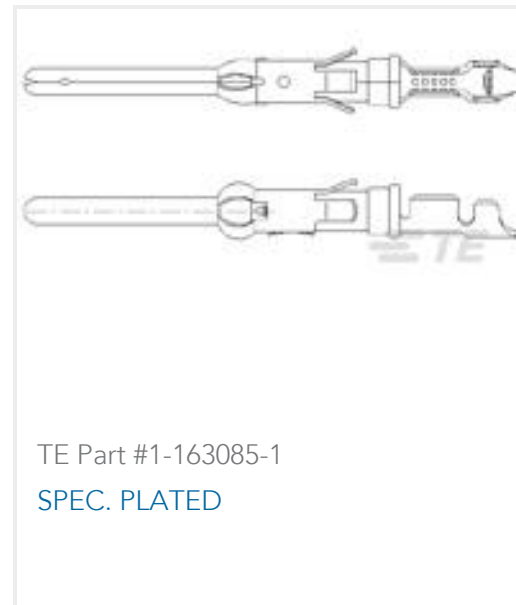


TE Part # 7-2836664-7  
OCEAN\_2.0\_SPARE\_PART\_KIT-042F055O



TE Part # 2383863-2  
SDE F MINI-TNDM SPNG 20-32AWG DIE SET

## Customers Also Bought



## Documents

### Product Drawings

#### TANDEM SPRING REC

English

### CAD Files

#### Customer View Model

[ENG\\_CVM\\_166500-2\\_Z.3d\\_igs.zip](#)

English

#### Customer View Model

[ENG\\_CVM\\_166500-2\\_Z.3d\\_stp.zip](#)

English

#### Customer View Model

[ENG\\_CVM\\_166500-2\\_Z.2d\\_dxf.zip](#)

English

### 3D PDF

English

By downloading the CAD file I accept and agree to the [Terms and Conditions](#) of use.



**Product Specifications**

**Application Specification**

English

**Application Specification**

German

**Application Specification**

English