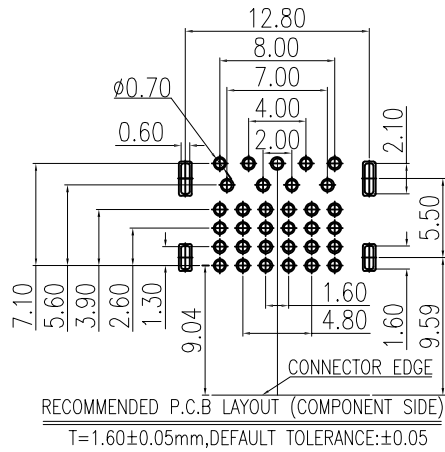
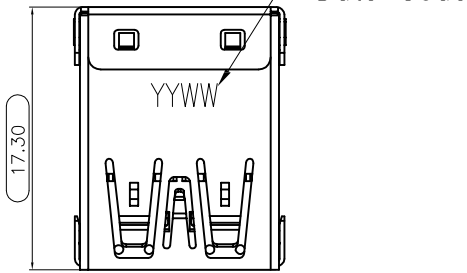
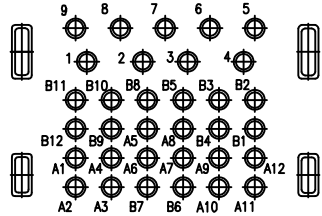


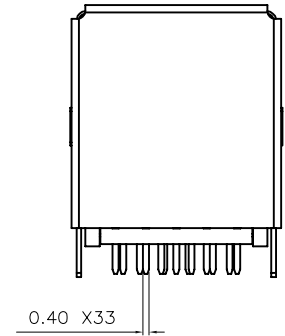
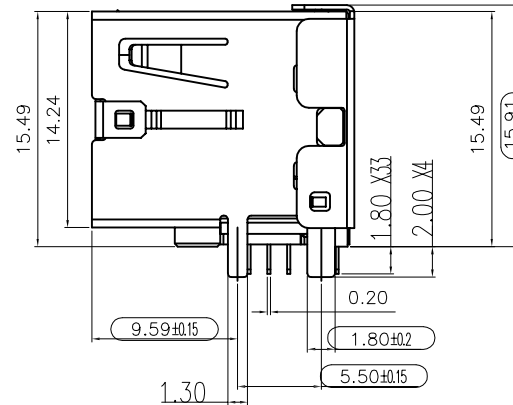
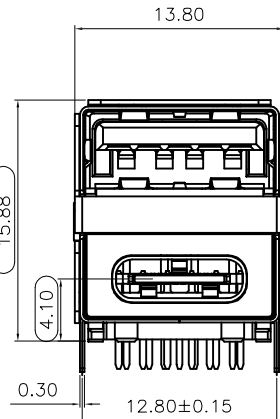
APPROVED: \_\_\_\_\_

DATE: \_\_\_\_\_ TITLE: \_\_\_\_\_

Rev	AWO #	Description	Date	Appr
-		RELEASED	11/12/19	
A		UPDATE DRAWING	10/22/20	LH/JL
B		UPDATE SPEC.	10/19/21	LH/NP
C		UPDATE SPEC.	12/10/21	WX/KC
D		UPDATE TITLE	5/11/26	WY/RC

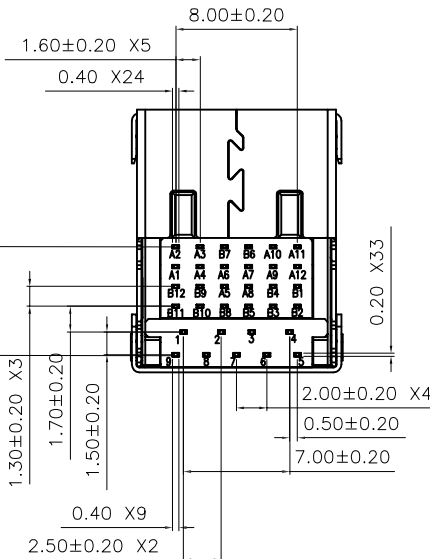


RECOMMENDED PCB LAYOUT



**SPECIFICATIONS:**

Material:  
 Insulator: High Temp Thermoplastic, rated UL 94V-0  
 Insulator color: Black  
 Contacts: Copper Alloy  
 Shell: Stainless Steel, SUS304, Nickel plated  
 Plating:  
 Gold flash over Nickel underplate on contact area,  
 Tin over Nickel underplate on solder tails  
 Electrical:  
 Voltage Rated: Type-C: 100 VAC  
 Current Rated: Type-A: 1.5 A max @250 VAC Min  
 Type-C: 5 A max @250 VAC Min  
 Contact resistance: Type A: 30 mohms  
 Type C: 40 mohms  
 Insulation resistance: 100 Mohms  
 Dielectric withstanding voltage: 100 VAC  
 Temperature Rating:  
 Operating temperature: -40°C to +85°C  
 Environmental:  
 Lead free, RoHS compliant.



**TYPE A PIN DEFINE**

PIN NUMBER	SIGNAL NAME
1	VBUS
2	D-
3	D+
4	GND
5	StdA_SSRX-
6	StdA_SSRX+
7	GND_DRAIN
8	StdA_SSTX-
9	StdA_SSTX+

**TYPE C PIN DEFINE**

A		B	
12	11	10	9
GND	TX1+	TX1-	VBUS
TX1-	VBUS	SBU2	SBU1
SBU2	SBU1	CC2	CC1
CC2	CC1	DB-	DB+
DB-	DB+	TX2-	TX2+
TX2-	TX2+	GND	GND

UNLESS OTHERWISE SPECIFIED ALL DIMENSIONS ARE MILLIMETERS. TOLERANCES: EXCEPT AS NOTED

MM	.X ± 0.38	ANGLE	.X ± 3°
	.XX ± 0.25		.XX ± 1°
DRAWN	LH	11/12/19	
CHECKED	TW	11/12/19	
APPROVED			

**CONFIDENTIAL AND PROPRIETARY**  
 © Adam Tech. All rights reserved. This document contains confidential and proprietary information belonging to Adam Tech. It is provided solely for design and reference purposes by authorized parties. Any reproduction, distribution, display, or disclosure to third parties, in whole or in part, without the prior written consent of Adam Tech, is strictly prohibited. Adam Tech retains all rights, including copyright, trademark, trade secret, and all other intellectual property rights worldwide.

**ADAM TECH**

909 Rahway Avenue,  
 Union, NJ 07083  
 Phone: 908-687-5000  
 adam-tech.com

TITLE: UNIVERSAL SERIAL BUS, DUAL PORT, RIGHT ANGLE  
 TYPE A 3.0 OVER C 3.1, PCB, TERMINALS  
 TRANSMISSION EFFICIENCY: USB 3.2 Gen 1 (5Gb/s)

SIZE	PART NO.	REV.
X	USB-A3/C31-D-RA-CS1	D
REF: S00013T	SCALE: NTS	SHEET 1 OF 1