

485003-1 ✓ ACTIVE

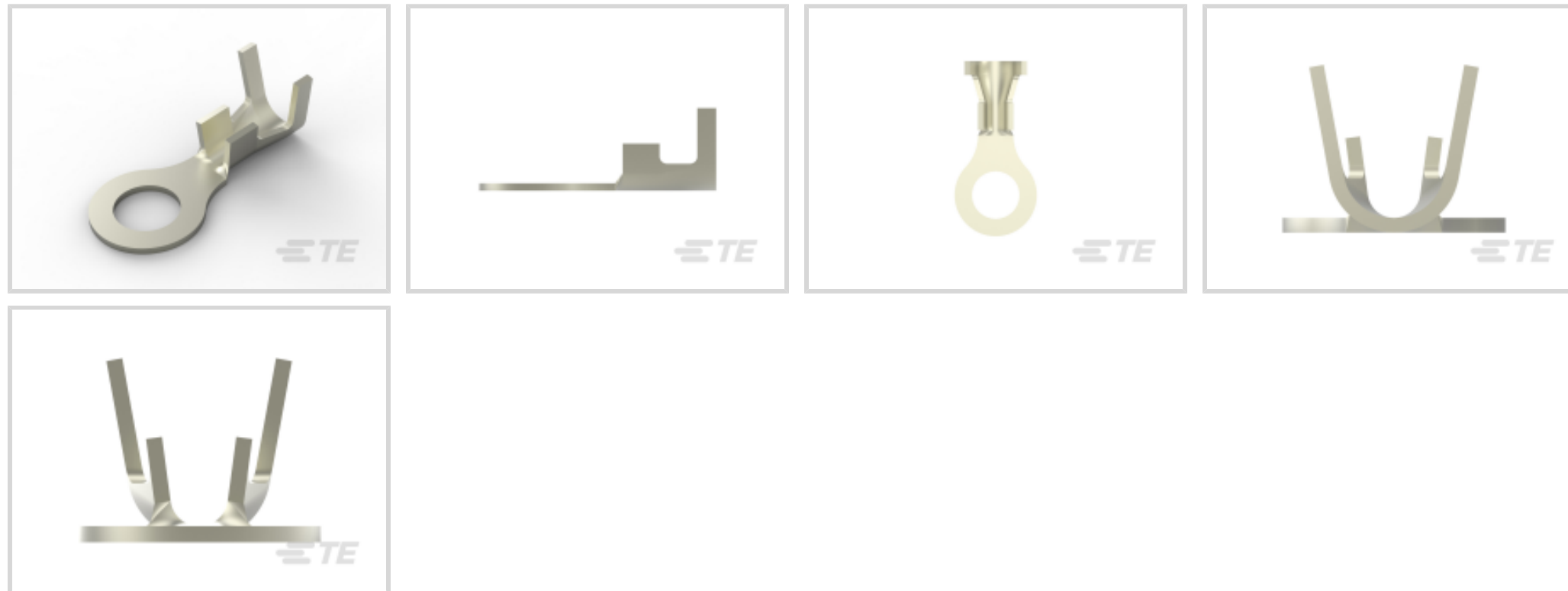
TE Internal #: 485003-1

Closed Ring Tongue Terminal, 22 – 18 AWG, #8 / M4 Stud Size,
4.34 mm [.171 in] Stud Diameter, Open Barrel, Straight, Nickel,
Uninsulated

[View on TE.com >](#)



Terminals & Splices > Ring Terminals



Ring Terminal Product Type: **Closed Ring Tongue Terminal**

Wire Size: **640 – 1624 CMA**

Stud Size: **#8, M4**

Features

Dimensions

| | |
|--------------------------------------|-------------------------------------|
| | .12 in |
| Wire Size | 640 – 1624 CMA |
| Stud Diameter | 4.34 mm [.171 in] |
| Tongue Thickness | .51 mm [.02 in] |
| Product Length | 16.26 mm [.64 in] |
| Barrel Inside Diameter | 1.77 mm, 3.42 mm [.135 in] [.07 in] |
| Compatible Insulation Diameter (Max) | 4.32 mm [.17 in] |
| Compatible Insulation Diameter Range | 3.05 – 4.32 mm [.12 – .17 in] |

Product Type Features

| | |
|--|-----------------------------|
| Ring Terminal Product Type | Closed Ring Tongue Terminal |
| Stud Size | #8, M4 |
| Sealable | No |
| Compatible With Discrete Wire Type | Stranded |
| Wire Insulation Support Retention Type | Insulation Support |
| Shape Description | Circular/Oval |
| Terminal Features | Sheared |



Contact Features

| | |
|-------------------------------|----------|
| Barrel Type | Open |
| Terminal Orientation | Straight |
| Terminal Plating Material | Nickel |
| Contact Underplating Material | None |
| Contact Base Material | Steel |

Usage Conditions

| | |
|-----------------------------|----------------------------|
| Insulation Option | Uninsulated |
| Operating Temperature Range | -40 – 250 °C[-40 – 482 °F] |

Operation/Application

| | |
|------------------------------------|--------|
| Compatible With Wire Base Material | Copper |
|------------------------------------|--------|

Packaging Features

| | |
|--------------------|------------|
| Packaging Method | Strip/Reel |
| Packaging Quantity | 9000 |

Other

| | |
|--------------------|-----------|
| EU RoHS Compliance | Compliant |
| EU ELV Compliance | Compliant |

Configuration Features

| | |
|-----------------|---|
| Number of Holes | 1 |
|-----------------|---|

Body Features

| | |
|----------------|--------|
| Product Weight | .354 g |
|----------------|--------|

Mechanical Attachment

| | |
|-------------------------|------|
| Wire Insulation Support | With |
|-------------------------|------|

Industry Standards

| | |
|-------------------------------|----|
| Government Qualified Terminal | No |
|-------------------------------|----|

Product Compliance

For compliance documentation, visit the product page on [TE.com](https://www.te.com)>

| | |
|---|---|
| EU RoHS Directive 2011/65/EU | Compliant |
| EU ELV Directive 2000/53/EC | Compliant |
| China RoHS 2 Directive MIIT Order No 32, 2016 | No Restricted Materials Above Threshold |



EU REACH Regulation (EC) No. 1907/2006

Current ECHA Candidate List: JUNE 2024 (241)

Candidate List Declared Against: JUNE 2024 (241)

Does not contain REACH SVHC

Halogen Content

Low Halogen - Br, Cl, F, I < 900 ppm per homogenous material. Also BFR/CFR/PVC Free

Solder Process Capability

Not applicable for solder process capability

Product Compliance Disclaimer

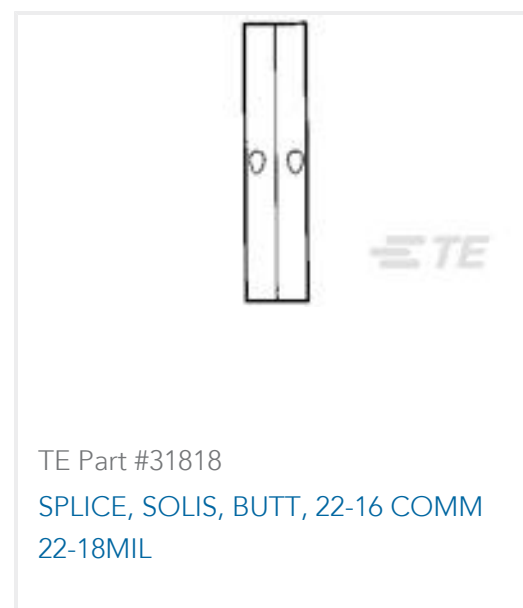
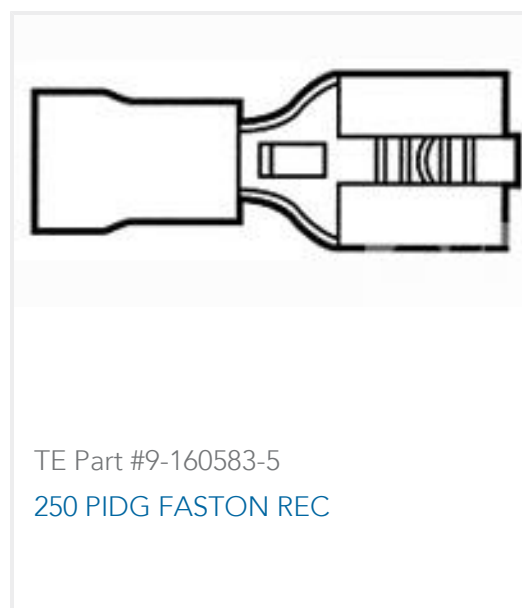
This information is provided based on reasonable inquiry of our suppliers and represents our current actual knowledge based on the information they provided. This information is subject to change. The part numbers that TE has identified as EU RoHS compliant have a maximum concentration of 0.1% by weight in homogenous materials for lead, hexavalent chromium, mercury, PBB, PBDE, DBP, BBP, DEHP, DIBP, and 0.01% for cadmium, or qualify for an exemption to these limits as defined in the Annexes of Directive 2011/65/EU (RoHS2). Finished electrical and electronic equipment products will be CE marked as required by Directive 2011/65/EU. Components may not be CE marked. Additionally, the part numbers that TE has identified as EU ELV compliant have a maximum concentration of 0.1% by weight in homogenous materials for lead, hexavalent chromium, and mercury, and 0.01% for cadmium, or qualify for an exemption to these limits as defined in the Annexes of Directive 2000/53/EC (ELV). Regarding the REACH Regulation, the information TE provides on SVHC in articles for this part number is based on the latest European Chemicals Agency (ECHA) 'Guidance on requirements for substances in articles' posted at this URL: <https://echa.europa.eu/guidance-documents/guidance-on-reach>

Compatible Parts





Customers Also Bought



Documents

Product Drawings

RING 22-18 AWG 0.0195 X 0.5 NPST

English

CAD Files

3D PDF

3D

Customer View Model

ENG_CVM_CVM_485003-1_K.2d_dxf.zip



English

Customer View Model

[ENG_CVM_CVM_485003-1_K.3d_igs.zip](#)

English

Customer View Model

[ENG_CVM_CVM_485003-1_K.3d_stp.zip](#)

English

By downloading the CAD file I accept and agree to the [Terms and Conditions](#) of use.

Product Specifications

[Application Specification](#)

English