

1-1564512-1 ✓ ACTIVE

AMP | Heavy Duty Sealed Connector Series

TE Internal #: 1-1564512-1

Housing for Male Terminals, Wire-to-Wire, 8 Position, 4 mm [.157 in] Centerline, Sealable, Black, Wire & Cable, Heavy Duty Sealed Connector Series

[View on TE.com >](#)



Connectors > Automotive Connectors > Automotive Housings > Heavy Duty Sealed Connector Series Housings



Connector System: **Wire-to-Wire**

Number of Positions: **8**

Connector & Housing Type: **Housing for Male Terminals**

Centerline (Pitch): **4 mm [.157 in]**

Sealable: **Yes**

[All Heavy Duty Sealed Connector Series Housings \(204\)](#)

## Features

### Product Type Features

Connector System	Wire-to-Wire
Connector & Housing Type	Housing for Male Terminals
Sealable	Yes
Connector & Contact Terminates To	Wire & Cable
Primary Locking Feature	On the Terminal
Mixed & Hybrid Connector	No
Connector Shape	Rectangular

### Configuration Features

Number of Positions	8
Number of Rows	2

### Housing Features

Centerline (Pitch)	4 mm [.157 in]
--------------------	----------------



Housing Material	PBT GF30
------------------	----------

### Contact Features

Mating Tab Width	1.6 mm[.063 in]
Contact Current Rating (Max)	10 A
Contact Size	1.6mm
Contact Type	Tab

### Body Features

Primary Product Color	Black
Connector & Keying Code	A
Cable Exit Angle	90°, 180°

### Operation/Application

Circuit Application	Power
---------------------	-------

### Mechanical Attachment

Connector Mounting Type	Cable Mount (Free-Hanging)
Terminal Position Assurance	No
Mating Alignment Type	Keyed
Mating Alignment	With

### Usage Conditions

Operating Temperature (Max)	140 °C[284 °F]
Operating Temperature Range	-40 – 140 °C[-40 – 284 °F]

### Other

Connector Position Assurance Capable	No
EU RoHS Compliance	Compliant
EU ELV Compliance	Compliant
Serviceable	Yes

### Electrical Characteristics

Operating Voltage	60 VDC
-------------------	--------

### Dimensions

Row-to-Row Spacing	6.9 mm[.272 in]
Product Width	47.1 mm[1.854 in]
Product Length	32.6 mm[1.283 in]
Connector Height	27 mm[1.063 in]



### Industry Standards

IP Rating	IP67
UL Flammability Rating	UL 94V-0

### Packaging Features

Packaging Quantity	320
Packaging Method	Carton

### Product Compliance

[For compliance documentation, visit the product page on TE.com>](#)

EU RoHS Directive 2011/65/EU	Compliant
EU ELV Directive 2000/53/EC	Compliant
China RoHS 2 Directive MIIT Order No 32, 2016	No Restricted Materials Above Threshold
EU REACH Regulation (EC) No. 1907/2006	Current ECHA Candidate List: JUNE 2024 (241) Candidate List Declared Against: JUNE 2024 (241) Does not contain REACH SVHC
Halogen Content	Not Low Halogen - contains Br or Cl > 900 ppm.
Solder Process Capability	Not applicable for solder process capability

#### Product Compliance Disclaimer

This information is provided based on reasonable inquiry of our suppliers and represents our current actual knowledge based on the information they provided. This information is subject to change. The part numbers that TE has identified as EU RoHS compliant have a maximum concentration of 0.1% by weight in homogenous materials for lead, hexavalent chromium, mercury, PBB, PBDE, DBP, BBP, DEHP, DIBP, and 0.01% for cadmium, or qualify for an exemption to these limits as defined in the Annexes of Directive 2011/65/EU (RoHS2). Finished electrical and electronic equipment products will be CE marked as required by Directive 2011/65/EU. Components may not be CE marked. Additionally, the part numbers that TE has identified as EU ELV compliant have a maximum concentration of 0.1% by weight in homogenous materials for lead, hexavalent chromium, and mercury, and 0.01% for cadmium, or qualify for an exemption to these limits as defined in the Annexes of Directive 2000/53/EC (ELV). Regarding the REACH Regulation, the information TE provides on SVHC in articles for this part number is based on the latest European Chemicals Agency (ECHA) 'Guidance on requirements for substances in articles' posted at this URL: <https://echa.europa.eu/guidance-documents/guidance-on-reach>

### Compatible Parts



TE Part # 1-1418479-1  
8POS,AMP MCP1.5K,REC. HSG,CODA



TE Part # 964972-1  
EINZELLEITERDICHTNG



TE Part # 2112293-1  
PROTECTION CAP,GROUP C,ASSY



TE Part # CAT-H3399-B128  
Heavy Duty Sealed Connector Series Backshells

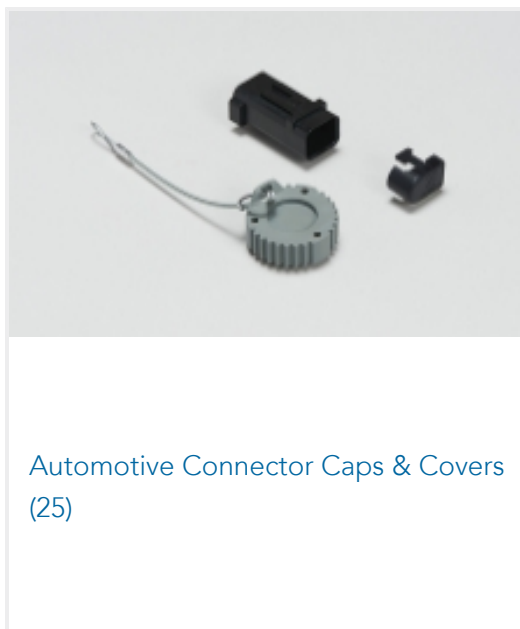


TE Part # CAT-T4827-T273  
TIMER, RECEPTACLE AND TAB

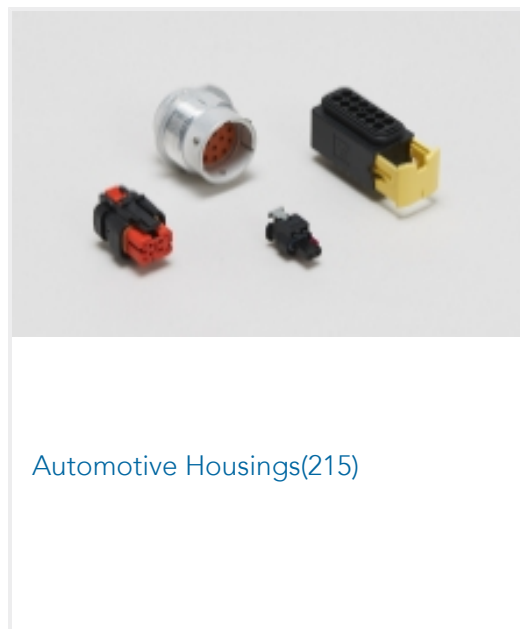


TE Part # 2-964269-2  
TAB A 1.6x0.6 CONTACT CF SWS Ag

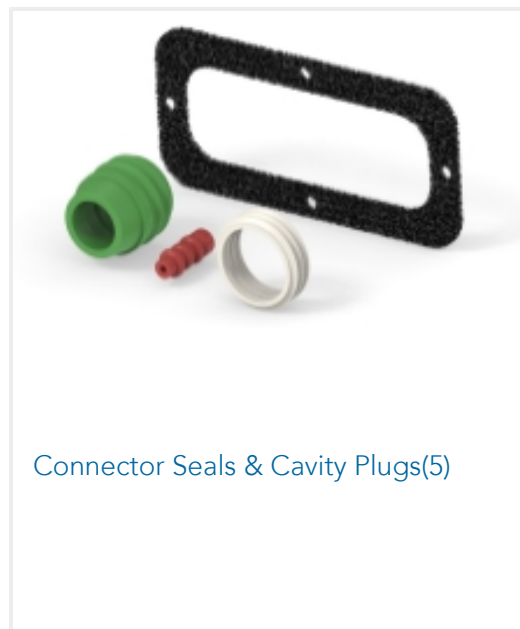
Also in the Series | **Heavy Duty Sealed Connector Series**



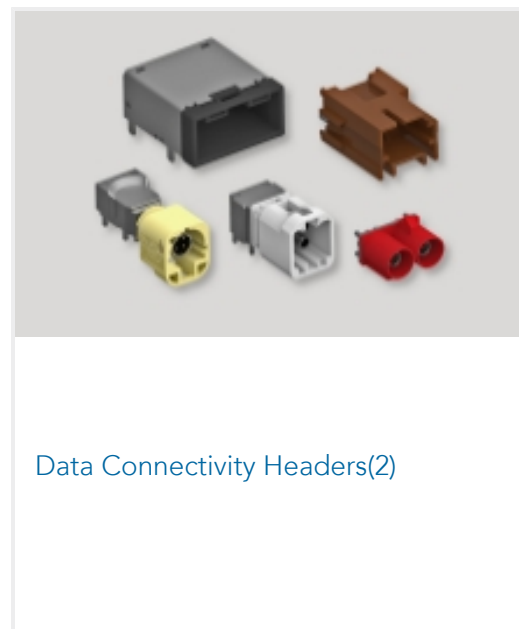
Automotive Connector Caps & Covers (25)



Automotive Housings(215)



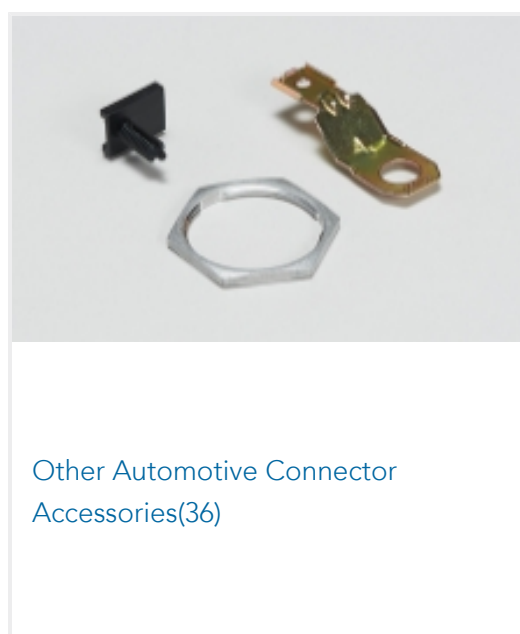
Connector Seals & Cavity Plugs(5)



Data Connectivity Headers(2)



Data Connectivity Housings(16)



Other Automotive Connector Accessories(36)



PCB Headers & Receptacles(1)

Customers Also Bought



TE Part #2-1703839-1  
Heavy Duty Sealed Connector Series Housings



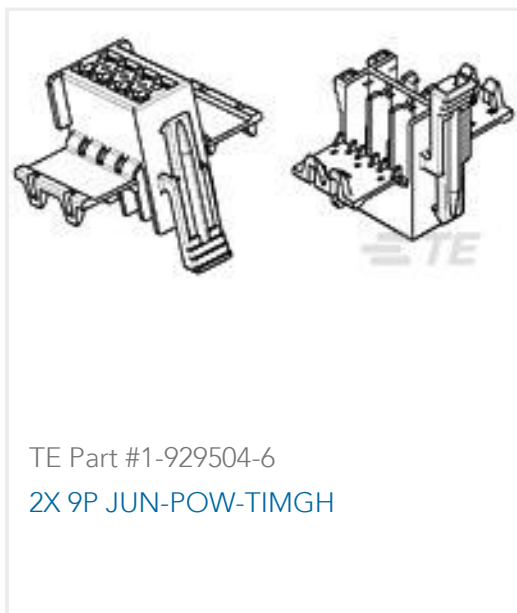
TE Part #963531-1  
BLINDSTOPFEN



TE Part #1670364-1  
Heavy Duty Sealed Connector Series Backshells



TE Part #964269-2  
TAB A 1.6x0.6 CONTACT CF SWS Sn



## Documents

### Product Drawings

8POS,TAB 1.6X0.6,TAB HSG,ASSY

English

### CAD Files

Customer View Model

[ENG\\_CVM\\_CVM\\_1-1564512-1\\_G.2d\\_dxf.zip](#)

English

3D PDF

3D

Customer View Model

[ENG\\_CVM\\_CVM\\_1-1564512-1\\_G.3d\\_igs.zip](#)

English

Customer View Model

[ENG\\_CVM\\_CVM\\_1-1564512-1\\_G.3d\\_stp.zip](#)

English

By downloading the CAD file I accept and agree to the [Terms and Conditions](#) of use.

### Datasheets & Catalog Pages

Heavy Duty Sealed Connector Series

English

HDSCS Catalog

English

CONNECTOR SELECTOR

English

### Product Specifications

Application Specification

English