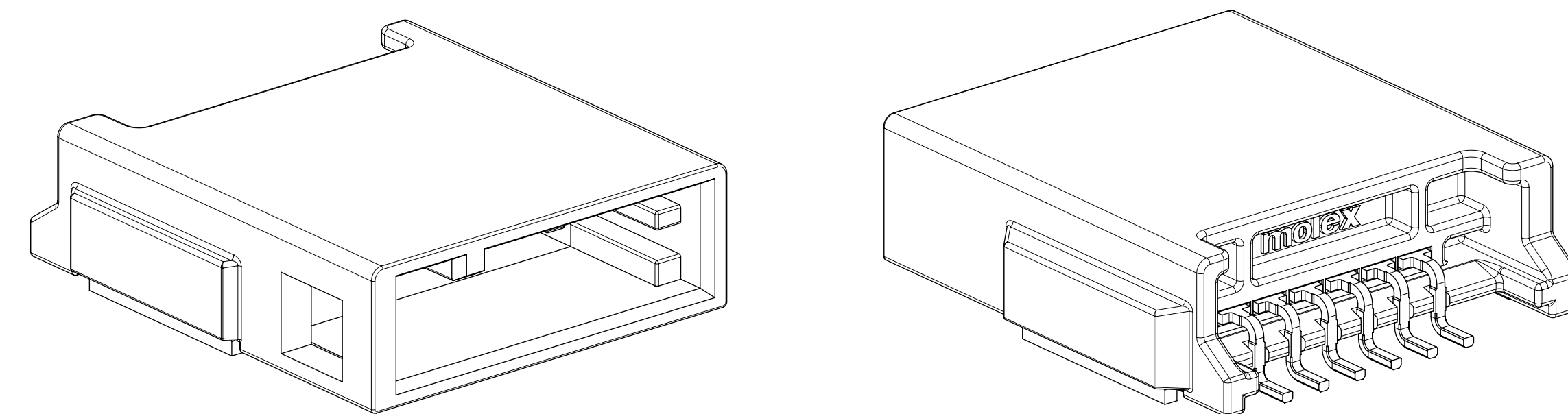


**EXAMPLE:**

PN 2080333041  
 208033 - SERIES NUMBER: SINGLE ROW RIGHT ANGLE SMT HEADER - STD. PERF.  
 3 - TYPE OF COMPONENT: V0 MATERIAL; FULLY POPULATED  
 04 - 4 USABLE CIRCUITS  
 1 - KEY A

FINAL PART: 4CKT SINGLE ROW RIGHT ANGLE V0 SMT HEADER - KEY A

# CONNTAK50 SINGLE ROW RIGHT ANGLE SMT HEADERS (6CKT SHOWN)



**NOTES:**

VALID UNLESS OTHERWISE SPECIFIED

- GENERAL:
  - APPLICATION SPECIFICATION SEE: 2046310000-AS
  - PRODUCT SPECIFICATION SEE: 2046310000-PS
  - PACKAGING SPECIFICATION PER MOLEX DRAWING: 2080333021-PK
    - PACKAGING IS TAPE & REEL
  - COMPATIBLE WITH STANDARD AK INTERFACE C-114-94000-20 REV A1
  - CONFORMS TO MOLEX AK INTERFACE 2046310001 REV A
    - MOLEX AK INTERFACE IS PART OF PPAP
  - TRACEABILITY MARKED IN AREA SHOWN. MARK IS CODED AS FOLLOWS:
    - ROW 1 ("XXXXXXXXXX" OR "XXXXXXXXXX-X"):
      - "XXXXXXXXXX" IS MOLEX PART NUMBER ("-X" INDICATES ASSEMBLY LINE NUMBER IF APPLICABLE)
      - "XXXXXXXXXX" IS MOLEX PART NUMBER ("-X" INDICATES ASSEMBLY LINE NUMBER IF APPLICABLE)
      - 1ST & 2ND DIGITS (HH): HOUR OF ASSEMBLY (24 HOUR CLOCK) (EXAMPLE: 15:00 --> "15", 7:00 --> "07")
      - 3RD THRU 5TH DIGITS (DDD): JULIAN DATE (EXAMPLE: FEBRUARY 3RD --> "034")
      - 6TH & 7TH DIGITS (YY): LAST 2 DIGITS OF CALENDAR YEAR (EXAMPLE: 2013 --> "13")
      - 8TH DIGIT (Z): PERFORMANCE MARKING.
- DESIGN - MATERIALS:
  - SHROUD (PLASTIC HOUSING): PA9T-GF30%
  - BLADES:
    - STANDARD PERFORMANCE BLADES
      - BASE MATERIAL: C26000 BRASS
      - UNDERPLATING (CONTACT REGION): NICKEL 1.0 - 1.8 μm
      - OVERPLATING (CONTACT REGION): MATTE TIN: 1.0 - 3.0 μm
- DESIGN - GEOMETRY:
  - GEOMETRIC DIMENSIONS AND TOLERANCES PER ASME Y14.5M-2009

	SERIES NUMBERS (AAAAAA)	TYPE OF COMPONENT (B)	USABLE CIRCUITS (CC)	KEY (D)
MATING COMPONENT	205827 - SR TANG RECEPTACLE	2 - STD MATL; FULLY POPULATED 3 - V0 MATL; FULLY POPULATED	02 - 2 Circuits	1 - KEY A
ON DRAWING	208037 - SR CLEAN BODY RECEPTACLE		...	2 - KEY B
	208033 - SR RIGHT ANGLE SMT HEADER - STANDARD PERF.		...	3 - KEY C
OTHER	208035 - SR VERTICAL SMT HEADER - STANDARD PERF.		11 - 11 Circuits	4 - KEY D

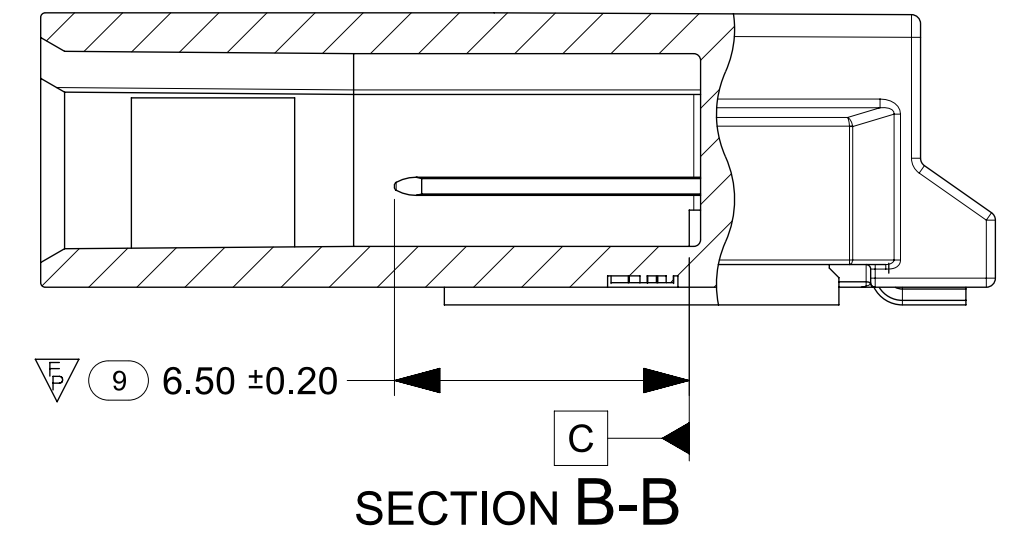
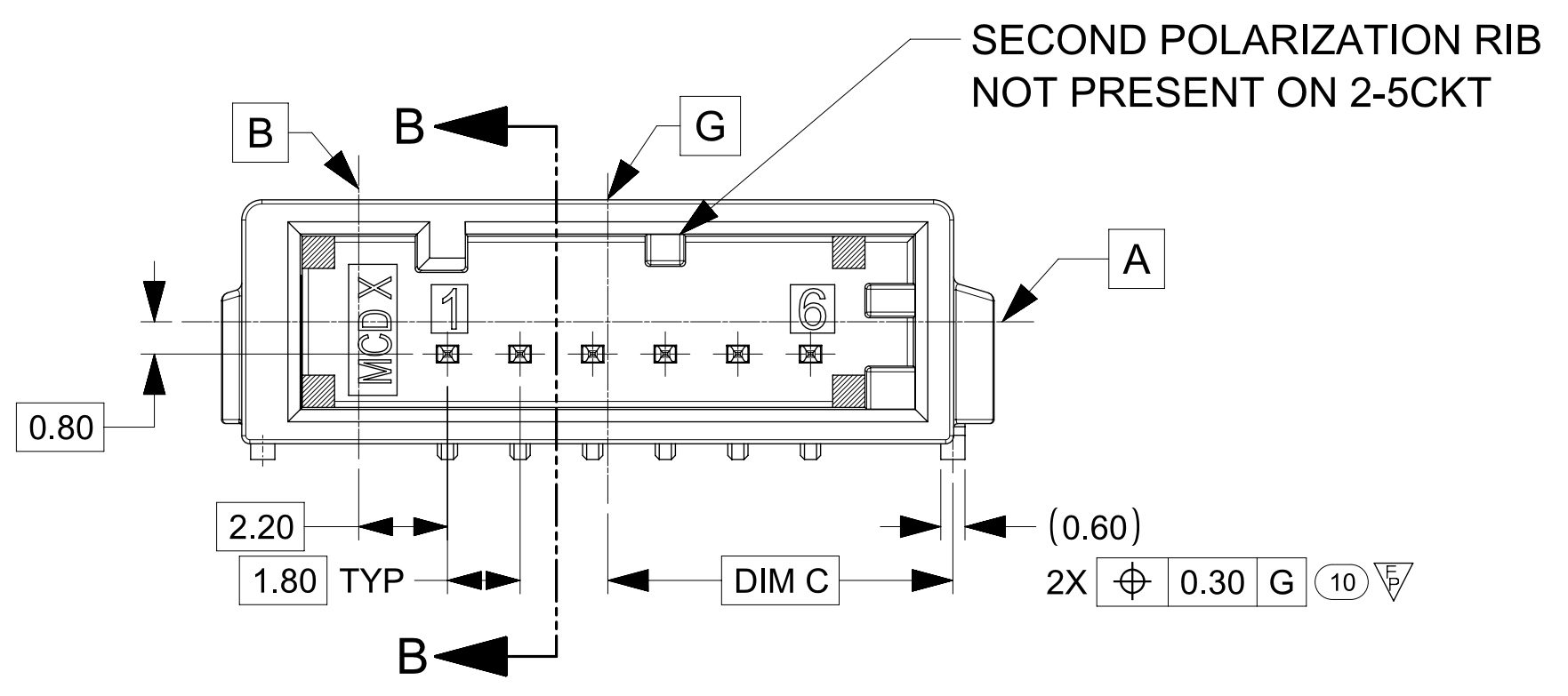
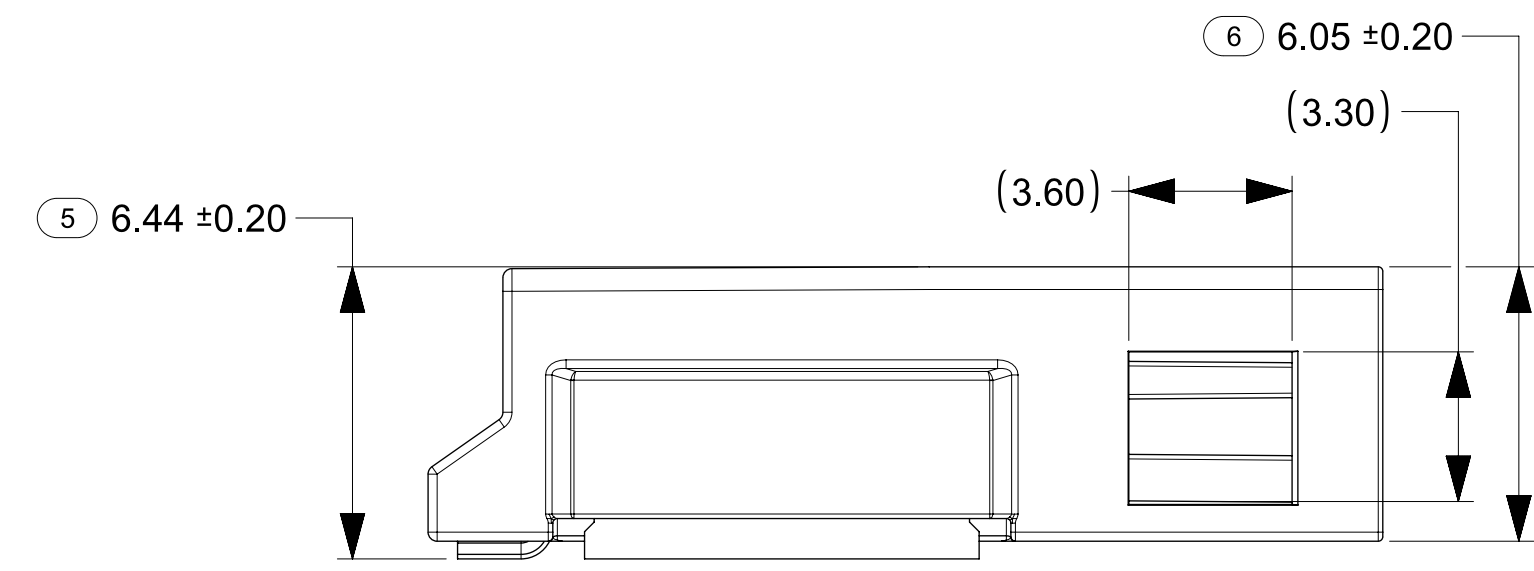
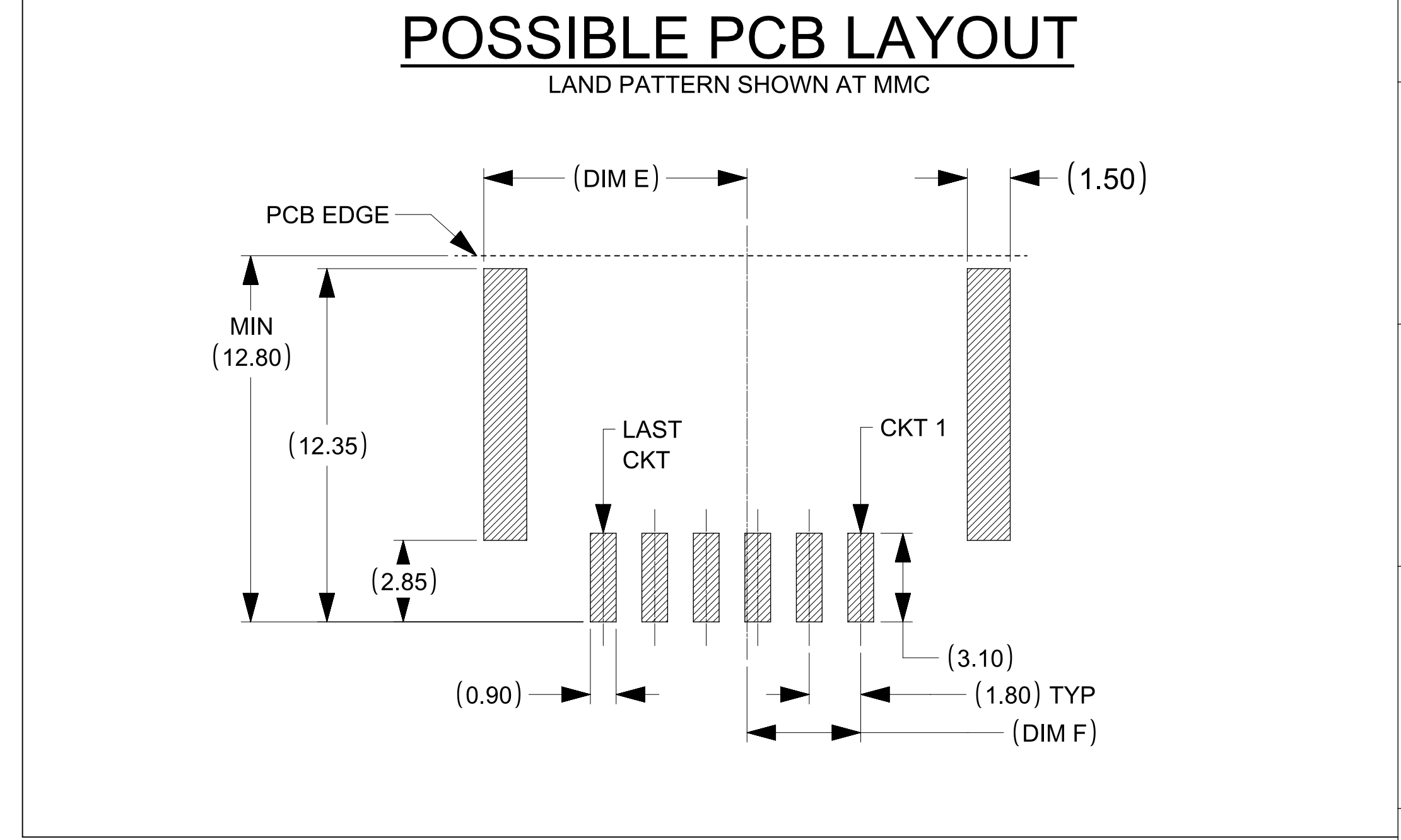
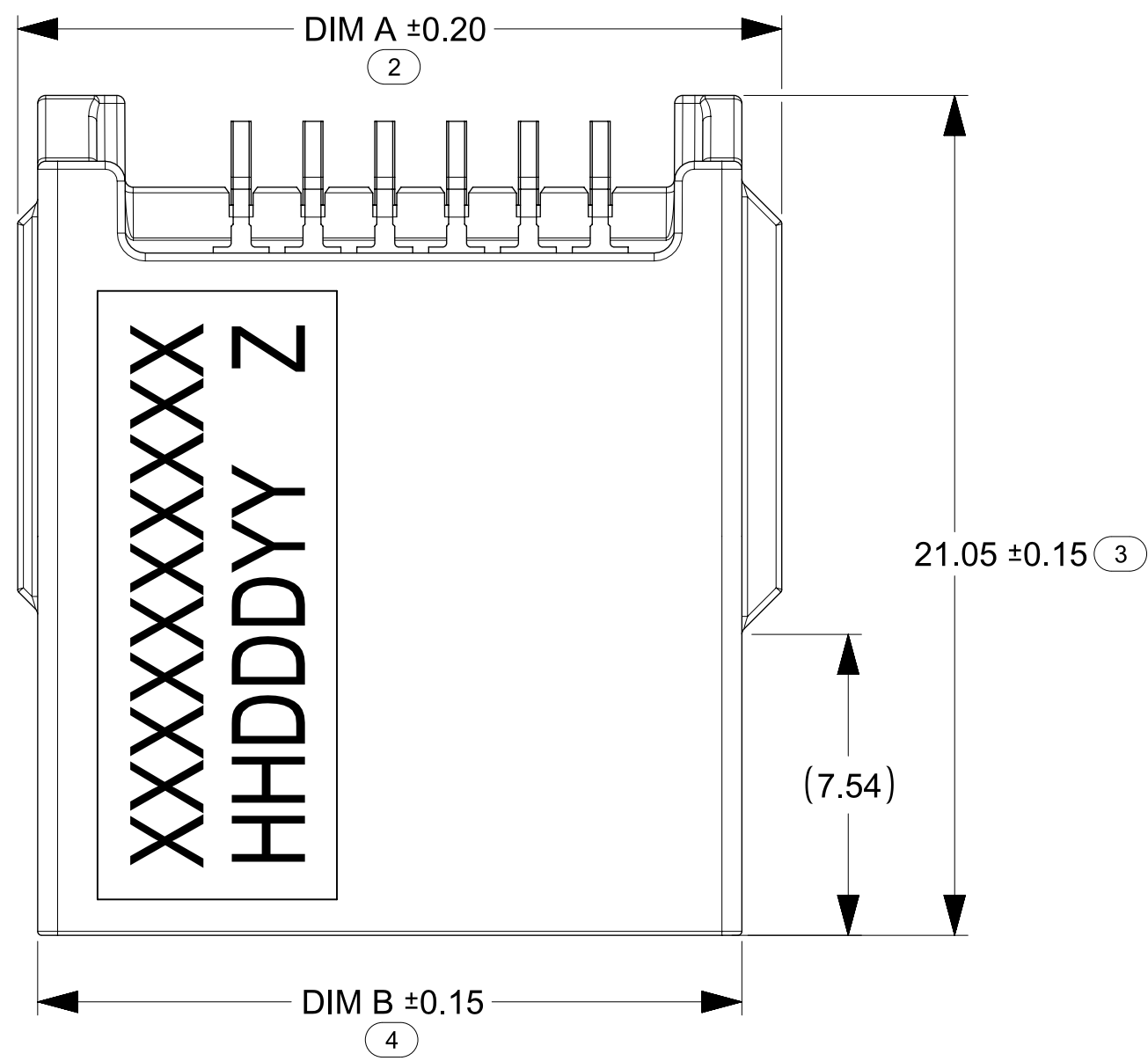
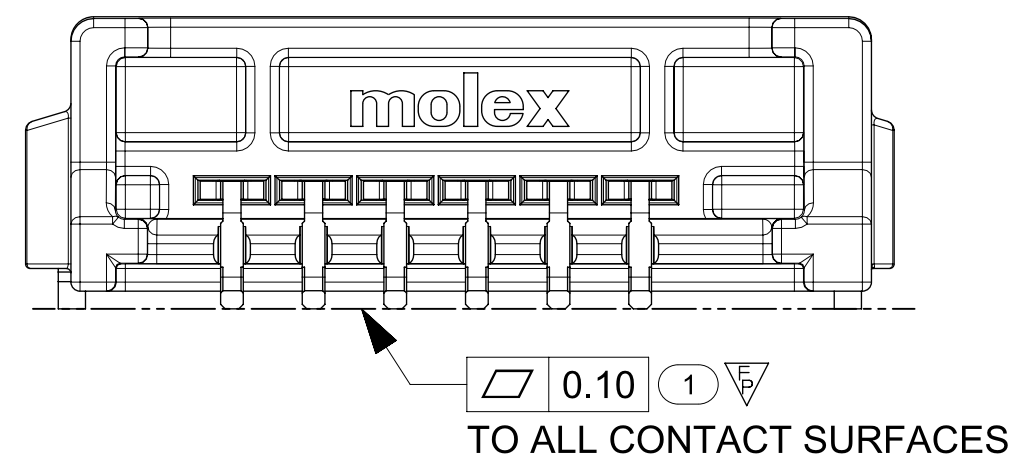
INTERFACE	INTERFACE CKT SIZE	DIM A	DIM B	DIM C	DIM D	DIM E	DIM F	KEY	COLOR	STANDARD PERF. RIGHT ANGLE V0 SMT HEADER		TOOLING STATUS
										PART NUMBER	WEIGHT (g)	
	2	11.95	10.45	4.95	0.375	5.60	0.375	A	BLACK	2080333021	1.14	AVAILABLE
								B	NATURAL	2080333022	1.14	
								C	BLUE	2080333023	1.14	
								D	VIOLET	2080333024	1.14	
	3	13.75	12.25	5.85	1.275	6.50	1.275	A	BLACK	2080333031	1.27	AVAILABLE
								B	NATURAL	2080333032	1.27	
								C	BLUE	2080333033	1.27	
								D	VIOLET	2080333034	1.27	
	4	15.55	14.05	6.75	2.175	7.40	2.175	A	BLACK	2080333041	1.40	AVAILABLE
								B	NATURAL	2080333042	1.40	
								C	BLUE	2080333043	1.40	
								D	VIOLET	2080333044	1.40	
	5	17.35	15.85	7.65	3.075	8.30	3.075	A	BLACK	2080333051	1.53	AVAILABLE
								B	NATURAL	2080333052	1.53	
								C	BLUE	2080333053	1.53	
								D	VIOLET	2080333054	1.53	
	6	19.15	17.65	8.55	3.975	9.20	3.975	A	BLACK	2080333061	1.66	AVAILABLE
								B	NATURAL	2080333062	1.66	
								C	BLUE	2080333063	1.66	
								D	VIOLET	2080333064	1.66	
	7	20.95	19.45	9.45	4.875	10.10	4.875	A	BLACK	2080333071	-	INQUIRE FOR AVAILABILITY
								B	NATURAL	2080333072	-	
								C	BLUE	2080333073	-	
								D	VIOLET	2080333074	-	
	8	22.75	21.25	10.35	5.775	11.00	5.775	A	BLACK	2080333081	-	INQUIRE FOR AVAILABILITY
								B	NATURAL	2080333082	-	
								C	BLUE	2080333083	-	
								D	VIOLET	2080333084	-	
	9	24.55	23.05	11.25	6.675	11.90	6.675	A	BLACK	2080333091	-	INQUIRE FOR AVAILABILITY
								B	NATURAL	2080333092	-	
								C	BLUE	2080333093	-	
								D	VIOLET	2080333094	-	
	10	26.35	24.85	12.15	7.575	12.80	7.575	A	BLACK	2080333101	-	INQUIRE FOR AVAILABILITY
								B	NATURAL	2080333102	-	
								C	BLUE	2080333103	-	
								D	VIOLET	2080333104	-	
	11	28.15	26.65	13.05	8.475	13.70	8.475	A	BLACK	2080333111	-	INQUIRE FOR AVAILABILITY
								B	NATURAL	2080333112	-	
								C	BLUE	2080333113	-	
								D	VIOLET	2080333114	-	

PERFORMANCE MARK: S

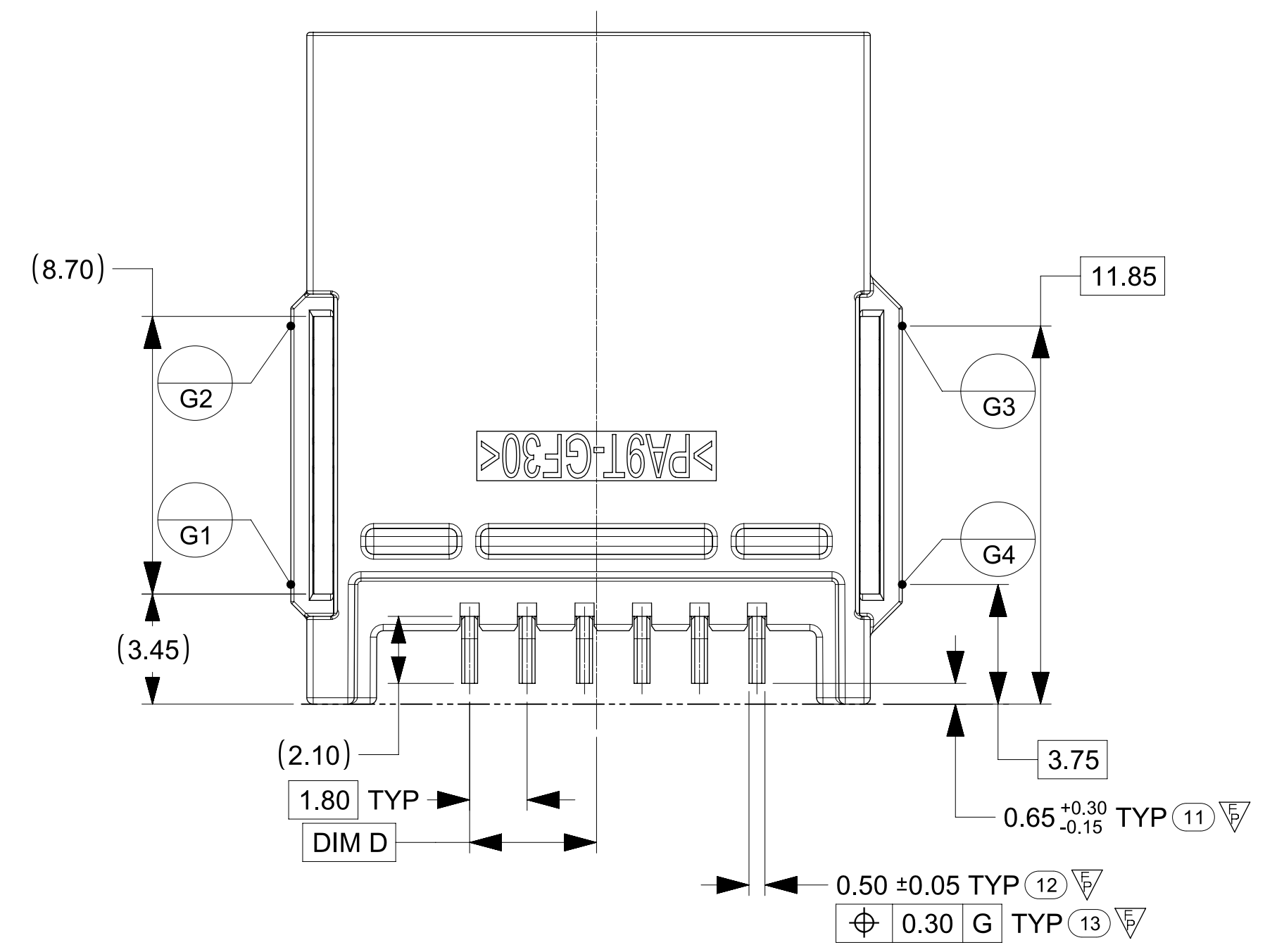
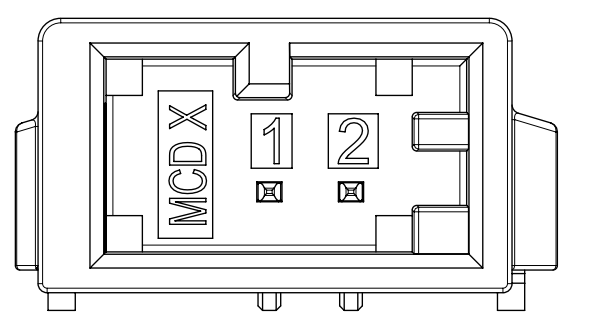
INSPECTION BALLOON LOG		B5	ADDED WEIGHT TO BOM TABLE
PER DRAWING REVISION: B5		B4	UPDATED: POL B COLOR FROM GREY TO NATURAL IN BOM
LAST BALLOON USED: 13		B3	NO CHANGE TO SALES DRAWING, CHANGED ENGINEERING AND ASSEMBLY DRAWINGS
ADDED BALLOON NUMBERS:		B2	UPDATED TOLERANCE ON DIM 6 FROM 0.05 TO 0.20MM
REMOVED BALLOON NUMBERS:		B1	UPDATED SR CLEAN BODY SERIES NUMBER SHOWN IN TABLE, CORRECTED DIM D
THIS DRAWING CONTAINS INFORMATION THAT IS PROPRIETARY TO MOLEX ELECTRONIC TECHNOLOGIES, LLC AND SHOULD NOT BE USED WITHOUT WRITTEN PERMISSION		B	REMOVED DATUMS D, E, & F; ADDED DATUM G; UPDATED PCB LAYOUT; REMOVED DIM 7, 8; ADDED DIMS 10, 11, 12, 13; REMOVED HIGH PERFORMANCE PART NUMBERS; UPDATED STANDARD PERFORMANCE PLATING
CURRENT REV DESC: Weight Column added to BOM Table		A3	UPDATED DIMS 7 & 8 FROM 0.20 TO 0.25MM; UPDATED DIM E; ADDED DIM 9
FUNCTIONAL SYMBOLS		A2	UPDATED VARIABLE DIMENSION TABLE; ORDER OF VARIABLE DIMENSIONS HAS CHANGED; DIM G IS CREATED.
DIMENSION UNITS: MM		A1	LATCH WALL MODIFICATION; DATUM D & DATUM E CHANGE; TRACEABILITY MARKINGS ADDED
SCALE: 5:1		REV	DESCRIPTION
GENERAL TOLERANCES (UNLESS SPECIFIED)			
ANGULAR TOL ± 0.5°			
DIVISIONAL SYMBOLS			
4 PLACES ±			
3 PLACES ±			
2 PLACES ±			
1 PLACE ±			
0 PLACES ±			
DRAFT WHERE APPLICABLE MUST REMAIN WITHIN DIMENSIONS			
THIRD ANGLE PROJECTION			
STATUS: Production			
DRWN: Skyler Russ		2025-02-05	
CHK'D: Skyler Russ		2025-02-11	
APPR: Jeremy Dunaj		2025-02-11	
DRAWING		SERIES	
D-SIZE		208033	
MATERIAL NUMBER		CUSTOMER	
SEE TABLE		GENERAL MARKET	
DOCUMENT NUMBER		REVISION	
2080330003		PSD 000 B5	
SHEET NUMBER		1 OF 2	

6CKT KEY A (2080333061) SHOWN EXCEPT WHERE NOTED

REFER TO 2046310001 FOR INTERFACE DIMENSIONS



2CKT SHOWN FOR REFERENCE



KEYING OPTIONS			
<b>KEY A</b> (BLACK)  SCALE 8:1	<b>KEY B</b> (GREY)  SCALE 8:1	<b>KEY C</b> (BLUE)  SCALE 8:1	<b>KEY D</b> (VIOLET)  SCALE 8:1

FUNCTIONAL SYMBOLS $F_A = 0$ $F_C = 0$ $F_P = 6$	DIMENSION UNITS <b>MM</b>	SCALE <b>6:1</b>	THIS DRAWING CONTAINS INFORMATION THAT IS PROPRIETARY TO MOLEX ELECTRONIC TECHNOLOGIES, LLC AND SHOULD NOT BE USED WITHOUT WRITTEN PERMISSION			
			CURRENT REV DESC: Weight Column added to BOM Table			
DIVISIONAL SYMBOLS 4 PLACES ± 3 PLACES ± 2 PLACES ± 1 PLACE ± 0 PLACES ±	GENERAL TOLERANCES (UNLESS SPECIFIED) ANGULAR TOL ± 0.5°		STATUS: Production DRWN: Skyler Russ CHK'D: Skyler Russ APPR: Jeremy Dunaj			
	DRAFT WHERE APPLICABLE MUST REMAIN WITHIN DIMENSIONS		THIRD ANGLE PROJECTION		DRAWING <b>D-SIZE</b>	
	DIMENSIONS		SERIES <b>208033</b>	MATERIAL NUMBER <b>2080330003</b>	CUSTOMER GENERAL MARKET	SHEET NUMBER <b>2 OF 2</b>
	PRODUCT CUSTOMER DRAWING		DOCUMENT NUMBER <b>2080330003</b>	DOC TYPE <b>PSD</b>	DOC PART <b>000</b>	REVISION <b>B5</b>
	CONNTAK50 SR R/A SMT SALES DRAWING (SINGLE ROW RIGHT ANGLE SMT HEADER)		MOLEX			