

140787-2 ✓ ACTIVE

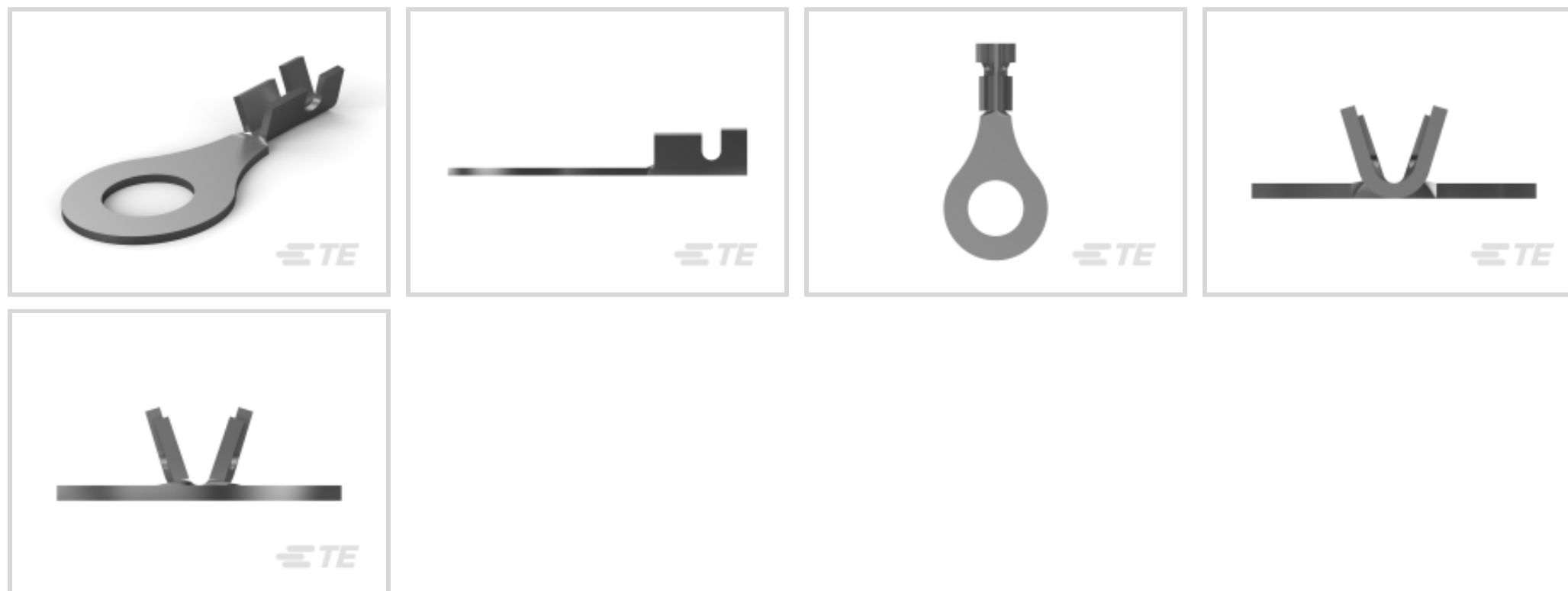
TE Internal #: 140787-2

Closed Ring Tongue Terminal, 22 – 16 AWG, 5/16 / M8 Stud Size,
8.3 mm [.327 in] Stud Diameter, Open Barrel, Straight, Tin,
Uninsulated

[View on TE.com >](#)



Terminals & Splices > Ring Terminals



Ring Terminal Product Type: **Closed Ring Tongue Terminal**

Wire Size: **640 – 1624 CMA**

Stud Size: **M8, 5/16**

Features

Product Type Features

Ring Terminal Product Type	Closed Ring Tongue Terminal
Stud Size	M8, 5/16
Sealable	No
Compatible With Discrete Wire Type	Stranded
Wire Insulation Support Retention Type	Insulation Support
Shape Description	RING-001

Dimensions

Wire Size	640 – 1624 CMA
Stud Diameter	8.3 mm [.327 in]
Tongue Thickness	.64 mm [.025 in]
Product Length	24.8 mm [.976 in]
Barrel Inside Diameter	.89 mm, 1.78 mm [.035 in] [.07 in]
Compatible Insulation Diameter (Max)	3.05 mm [.12 in]
Compatible Insulation Diameter Range	1.52 – 3.05 mm [.06 – .12 in]

Contact Features

Barrel Type	Open
-------------	------



Terminal Orientation	Straight
----------------------	----------

Terminal Plating Material	Tin
---------------------------	-----

Usage Conditions

Insulation Option	Uninsulated
-------------------	-------------

Operating Temperature Range	-40 – 105 °C[-40 – 221 °F]
-----------------------------	----------------------------

Operation/Application

Compatible With Wire Base Material	Copper
------------------------------------	--------

Packaging Features

Packaging Method	Reel
------------------	------

Packaging Quantity	5000
--------------------	------

Other

EU RoHS Compliance	Compliant
--------------------	-----------

EU ELV Compliance	Compliant
-------------------	-----------

Configuration Features

Number of Holes	1
-----------------	---

Body Features

Product Weight	1.39 g
----------------	--------

Mechanical Attachment

Wire Insulation Support	With
-------------------------	------

Industry Standards

Government Qualified Terminal	No
-------------------------------	----

Product Compliance

[For compliance documentation, visit the product page on TE.com>](#)

EU RoHS Directive 2011/65/EU	Compliant
------------------------------	-----------

EU ELV Directive 2000/53/EC	Compliant
-----------------------------	-----------

China RoHS 2 Directive MIIT Order No 32, 2016	No Restricted Materials Above Threshold
---	---

EU REACH Regulation (EC) No. 1907/2006	Current ECHA Candidate List: JUNE 2024 (241) Candidate List Declared Against: JUNE 2024 (241) Does not contain REACH SVHC
--	---

Halogen Content	Low Halogen - Br, Cl, F, I < 900 ppm per
-----------------	--

homogenous material. Also BFR/CFR/PVC Free

Solder Process Capability

Not applicable for solder process capability


Product Compliance Disclaimer

This information is provided based on reasonable inquiry of our suppliers and represents our current actual knowledge based on the information they provided. This information is subject to change. The part numbers that TE has identified as EU RoHS compliant have a maximum concentration of 0.1% by weight in homogenous materials for lead, hexavalent chromium, mercury, PBB, PBDE, DBP, BBP, DEHP, DIBP, and 0.01% for cadmium, or qualify for an exemption to these limits as defined in the Annexes of Directive 2011/65/EU (RoHS2). Finished electrical and electronic equipment products will be CE marked as required by Directive 2011/65/EU. Components may not be CE marked. Additionally, the part numbers that TE has identified as EU ELV compliant have a maximum concentration of 0.1% by weight in homogenous materials for lead, hexavalent chromium, and mercury, and 0.01% for cadmium, or qualify for an exemption to these limits as defined in the Annexes of Directive 2000/53/EC (ELV). Regarding the REACH Regulation, the information TE provides on SVHC in articles for this part number is based on the latest European Chemicals Agency (ECHA) 'Guidance on requirements for substances in articles' posted at this URL: <https://echa.europa.eu/guidance-documents/guidance-on-reach>

Compatible Parts



TE Part # 2150318-2
OCEAN_2.0_Applicator-E-110F1400-REA



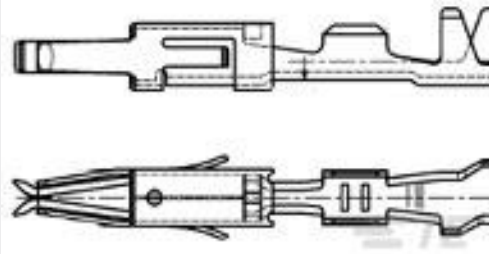
KIT
REPRESENTATION ONLY

TE Part # 7-2150318-7
OCEAN_2.0_SPARE_PART_KIT-110F1400

Customers Also Bought



TE Part #284229-1
MQS, CONNECTOR HOUSING



TE Part #962875-2
MT2 REC 1.6 Contact SWS Sn



TE Part #1-1924067-4
2POS, MCON 1.2 CB REC 2p TL SEALED



TE Part #1745003-1
18 POS. FRAME ASSY CRIMP/CRIMP



TE Part #2098963-1
30 WAY SHIELD ASSEMBLY, KEY AD



TE Part #2236046-8
32POS, MIXED, MALE CONN., CLIP2, COD B



TE Part #284443-7
COVER + LEVER FOR 12 POS M.Q.S



TE Part #284087-1
.070 NEW GEN RCPT CONT 0.30 T

Documents



Product Drawings

TERMINAL RING TONGUE 22-16

French

CAD Files

Customer View Model

[ENG_CVM_140787-2_D.3d_igs.zip](#)

English

Customer View Model

[ENG_CVM_140787-2_D.3d_stp.zip](#)

English

Customer View Model

[ENG_CVM_140787-2_D.2d_dxf.zip](#)

English

3D PDF

English

3D PDF

3D

Customer View Model

[ENG_CVM_CVM_140787-2_K.2d_dxf.zip](#)

English

Customer View Model

[ENG_CVM_CVM_140787-2_K.3d_igs.zip](#)

English

Customer View Model

[ENG_CVM_CVM_140787-2_K.3d_stp.zip](#)

English

By downloading the CAD file I accept and agree to the [Terms and Conditions](#) of use.

Product Specifications

Application Specification

English

Agency Approvals

Agency Approval Document

English