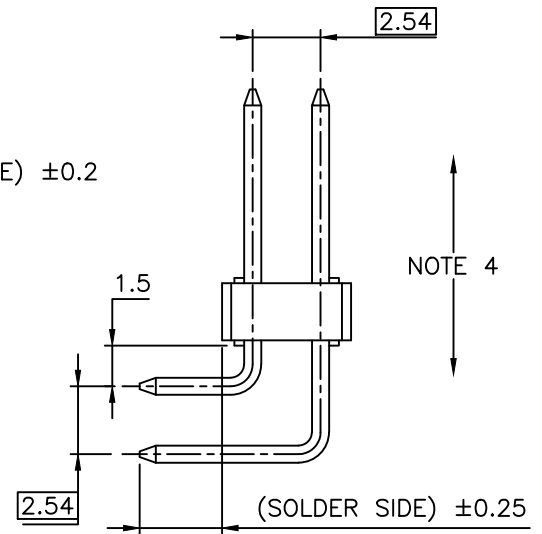
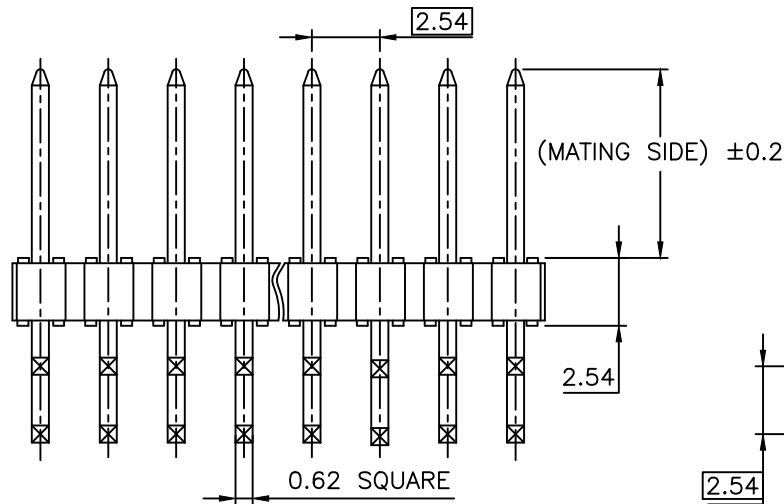
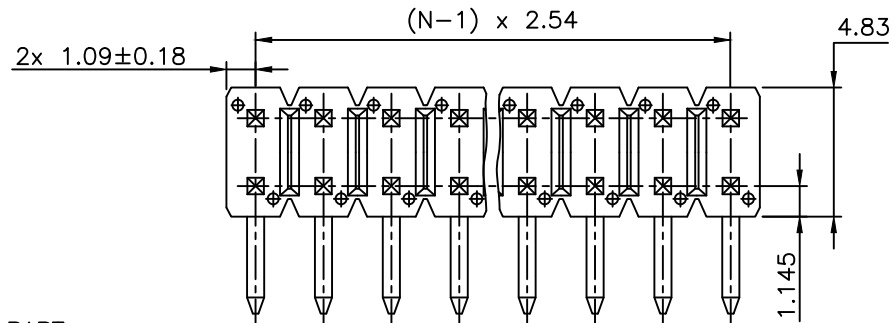
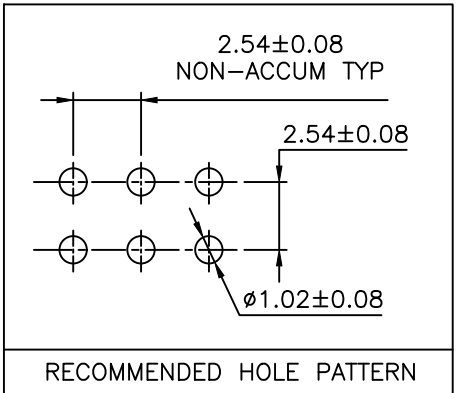


PRODUCT NUMBER
77317-YXX-XXLF

- RoHS COMPATIBLE
SEE NOTE 7
- TOTAL NB OF POSITIONS 02 TO 72
- PACKAGING, SEE NOTE 3
(MAY BE SUBJECT TO TOOLING FEES)
- PIN STYLE, SEE SHEET 2
(AS AVAILABLE)
- PLATING, SEE SHEET 2
(AS AVAILABLE)

EXTENDED RANGE

- TOOLING FEASIBILITY CONFIRMED
- SAMPLES ON DEMAND
- AVAILABILITY ON DEMAND



NOTES:

1. HOUSING MATERIAL : HIGH TEMPERATURE THERMOPLASTIC. UL94V-0 COLOR: BLACK
2. PIN MATERIAL : PHOSPHOR BRONZE
3. PACKAGING:
 - PACKAGING POLYBAG OR BLIBOX
 - "BL" BLIBOX PACK FOR CUSTOMER DEDICATED PART
 - "V" BLIBOX PACK FOR CUSTOMER DEDICATED PART
4. 9N MIN RETENTION IN EITHER DIRECTION
5. TO DETERMINE DIMENSIONS :
N = NUMBER OF POSITIONS PER ROW
EXAMPLE : 8 POS N x 2.54 = 20.32mm
6. UNDERPLATING : 1.27µm Ni MIN
7. RoHS COMPATIBLE PRODUCT SPECIFICATIONS
 - a - PLATING:
 - "LF" MEANS THE PRODUCT IS LEAD-FREE, 2µm MINIMUM MATTE TIN OVER 1.27µm MINIMUM NICKEL UNDERPLATE.
 - b - MANUFACTURING PROCESS COMPATIBILITY
 - THE HOUSING WILL WITHSTAND EXPOSURE TO 260°C ±5°C SOLDER BATH TEMPERATURE FOR 5 SECONDS IN A WAVE SOLDER APPLICATION WITH A 1.6mm MIN THICK CIRCUIT BOARD.
 - c - LABELING:
 - MEETS PACKAGING SPECS AS PER GS-14-920
 - d - LEGAL STATEMENT: SEE GS-47-0004
8. THIS PART SERIES IS NOT INITIALLY INTENDED FOR AUTOMOTIVE APPLICATIONS. ADDITIONAL FEES ARE CHARGEABLE FOR ANY ADDITIONAL QUALIFICATION AND TEST REPORTS PERFORMED OUTSIDE THE SCOPE OF THE STANDARD PRODUCT SPECIFICATIONS.
9. UNLESS OTHERWISE APPROVED BY AMPHENOL, ALL PARTS AND COMPONENTS ARE DESIGNED & BUILT ACCORDING TO AMPHENOL'S SPECIFICATIONS WHICH ARE SUBJECT TO CHANGE WITHOUT NOTICE.

mat'l. code		surface		tolerance		projection		product family	
SEE NOTES		ISO 1302		ISO 406 ISO 1101		mm		BERGSTIK	
ltr	ecn no	dr	date	tolerances unless otherwise specified		mm		title	
AR	F-47094	DDE	23.01.23	angles	linear	x.x ±0.3		UNSHR.HEADER	
AS	F-50791	LMU	24.02.21			x.xx ±0.13		RA DR TMT	
AT	F-54509	DDE	25.02.06			x.xxx ±0.05		scale 5:1	
AU	F-55489	DDE	25.04.16	dr	D.LEGRAND	01.01.24		dwg no	
AV	F-285593	DDE	26.04.08	enfr	J.COMPAGNON	01.01.24		sheet 1 of 2	
				chr	J.COMPAGNON	01.01.24		size	
AP	F-38414	DDE	20.09.18	appd	JF.NOTTEAU	01.01.24		A3	
sheet	revision	AU	AN					type	
index	sheet	1	2					CUSTOMER Drawing	

PLATING:

- 1 = 0.76µm GOLD/GXT ON CONTACT AREA, 2µm TIN MIN ON TAIL
- 4 = 2µm TIN MIN FULL PLATED
- 8 = 0.38µm GOLD/GXT ON CONTACT AREA, 2µm TIN MIN ON TAIL
- G = 0.76µm FULL GXT
- S = 0.38µm FULL GXT
- 1.27µm NICKEL MIN UNDERLAYER FOR ALL PLATING VERSIONS

PRODUCTS SPECIFICATIONS		
PIN STYLE	MATING	SOLDER
01	5.72	2.57
03	5.84	2.41
04	5.84	3.05
10	8.07	3.05
12	6.80	3.05
14	10.00	2.70
15	7.00	16.40
16	7.80	13.50
18	8.80	2.90
19	2.60	2.60
20	N/A	
21	10.89	3.05
22	3.51	3.51
23	7.20	3.05
24	3.10	3.10
25	8.08	3.81
26	6.00	7.20

A

A

B

B

C

C

D

D

Amphenol FCI connect.com

Copyright FCI

mat'l. code SEE NOTES				surface ISO 1302 <input checked="" type="checkbox"/>		tolerance ISO 406 ISO 1101		projection 		product family BERGSTIK	
ltr	ecn no	dr	date	tolerances unless otherwise specified		angles		mm		title UNSHR.HEADER RA DR TMT	
AP	F-285593	DDE	26.04.08			linear					
AJ	F-27765	DDE	17.08.21					scale 5:1			
AK	F-29937	DDE	18.04.20	dr	D.LEGRAND	01.01.24				dwg no sheet 2 of 2 size	
AL	F-47094	DDE	23.01.23	enfr	J.COMPAGNON	01.01.24				77317 A3	
AM	F-50791	LMU	24.02.21	chr	J.COMPAGNON	01.01.24					
AN	F-54509	DDE	25.02.06	appd	JF.NOTTEAU	01.01.24				type CUSTOMER Drawing	
sheet	revision										
index	sheet										