

5569262-1 ✓ ACTIVE

## AMP-METRIMATE

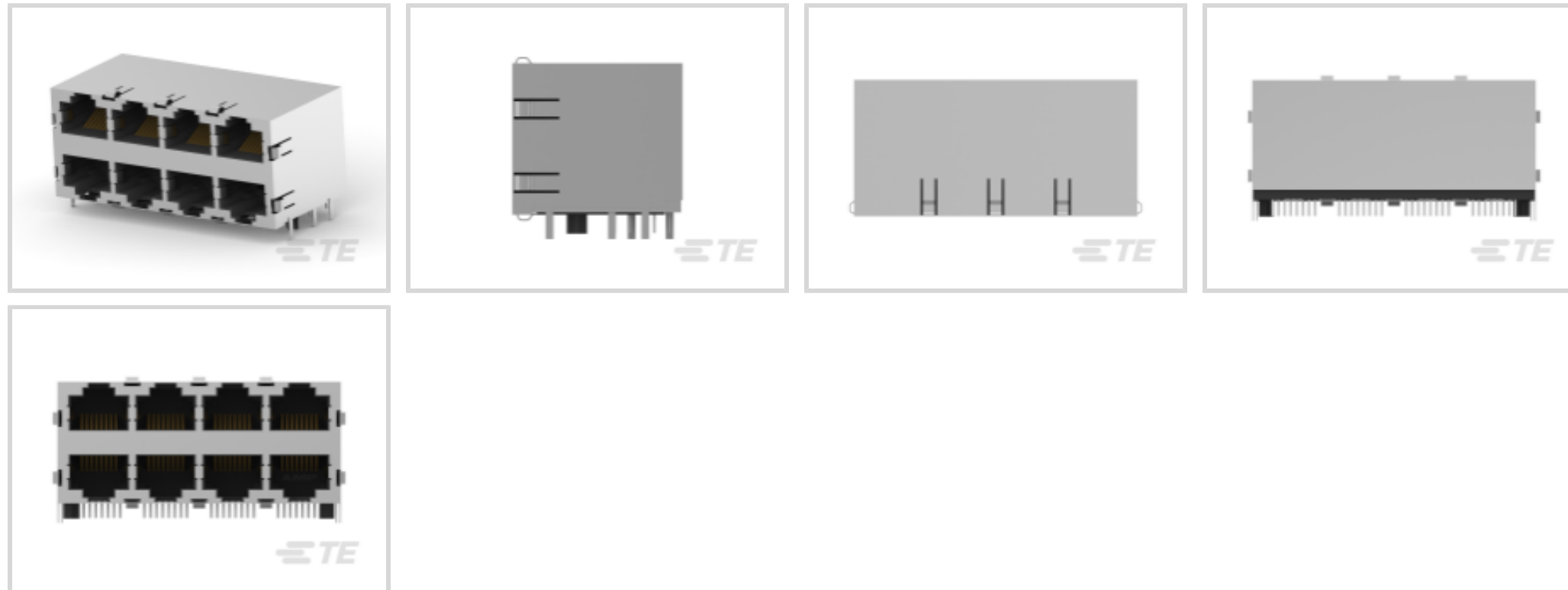
TE Internal #: 5569262-1

RJ45 Connector, Multiple Ports, 2 x 4, Standard Connector Contact Density, Jack, Shielded, Cat 5, Standard - Latch Down, 8 Position, AMP-METRIMATE

[View on TE.com >](#)



Connectors > Modular Jacks & Plugs > RJ45 Connectors



Modular Jack & Plug Interface Type: **RJ45**

Port Configuration: **Multiple Ports**

Port Matrix Configuration: **2 x 4**

Modular Jacks & Plugs Products: **RJ Type Jacks & Plugs**

Connector Contact Density: **Standard**

### Features

#### Product Type Features

Modular Jack & Plug Interface Type	RJ45
Modular Jacks & Plugs Products	RJ Type Jacks & Plugs
Modular Connector Style	Jack
Grounding Options	PCB and Panel Ground
Connector & Contact Terminates To	Printed Circuit Board
Connector Product Type	Connector Assembly

#### Configuration Features

Port Configuration	Multiple Ports
Port Matrix Configuration	2 x 4
Connector Contact Density	Standard
Number of Positions	8
Number of Loaded Positions	8
PCB Mount Orientation	Right Angle
Number of PCB Ground Tabs	6



Multiple Port Configuration	Stacked
-----------------------------	---------

### Operation/Application

Shielded	Yes
Circuit Application	Signal
Indicator Type	No Indicator

### Industry Standards

Performance Category	Cat 5
UL Flammability Rating	UL 94V-0

### Body Features

Modular Jack Latch Orientation	Standard - Latch Down
Connector Profile	Low
Grounding Tab Plating Material	Tin over Copper
Shield Plating Material	Tin over Nickel
Shield Material	Copper Alloy

### Termination Features

Termination Method to PCB	Through Hole - Solder
Termination Post & Tail Length	3.56 mm[.14 in]

### Housing Features

Mating Entry Location	Side
Centerline (Pitch)	1.02 mm[.04 in]
Housing Color	Black
Housing Material	PCT Polyester

### Contact Features

Contact Current Rating (Max)	1.5 A, .2 A
Contact Mating Area Plating Material	Gold
Contact Base Material	Phosphor Bronze
Contact Mating Area Plating Material Thickness	1.27 $\mu$ m[50 $\mu$ in]
Contact Underplating Material	Nickel
PCB Contact Termination Area Plating Material	Tin

### Mechanical Attachment

Connector Mounting Type	Panel Mount, Board Mount
Panel Mount Feature	Without



### Dimensions

Connector Height	25.27 mm[.995 in]
PCB Thickness (Recommended)	1.57 mm[.062 in]

### Packaging Features

Packaging Method	Tray
Packaging Quantity	10

### Usage Conditions

Operating Temperature Range	-40 – 85 °C[-40 – 185 °F]
-----------------------------	---------------------------

### Other

EU RoHS Compliance	Compliant
EU ELV Compliance	Compliant

### Product Compliance

[For compliance documentation, visit the product page on TE.com>](#)

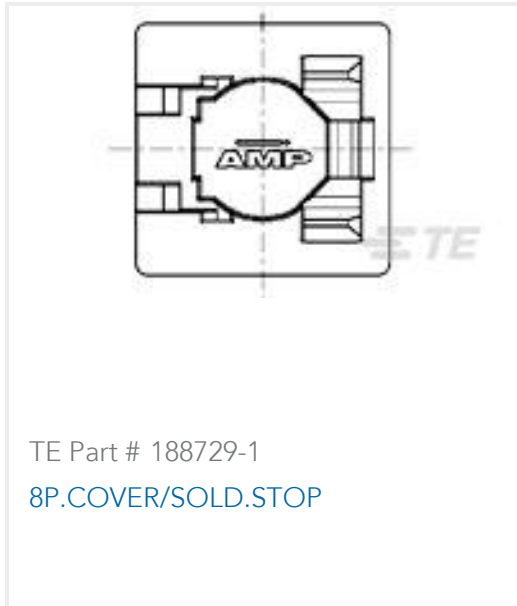
EU RoHS Directive 2011/65/EU	Compliant
EU ELV Directive 2000/53/EC	Compliant
China RoHS 2 Directive MIIT Order No 32, 2016	No Restricted Materials Above Threshold
EU REACH Regulation (EC) No. 1907/2006	Current ECHA Candidate List: JUNE 2024 (241) Candidate List Declared Against: JUNE 2024 (241) Does not contain REACH SVHC
Halogen Content	Not Low Halogen - contains Br or Cl > 900 ppm.
Solder Process Capability	Wave solder capable to 265°C

#### Product Compliance Disclaimer

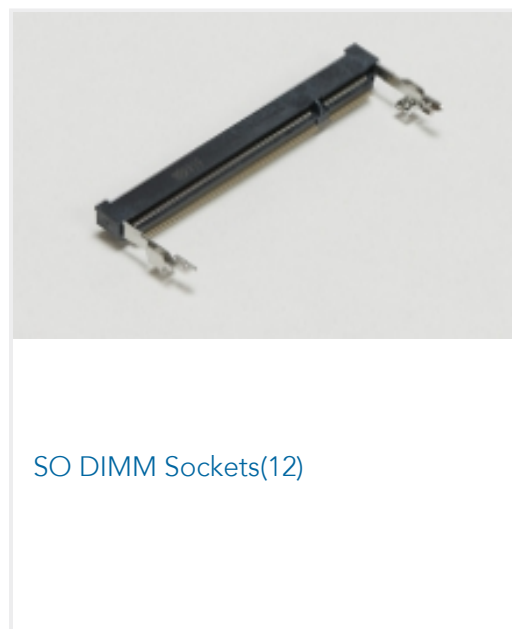
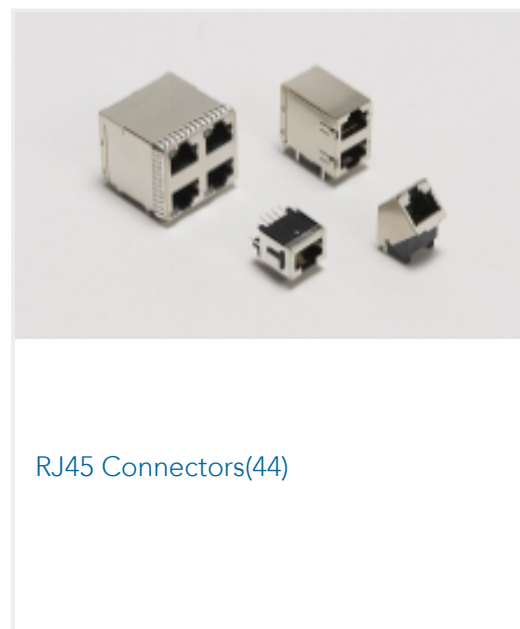
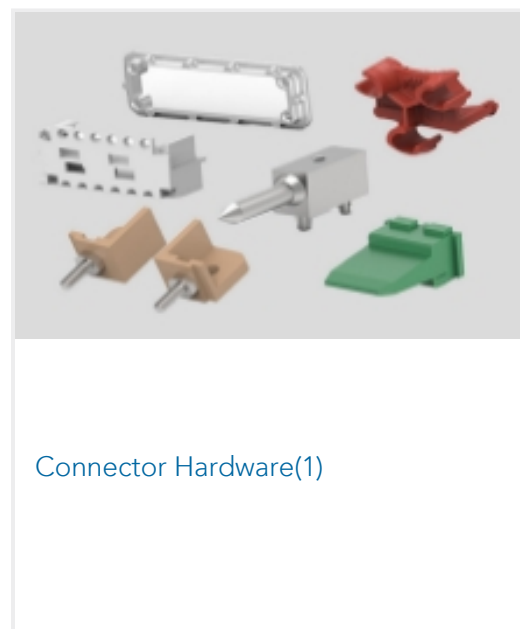
This information is provided based on reasonable inquiry of our suppliers and represents our current actual knowledge based on the information they provided. This information is subject to change. The part numbers that TE has identified as EU RoHS compliant have a maximum concentration of 0.1% by weight in homogenous materials for lead, hexavalent chromium, mercury, PBB, PBDE, DBP, BBP, DEHP, DIBP, and 0.01% for cadmium, or qualify for an exemption to these limits as defined in the Annexes of Directive 2011/65/EU (RoHS2). Finished electrical and electronic equipment products will be CE marked as required by Directive 2011/65/EU. Components may not be CE marked. Additionally, the part numbers that TE has identified as EU ELV compliant have a maximum concentration of 0.1% by weight in homogenous materials for lead, hexavalent chromium, and mercury, and 0.01% for cadmium, or qualify for an exemption to these limits as defined in the Annexes of Directive 2000/53/EC (ELV). Regarding the REACH Regulation, the information TE provides on SVHC in articles for this part number is based on the latest European Chemicals Agency (ECHA) 'Guidance on requirements for substances in articles' posted at this URL: <https://echa.europa.eu/guidance-documents/guidance-on-reach>



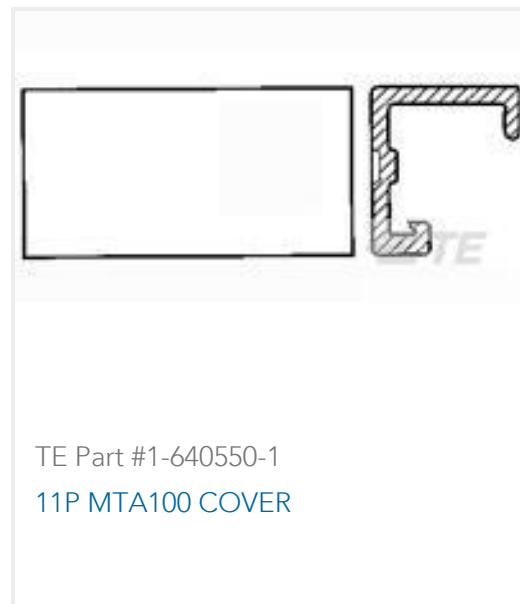
## Compatible Parts

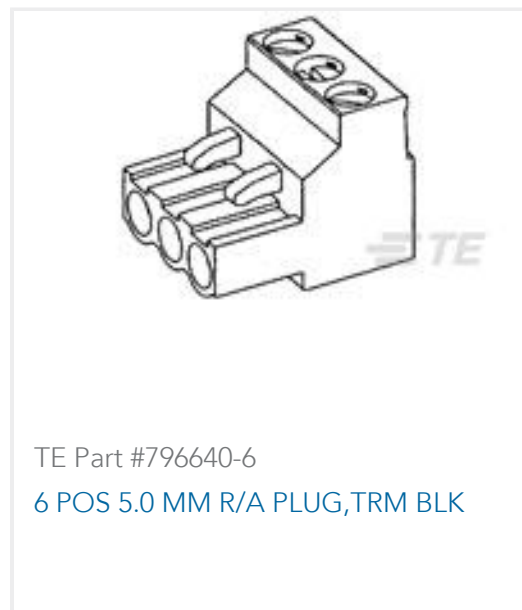


## Also in the Series | AMP-METRIMATE



## Customers Also Bought

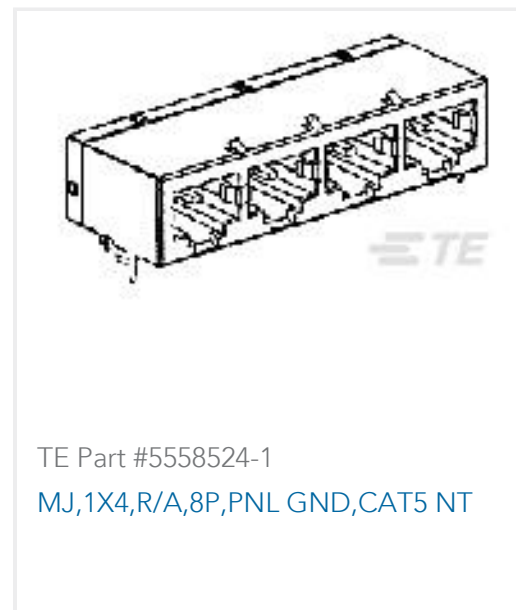




TE Part #796640-6  
6 POS 5.0 MM R/A PLUG, TRM BLK



TE Part #1473006-1  
SEMI HARD TRAY DDR SOCKET 200P



TE Part #5558524-1  
MJ, 1X4, R/A, 8P, PNL GND, CAT5 NT



TE Part #2-1437658-1  
8PCV-08-006=#8 TRIBARRIER



TE Part #6-1393765-8  
R10-E1P2-V185=R10



TE Part #US381-000005-030PG  
PRESS XDCR US381-000005-030PG

## Documents

### Product Drawings

[STK MJ ASSY, 8POS, 2X4, SHLD, CAT5](#)

English

### CAD Files

[3D PDF](#)

3D

Customer View Model

[ENG\\_CVM\\_CVM\\_5569262-1\\_A.2d\\_dxf.zip](#)

English

Customer View Model

[ENG\\_CVM\\_CVM\\_5569262-1\\_A.3d\\_igs.zip](#)

English

Customer View Model

[ENG\\_CVM\\_CVM\\_5569262-1\\_A.3d\\_stp.zip](#)

English

By downloading the CAD file I accept and agree to the [Terms and Conditions](#) of use.

### Datasheets & Catalog Pages

[82066 Modular Jacks and MRJ21 Product catalog - Stacked Modular Jacks section](#)

English

### Product Specifications

[Application Specification](#)

English