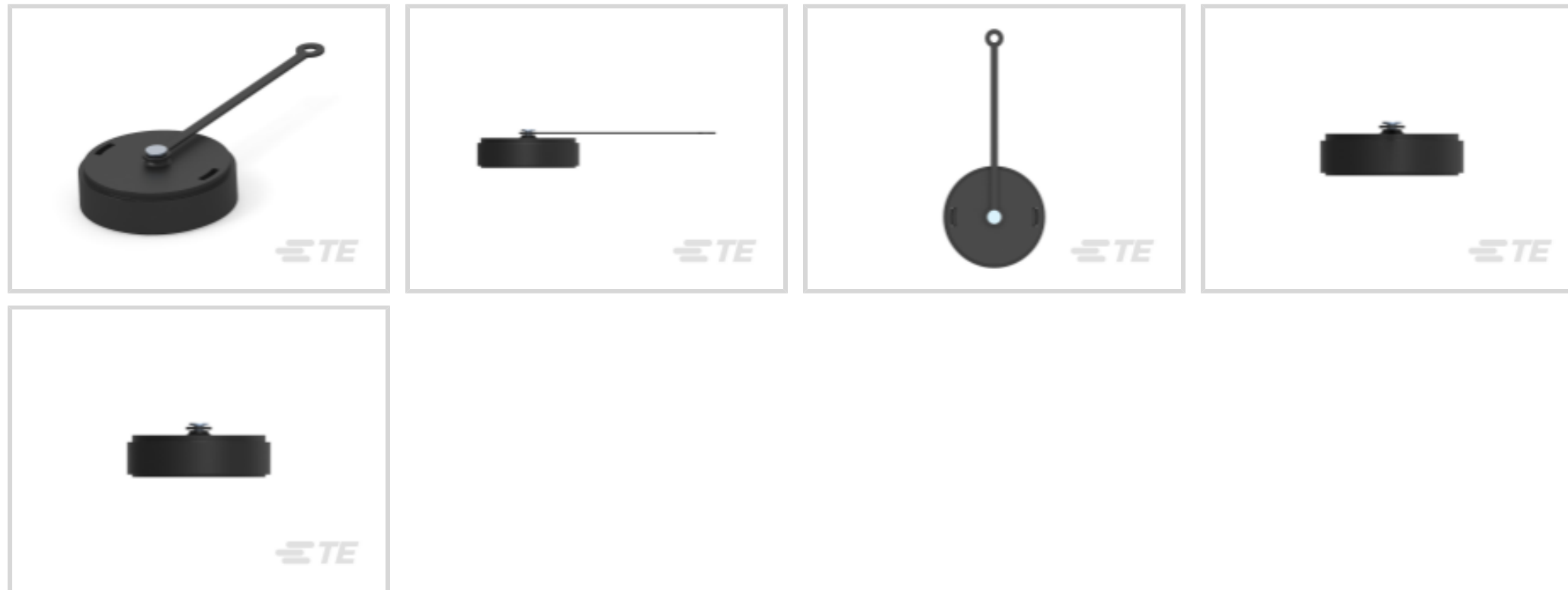




Connectors > Connector Accessories > Connector Caps & Covers



Connector Cover Type: **Sealing Cap**

Primary Product Color: **Black**

Primary Product Material: **Thermoplastic**

Operating Temperature (Max): **105 °C [221 °F]**

Operating Temperature Range: **-55 – 105 °C [-67 – 221 °F]**

Features

Product Type Features

Connector Cover Type	Sealing Cap
----------------------	-------------

Body Features

Primary Product Color	Black
Primary Product Material	Thermoplastic

Usage Conditions

Operating Temperature (Max)	105 °C[221 °F]
Operating Temperature Range	-55 – 105 °C[-67 – 221 °F]

Other

EU RoHS Compliance	Compliant
EU ELV Compliance	Compliant

Mechanical Attachment

Component Retention Feature	Plastic Strap
-----------------------------	---------------

Housing Features

Compatible With Connector Shape	Circular
---------------------------------	----------

Operation/Application

Compatible With Connector Shell Size	23
--------------------------------------	----

Packaging Features

Packaging Method	Bag
Packaging Quantity	100

Product Compliance

[For compliance documentation, visit the product page on TE.com>](#)

EU RoHS Directive 2011/65/EU	Compliant
EU ELV Directive 2000/53/EC	Compliant
China RoHS 2 Directive MIIT Order No 32, 2016	No Restricted Materials Above Threshold
EU REACH Regulation (EC) No. 1907/2006	Current ECHA Candidate List: JUNE 2024 (241) Candidate List Declared Against: JUNE 2024 (241) Does not contain REACH SVHC
Halogen Content	Low Halogen - Br, Cl, F, I < 900 ppm per homogenous material. Also BFR/CFR/PVC Free
Solder Process Capability	Not applicable for solder process capability

Product Compliance Disclaimer

This information is provided based on reasonable inquiry of our suppliers and represents our current actual knowledge based on the information they provided. This information is subject to change. The part numbers that TE has identified as EU RoHS compliant have a maximum concentration of 0.1% by weight in homogenous materials for lead, hexavalent chromium, mercury, PBB, PBDE, DBP, BBP, DEHP, DIBP, and 0.01% for cadmium, or qualify for an exemption to these limits as defined in the Annexes of Directive 2011/65/EU (RoHS2). Finished electrical and electronic equipment products will be CE marked as required by Directive 2011/65/EU. Components may not be CE marked. Additionally, the part numbers that TE has identified as EU ELV compliant have a maximum concentration of 0.1% by weight in homogenous materials for lead, hexavalent chromium, and mercury, and 0.01% for cadmium, or qualify for an exemption to these limits as defined in the Annexes of Directive 2000/53/EC (ELV). Regarding the REACH Regulation, the information TE provides on SVHC in articles for this part number is based on the latest European Chemicals Agency (ECHA) 'Guidance on requirements for substances in articles' posted at this URL: <https://echa.europa.eu/guidance-documents/guidance-on-reach>

Compatible Parts



TE Part # 796291-1
SEALED CPC, SER1, 23-24, FR RCPT



TE Part # 796190-1
SLD CPC RCPT ASSY, 23-24, STD SX



TE Part # 206226-1
CPC PLUG ASSEMBLY SIZE 23-7



TE Part # 211772-1
CPC PLUG ASSEMBLY SIZE 23-19



TE Part # 213853-1
CPC PLUG ASSEMBLY SIZE 23-19



TE Part # 206136-1
CPC PLUG ASSEMBLY SIZE 23-7



TE Part # 206305-1
CPC PLUG ASSEMBLY SIZE 23-37



TE Part # 796188-1
SLD CPC PLUG ASSY, 23-24, STD SX



TE Part # 206150-1
CPC PLUG ASSEMBLY SIZE 23-37



TE Part # 213850-1
CPC PLUG ASSEMBLY SIZE 23-37



TE Part # 206837-1
CPC PLUG ASSEMBLY SIZE 23-24



TE Part # 796287-1
RCPT ASSY, 23-37 STD SEX FREE HG



TE Part # 207485-1
CPC PLUG ASSEMBLY SIZE 23-16



TE Part # 796288-1
PLUG ASSY, 23-37 STD SEX THRD AD



TE Part # 211824-1
CPC PLUG ASSEMBLY 23-13



TE Part # 213848-1
CPC PLUG ASSEMBLY SIZE 23-37



TE Part # 213851-1
CPC PLUG ASSEMBLY SIZE 23-24



TE Part # 213852-1
CPC PLUG ASSEMBLY SIZE 23-19

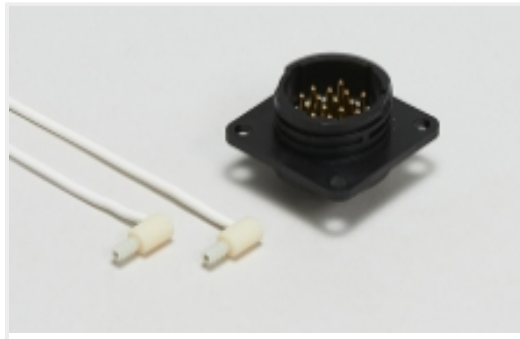


TE Part # 1977887-1
PLUG ASSY, 23-37 STD SEX THRD AD,
UV RESIS



TE Part # 211770-2
CPC PLUG ASSEMBLY SIZE 23-19

Also in the Series | [AMP CPC](#)



Circular Power Connectors(423)



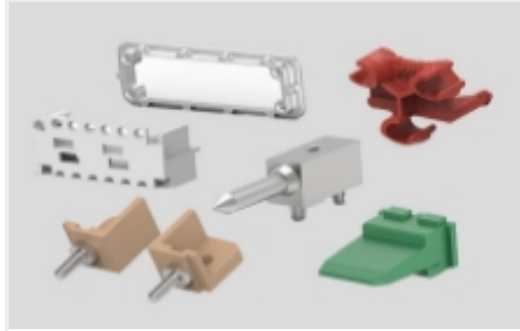
Connector Backshells(1)



Connector Caps & Covers(16)



Connector Contacts(6)



Connector Hardware(12)



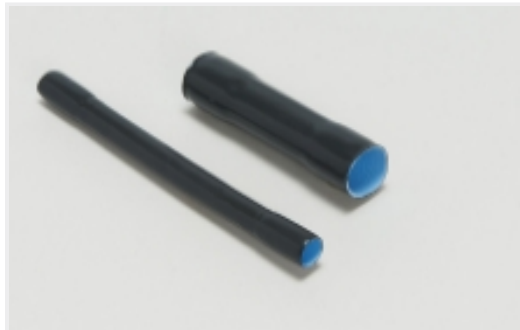
Connector Seals & Cavity Plugs(35)



Connector Strain Relief(60)



Insertion & Extraction Tools(1)



Sealing Sleeves(2)

Customers Also Bought



TE Part #1-1618002-5
EV200H1ANA=RELAY, SPST-NO WITH



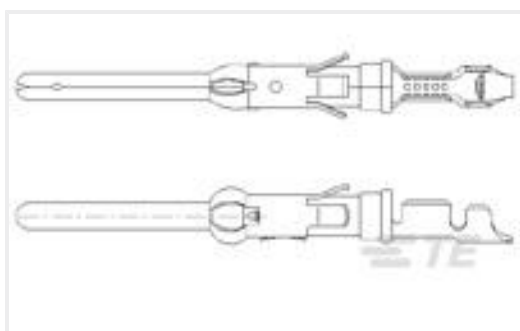
TE Part #207055-1
EXTENDER BACK SHELL



TE Part #1-66099-4
III+ PIN,18-16,30AU/FL,SMPACK



TE Part #695992-000
B-058-01



TE Part #1-163081-1
.062 DIA PIN ASSY 3+



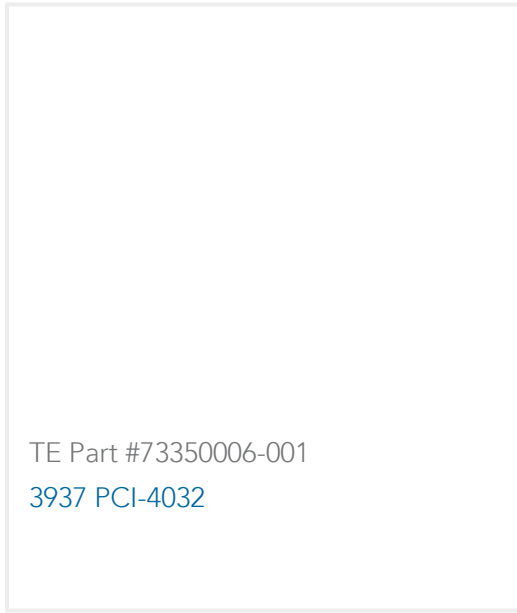
TE Part #1546306-8
8P .374" DR BARRIER STRIP



TE Part #3-1393117-0
KUP-11A55-24=KU



TE Part #8-320855-1
TERMINAL,SOLIS SPD FLG 16-14 6



Documents

Product Drawings

[SEALING CAP ASSY,SZ 23,CPC](#)

English

CAD Files

Customer View Model

[ENG_CVM_CVM_207446-3_P.2d_dxf.zip](#)

English

[3D PDF](#)

3D

Customer View Model

[ENG_CVM_CVM_207446-3_P.3d_igs.zip](#)

English

Customer View Model

[ENG_CVM_CVM_207446-3_P.3d_stp.zip](#)

English

By downloading the CAD file I accept and agree to the [Terms and Conditions](#) of use.

Agency Approvals

[CSA Certificate](#)

English

[CSA Certificate](#)

English