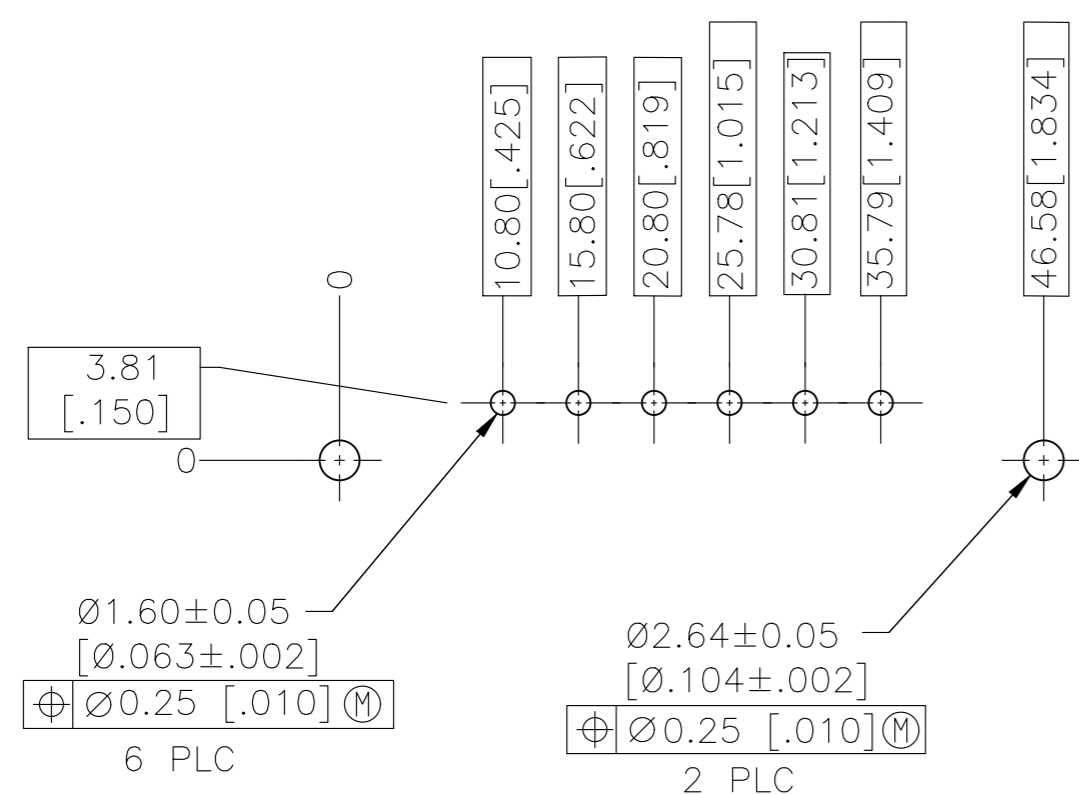
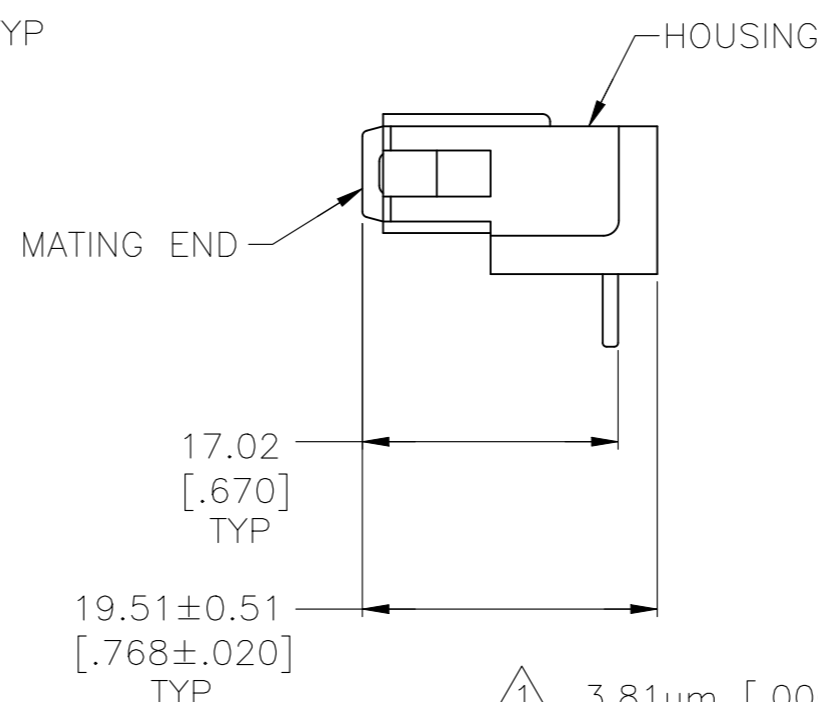
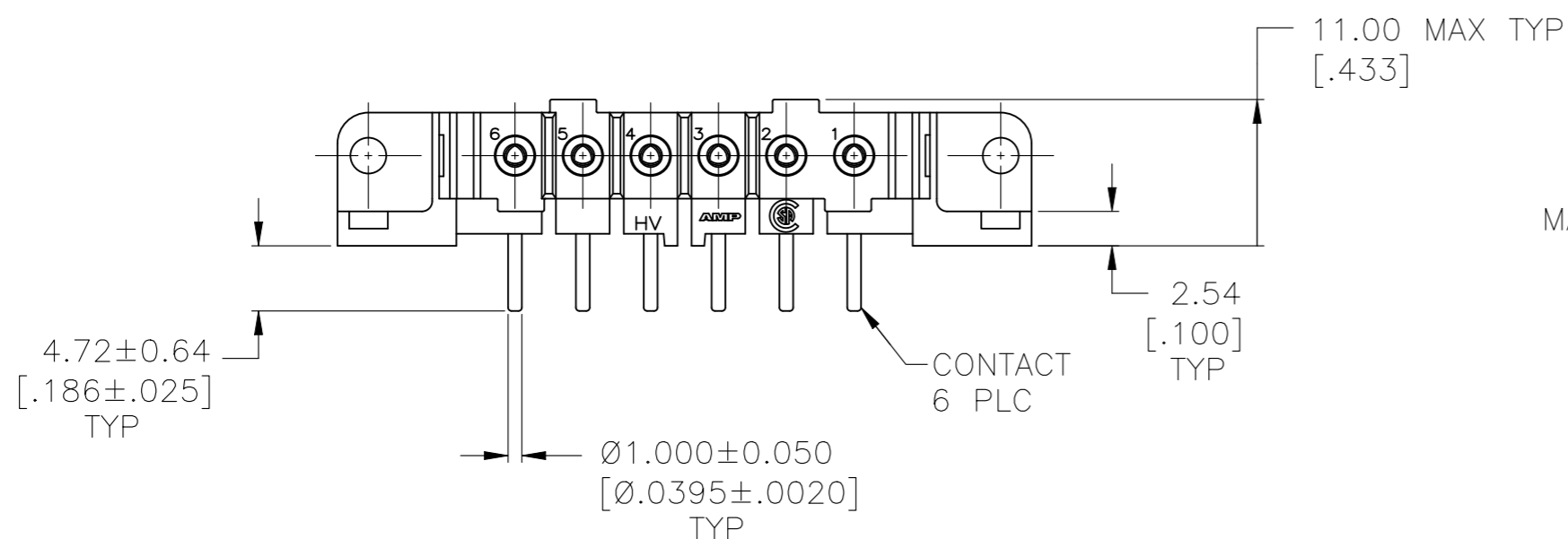
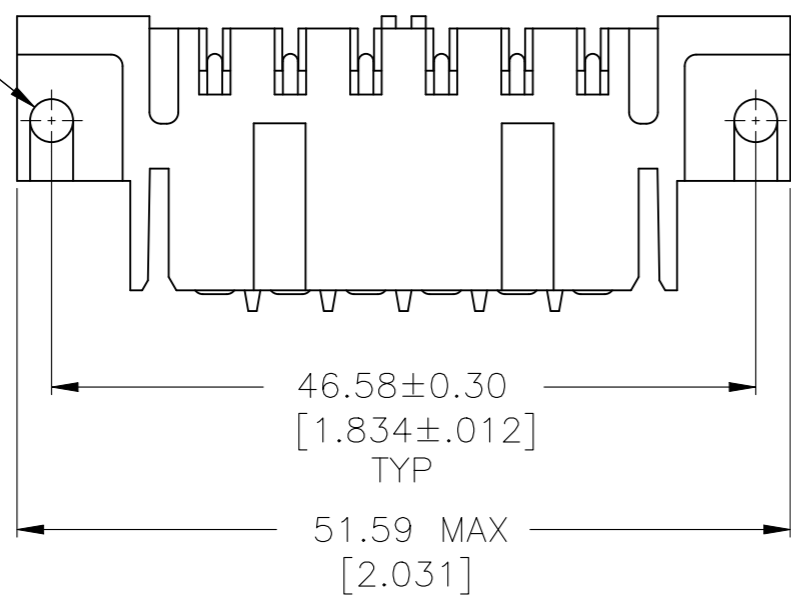


REVISIONS					
P	LTR	DESCRIPTION	DATE	DWN	APVD
N		REVISED PER ECR-24-213594	02JUL2024	RK	FJS

Ø2.64
[Ø.104]
4 HOLES



RECOMMENDED PC BOARD LAYOUT

- ① 3.81um [.000150] MIN TIN-LEAD OVER 0.76um [.000030] MIN NICKEL.
- ② 0.76um [.000030] MIN GOLD FOR A LENGTH OF 5.08 [.200] MIN FROM MATING END, 3.81um [.000150] MIN TIN-LEAD FOR A LENGTH OF 5.23 [.206] MIN FROM OPPOSITE END, BOTH OVER 1.27um [.000050] MIN NICKEL.
- ③ 3.81um [.000150] MIN TIN OVER 0.76um [.000030] MIN NICKEL.
- ④ 0.76um [.000030] MIN PRECIOUS METAL PLATE FOR A LENGTH OF 5.08 [.200] MIN FROM MATING END, 3.81um [.000150] MIN TIN FOR A LENGTH OF 5.23 [.206] MIN FROM OPPOSITE END, BOTH OVER 1.27um [.000050] MIN NICKEL.
- ⑤ HOUSING MATERIAL: PA66, BLACK, UL 94 V-0 RATED.
- ⑥ CONTACT HOOD: STAINLESS STEEL
CONTACT BODY: PHOSPHOR BRONZE

	④	207610-7
	③	207610-6
OBSOLETE	②	207610-3
OBSOLETE	①	-207610-1
	CONTACT FINISH	PART NUMBER

THIS DRAWING IS A CONTROLLED DOCUMENT.		DWN L.SIPE 08/06/92	TE Connectivity	
DIMENSIONS: mm [INCHES]		CHK J.McCLINTON 8-11-92	SOCKET HEADER ASSEMBLY, 6 POSN, IN-LINE, METRIMATE	
TOLERANCES UNLESS OTHERWISE SPECIFIED:		APVD A.TRAVIS 8-11-92	NAME	
0 PLC ± -		PRODUCT SPEC 108-10033	SIZE	
1 PLC ± -		APPLICATION SPEC	CAGE CODE	
2 PLC ± 0.25 [.010]			DRAWING NO	
3 PLC ± -			RESTRICTED TO	
4 PLC ± -			SCALE	
ANGLES ± -			SHEET	
MATERIAL	FINISH	WEIGHT	REV	
⑤⑥	CONTACTS: SEE TBL	-	N	
CUSTOMER DRAWING			SCALE 2:1 SHEET 1 OF 1	