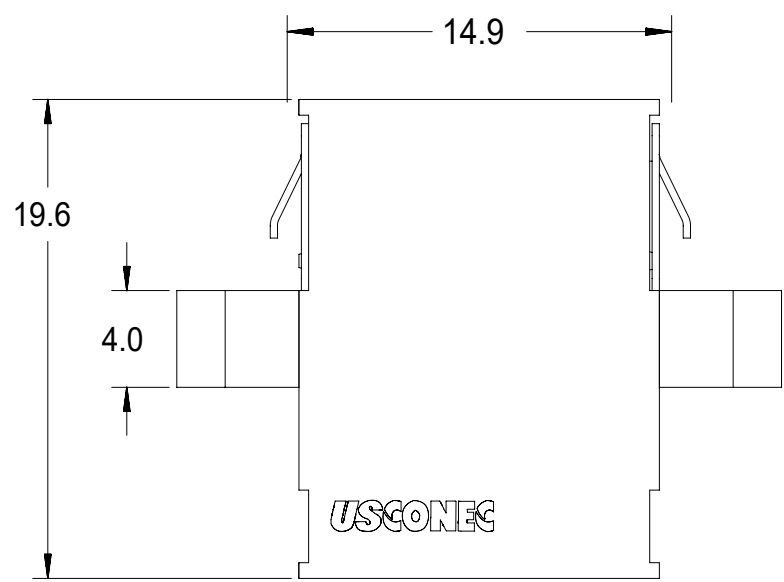
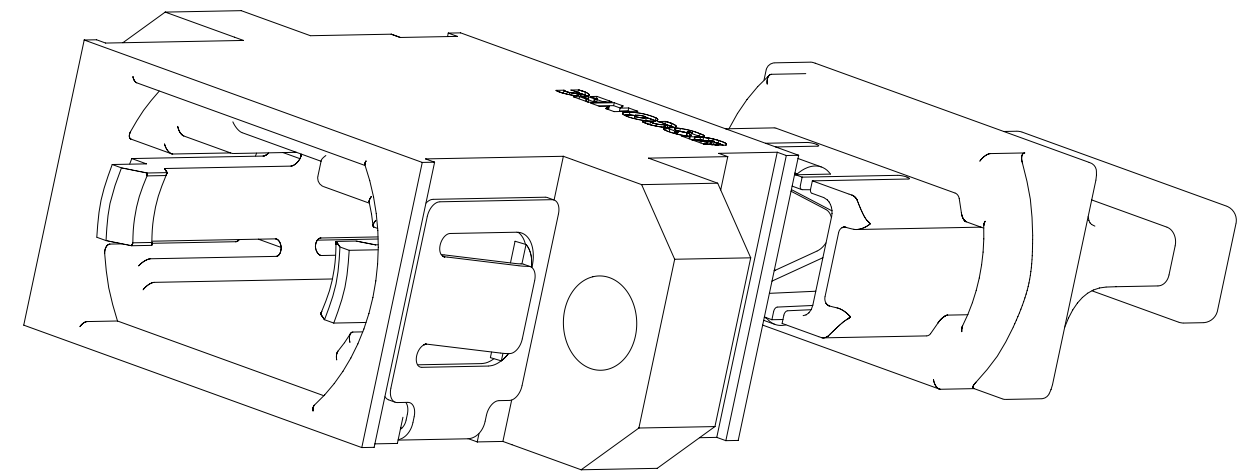
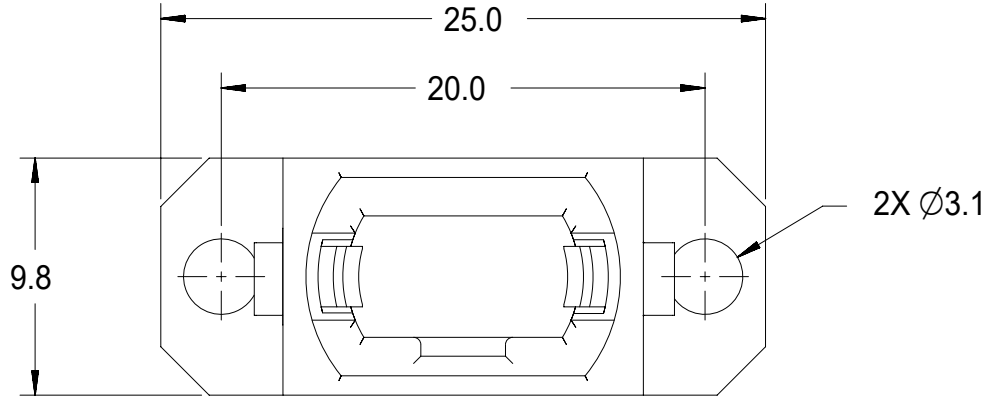
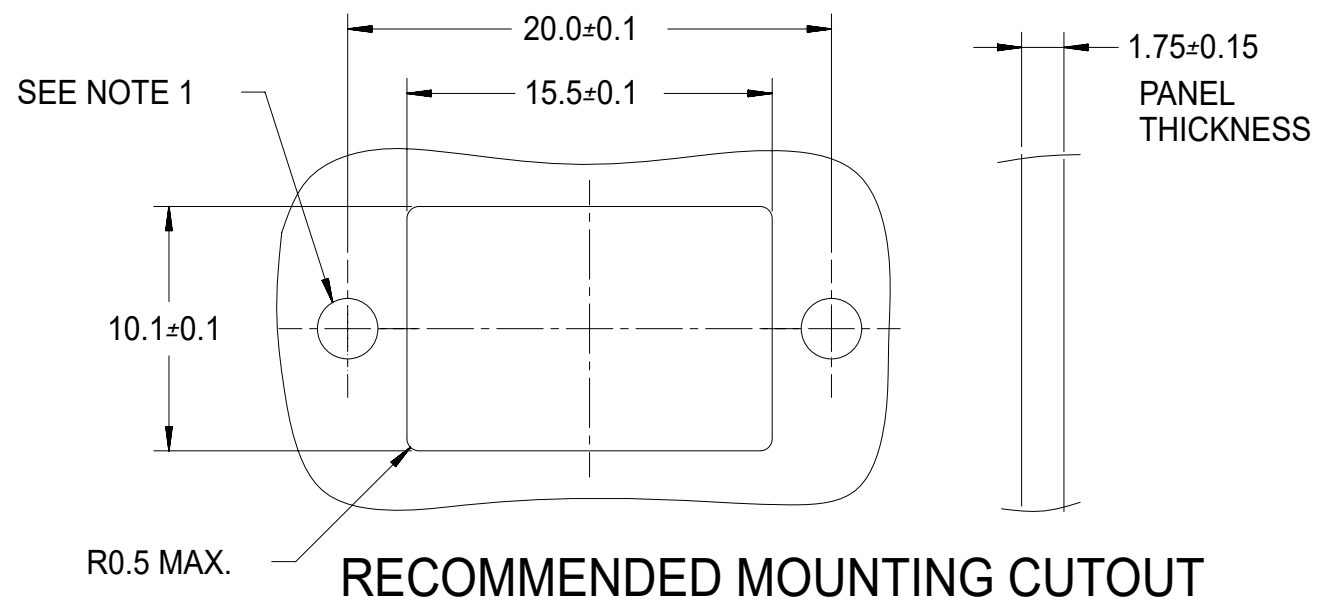


ADAPTER P/N	ADAPTER COLOR	KEY ORIENTATION	AMOUNT OF DUST PLUGS
1061810000	BLACK	OPPOSED (STD)	2
1061810100	GRAY	ALIGNED	



TWO DUST CAPS ARE PROVIDED



- NOTES:
- RECOMMEND USE OF M2.5 OR 4-40 SCREW AND NUT (NOT PROVIDED).  
RECOMMEND 2in-lbf TORQUE FOR SCREW MOUNT APPLICATIONS.
  - "OPPOSED" KEY ORIENTATION IS THE STANDARD FOR MTP.
  - MATERIALS:  
ADAPTER BODY - POLYETHERIMIDE  
FLAMMABILITY - UL94 V-0  
SPRING CLIP - STAINLESS STEEL  
DUST PLUG - POLYCARBONATE:  
SURFACE RESISTIVITY - <1E12 ohm/sq  
TML - <1%  
FLAMMABILITY - UL94 V-0
  - DIMENSIONS ARE REFERENCE ONLY.

THIS DRAWING CONTAINS INFORMATION THAT IS PROPRIETARY TO MOLEX ELECTRONIC TECHNOLOGIES, LLC AND SHOULD NOT BE USED WITHOUT WRITTEN PERMISSION									
DIMENSION UNITS	SCALE	CURRENT REV DESC: REMOVE WHITE MARKING(MOLEX PCN516434 ;USCONN:446)							
mm	3:1								
GENERAL TOLERANCES (UNLESS SPECIFIED)		EC NO: 809773			MTP ADAPTER FULL FLANGE				
ANGULAR TOL ± 0.5°		DRWN: JHUANG18 2025/03/27							
4 PLACES ±	CHKD: GGENCHANOK 2025/08/15			PRODUCT CUSTOMER DRAWING					
3 PLACES ±	APPR: GGENCHANOK 2025/08/15								
2 PLACES ±	INITIAL REVISION:			DOCUMENT NUMBER					
1 PLACE ±	DRWN: DBALTRUKONIS 2006/07/07								
0 PLACES ±	APPR: IGUMIN 2006/07/07			SD-106181-0000		PSD	001	D	REVISION
DRAFT WHERE APPLICABLE MUST REMAIN WITHIN DIMENSIONS	THIRD ANGLE PROJECTION	DRAWING	SERIES	MATERIAL NUMBER	CUSTOMER		SHEET NUMBER		
		B-SIZE	106181	SEE TABLE	GENERAL MARKET		1 OF 1		