

282729-1 ✓ ACTIVE

AMP | Timer Connector System, Junior Power Timer

TE Internal #: 282729-1

Housing for Female Terminals, Wire-to-Board / Wire-to-Device, 3 Position, 5 mm [.196 in] Centerline, Sealable, Black, Wire & Cable, Power, Hybrid

[View on TE.com >](#)



Connectors > Automotive Connectors > Automotive Housings > Timer Connector Housing



Connector System: **Wire-to-Board, Wire-to-Device**

Number of Positions: **3**

Connector & Housing Type: **Housing for Female Terminals**

Centerline (Pitch): **5 mm [.196 in]**

Sealable: **Yes**

[All Timer Connector Housing \(497\)](#)

## Features

### Product Type Features

Connector System	Wire-to-Board, Wire-to-Device
Connector & Housing Type	Housing for Female Terminals
Sealable	Yes
Connector & Contact Terminates To	Wire & Cable
Primary Locking Feature	On the Terminal
Mixed & Hybrid Connector	No
Connector Shape	Rectangular

### Configuration Features

Number of Positions	3
Number of Rows	1

### Housing Features

Centerline (Pitch)	5 mm [.196 in]
Housing Material	PA GF

### Contact Features

Mating Tab Width	2.8 mm [.11 in]
Contact Current Rating (Max)	20 A
Contact Size	2.8mm



Contact Type	Receptacle
--------------	------------

### Body Features

Primary Product Color	Black
-----------------------	-------

Connector & Keying Code	Neutral
-------------------------	---------

Cable Exit Angle	180°
------------------	------

### Operation/Application

Circuit Application	Power
---------------------	-------

### Mechanical Attachment

Connector Mounting Type	Cable Mount (Free-Hanging)
-------------------------	----------------------------

Strain Relief	Without
---------------	---------

Terminal Position Assurance	No
-----------------------------	----

Mating Alignment Type	Polarizing Slot
-----------------------	-----------------

Mating Alignment	With
------------------	------

### Usage Conditions

Operating Temperature (Max)	125 °C, 80 °C, 105 °C, 100 °C, 90 °C, 85 °C, 75 °C, 70 °C, 110 °C, 120 °C[248 °F][221 °F][158 °F][167 °F][230 °F][176 °F][194 °F][185 °F][212 °F][257 °F]
-----------------------------	---

Operating Temperature Range	-30 – 125 °C[-22 – 257 °F]
-----------------------------	----------------------------

### Electrical Characteristics

Nominal Voltage Architecture	24 V
------------------------------	------

Operating Voltage	24 VDC
-------------------	--------

### Other

Connector Position Assurance Capable	No
--------------------------------------	----

EU RoHS Compliance	Compliant
--------------------	-----------

EU ELV Compliance	Compliant
-------------------	-----------

Serviceable	Yes
-------------	-----

### Dimensions

Product Width	24.5 mm[.965 in]
---------------	------------------

Product Length	30.4 mm[1.196 in]
----------------	-------------------

Connector Height	38.2 mm[1.504 in]
------------------	-------------------

### Industry Standards



IP Rating	IP54K
Compatible With Agency/Standards Products	IEC 529 IP 54

### Packaging Features

Packaging Quantity	900
Packaging Method	Bag & Box

### Product Compliance

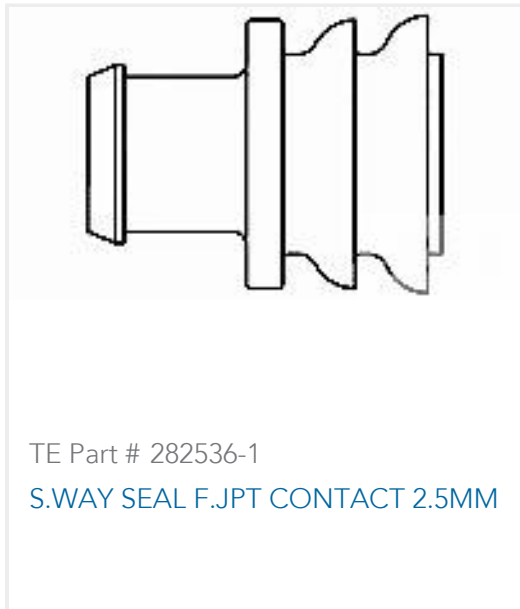
[For compliance documentation, visit the product page on TE.com>](#)

EU RoHS Directive 2011/65/EU	Compliant
EU ELV Directive 2000/53/EC	Compliant
China RoHS 2 Directive MIIT Order No 32, 2016	No Restricted Materials Above Threshold
EU REACH Regulation (EC) No. 1907/2006	Current ECHA Candidate List: JUNE 2024 (241) Candidate List Declared Against: JUNE 2024 (241) Does not contain REACH SVHC
Halogen Content	BFR/CFR/PVC Free, but Br/Cl >900 ppm in other sources.
Solder Process Capability	Not applicable for solder process capability

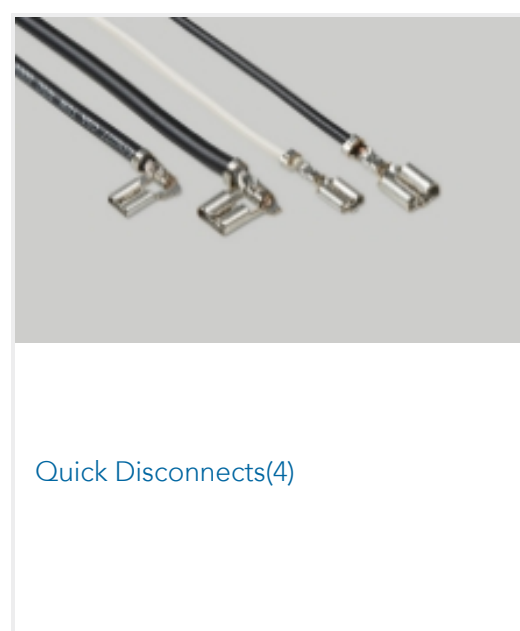
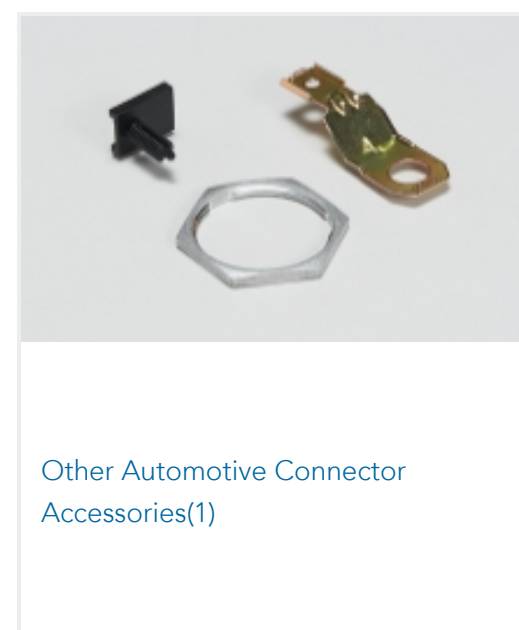
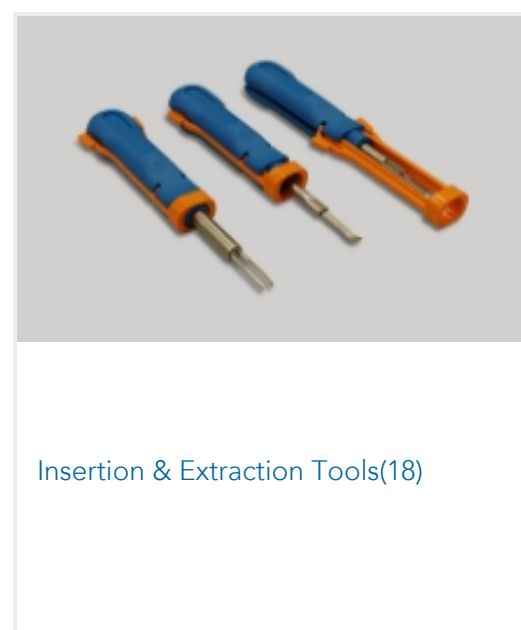
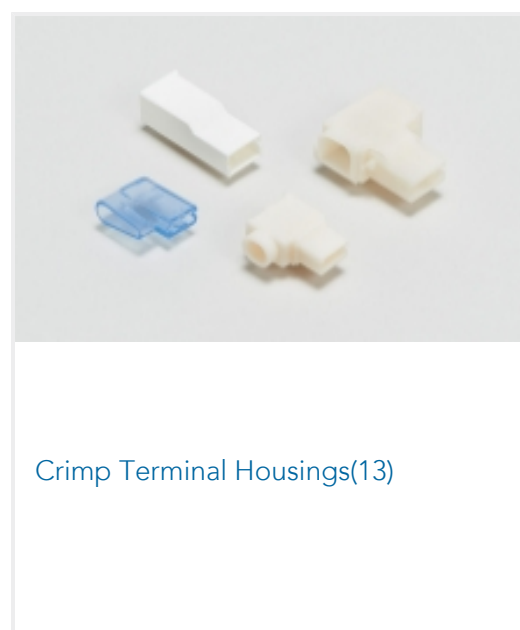
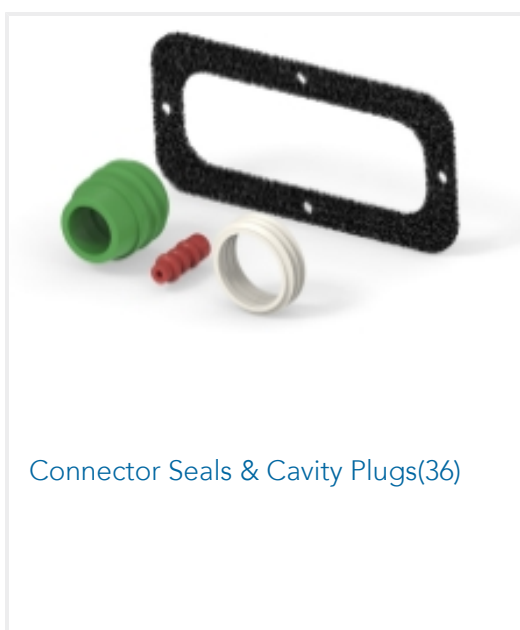
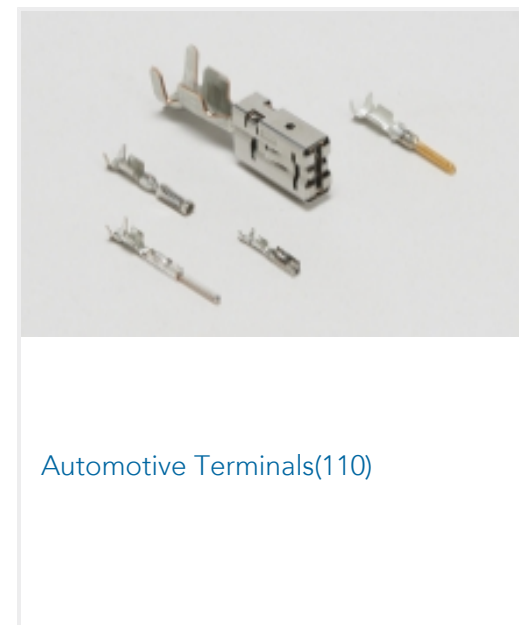
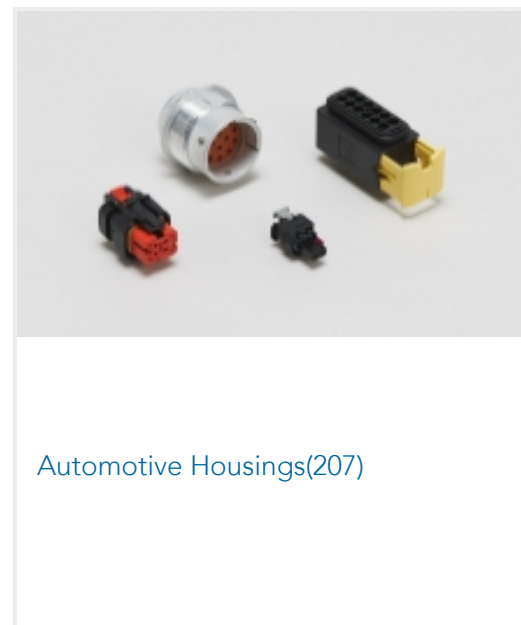
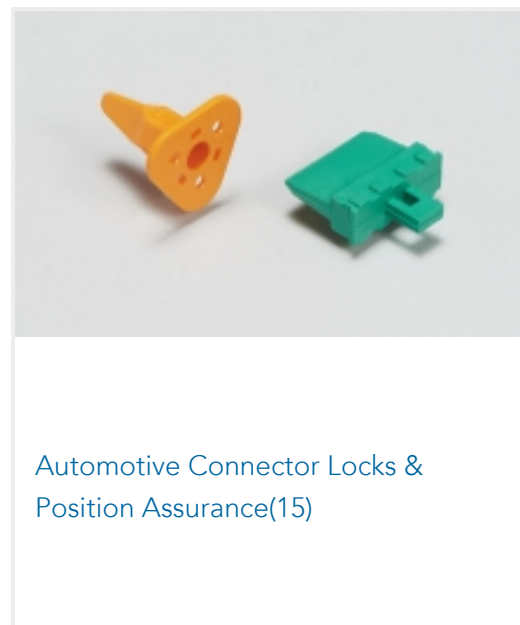
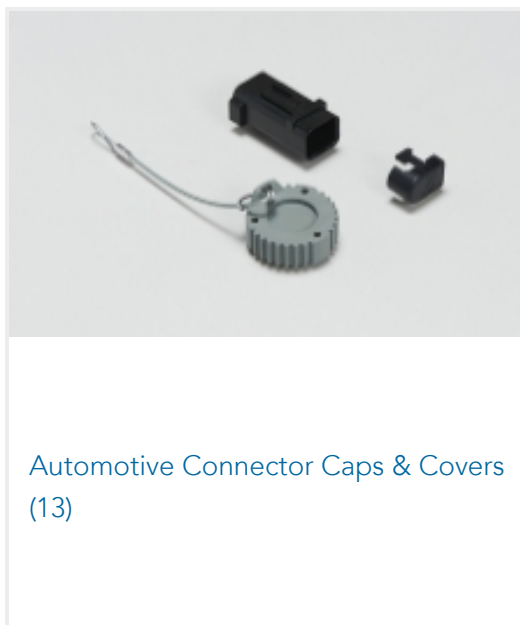
#### Product Compliance Disclaimer

This information is provided based on reasonable inquiry of our suppliers and represents our current actual knowledge based on the information they provided. This information is subject to change. The part numbers that TE has identified as EU RoHS compliant have a maximum concentration of 0.1% by weight in homogenous materials for lead, hexavalent chromium, mercury, PBB, PBDE, DBP, BBP, DEHP, DIBP, and 0.01% for cadmium, or qualify for an exemption to these limits as defined in the Annexes of Directive 2011/65/EU (RoHS2). Finished electrical and electronic equipment products will be CE marked as required by Directive 2011/65/EU. Components may not be CE marked. Additionally, the part numbers that TE has identified as EU ELV compliant have a maximum concentration of 0.1% by weight in homogenous materials for lead, hexavalent chromium, and mercury, and 0.01% for cadmium, or qualify for an exemption to these limits as defined in the Annexes of Directive 2000/53/EC (ELV). Regarding the REACH Regulation, the information TE provides on SVHC in articles for this part number is based on the latest European Chemicals Agency (ECHA) 'Guidance on requirements for substances in articles' posted at this URL: <https://echa.europa.eu/guidance-documents/guidance-on-reach>

### Compatible Parts



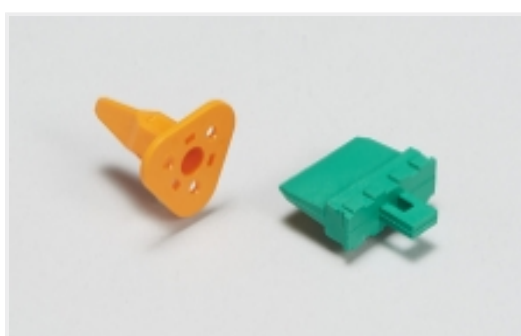
Also in the Series | **Timer Connector System**



Also in the Series | **Junior Power Timer**



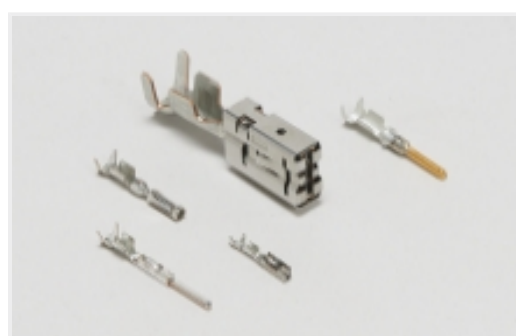
Automotive Connector Caps & Covers (9)



Automotive Connector Locks & Position Assurance(8)



Automotive Housings(306)



Automotive Terminals(153)



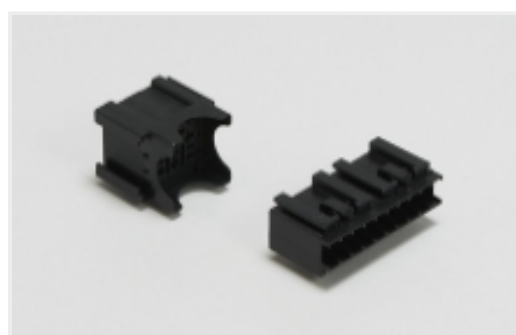
Busbars & Terminals(1)



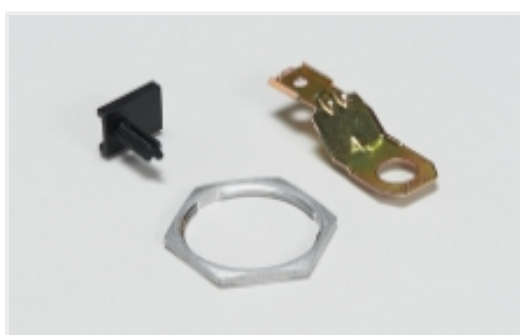
Connector Seals & Cavity Plugs(8)



Insertion & Extraction Tools(8)



Module Components(1)



Other Automotive Connector Accessories(2)



Special Purpose Terminals(2)

## Customers Also Bought



TE Part #282762-1  
Timer Connector Housing



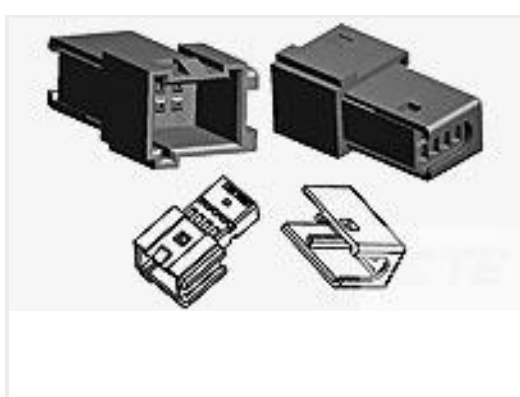
TE Part #DTM04-08PC  
REC, 8P, GRN, N, C



TE Part #DT06-2S-C015  
PLG, 2P, GRY, E



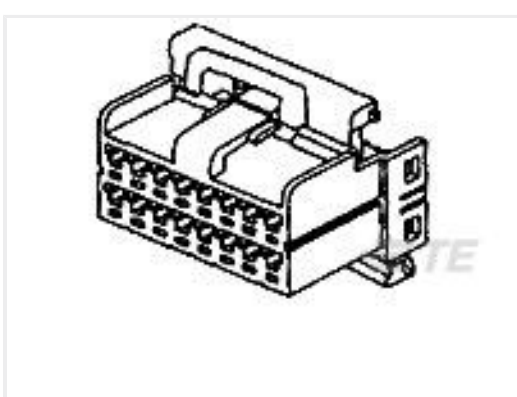
TE Part #2-320572-1  
PIDG R 22-16COMM 22-18MIL 5/16



TE Part #284869-2  
8POS MOS TAB



TE Part #2103154-3  
CABLE SEAL, SIZE 3, HVA280



TE Part #174147-2  
070 MULTILOCK PLUG 16P

## Documents



### Product Drawings

#### SPLASH PROOF CONN. ASS'Y

English

---

### CAD Files

#### 3D PDF

3D

#### Customer View Model

[ENG\\_CVM\\_CVM\\_282729-1\\_E\\_c-282729-1-e.2d\\_dxf.zip](#)

English

#### Customer View Model

[ENG\\_CVM\\_CVM\\_282729-1\\_E\\_c-282729-1-e.3d\\_igs.zip](#)

English

#### Customer View Model

[ENG\\_CVM\\_CVM\\_282729-1\\_E\\_c-282729-1-e.3d\\_stp.zip](#)

English

By downloading the CAD file I accept and agree to the [Terms and Conditions](#) of use.

---

### Product Specifications

#### Product Specification

English

---

### Instruction Sheets

#### 2-7 positions junior power timer splash proof connectors

English

#### Instruction Sheet (non U.S.)

English

#### 2-7 positions Junior Power Timer splash proof connectors (english version)

English

#### Instruction Sheet (non U.S.)

English

#### Instruction Sheet (non U.S.)

English

#### 2-7 Position Junior Power Timer Splash Proof Fem. Connector

English