

PRODUCT NUMBER STRUCTURE

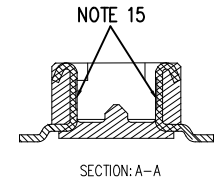
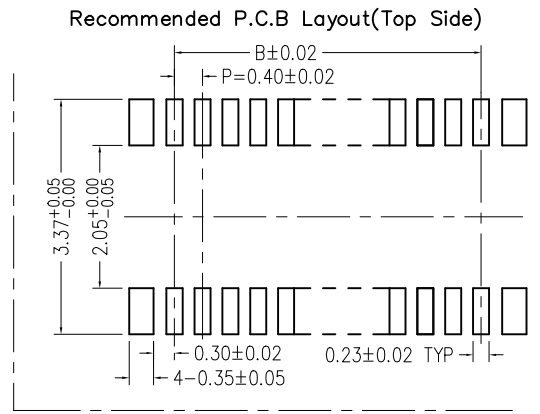
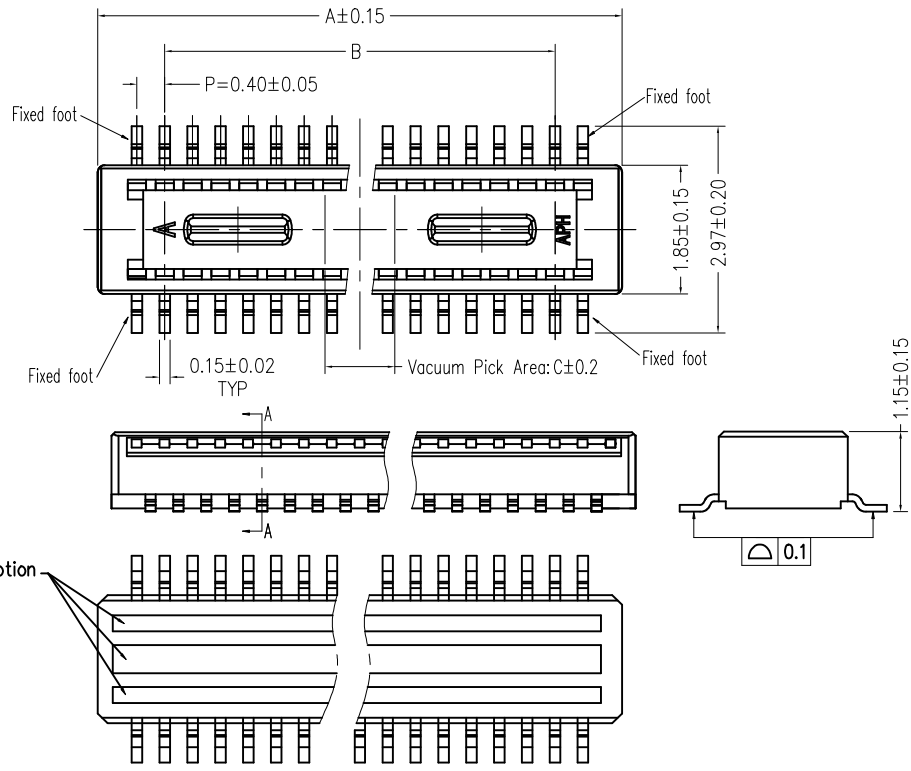
10164228 - AAABCDELFF

No. of Pins:
 010=10Pin; 020=20Pin;
 024=24Pin; 030=30Pin;
 034=34Pin; 040=40Pin;
 050=50Pin; 060=60Pin;
 070=70Pin; 080=80Pin;
 090=90Pin; 100=100Pin;
 120=120Pin

Height:
 1=1.15mm

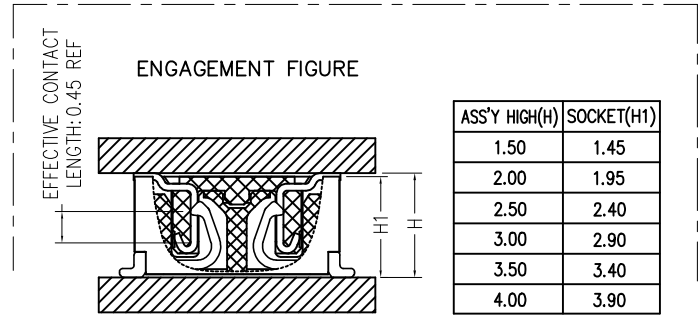
Plating Option:
 A=Gold flash
 B=8u" Min. Au
 C=15u" Min. Au
 E=Gold flash(Contact Area)
 3u" Min Au(Solder Area)
 Housing With Ribs

LF:
 LF=Lead free
 Packing:
 R=Tape & Reel
 Hold down:
 1=Without hold down



Ribs Option

- Note
- CURRENT RATING:
0.3A ON ALL CONTACTS SIMULTANEOUSLY;
 - VOLTAGE RATING: 30V AC ;
 - CONTACT RESISTANCE: 90mΩ Max;
 - WITHSTAND VOLTAGE : 100V AC;
 - INSULATION RESISTANCE: 50MΩ Min;
 - INSULATOR MATERIAL: LCP,G.F,UL94V-0,BK;
 - CONTACT MATERIAL: Copper Alloy;
 - CONTACT PLATING:
SEE CONTACT PLATING OPTION AND ORDERING INFORMATION,
50 μ" NICKEL UNDERPLATING OVERALL;
 - CO-PLANARITY FOR CONTACT TAILS MUST BE 0.1mm MAX.
 - THIS PRODUCT MEETS EUROPEAN UNION DIRECTIVES AND OTHER COUNTRY REGULATIONS AS DESCRIBED IN GS-47-0004.
 - THE HOUSING WILL WITHSTAND EXPOSURE TO 260°C PEAK TEMPERATURE FOR 10SECONDS IN A REFLOW SOLDERING OVEN.
 - RECOMMENDED STENCIL THICKNESS IS 120um.
 - RECOMMENDED STENCIL OPENING RATIO IS 80%.
 - PRODUCT SPEC : GS-12-1404.
 - 10 TO 50 POSITIONS HAVE LOCKING FEATURE BY CONCAVE DESIGN ON CONTACT;
60 TO 100 POSITIONS HAVE NO CONCAVE DESIGN ON CONTACTS.



PART NO.	NO. of contacts	A	B	C
10164228-0101X1RLF	10	3.52	1.60	1.0
10164228-0201X1RLF	20	5.52	3.60	1.0
10164228-0241X1RLF	24	6.32	4.40	1.2
10164228-0301X1RLF	30	7.52	5.60	1.5
10164228-0341X1RLF	34	8.32	6.40	2.3
10164228-0401X1RLF	40	9.52	7.60	3.2
10164228-0501X1RLF	50	11.52	9.60	3.2
10164228-0601X1RLF	60	13.52	11.60	3.2
10164228-0701X1RLF	70	15.52	13.60	3.2
10164228-0801X1RLF	80	17.52	15.60	3.2
10164228-0901X1RLF	90	19.52	17.60	3.2
10164228-1001X1RLF	100	21.52	19.60	3.2
10164228-1201X1RLF	120	25.52	23.60	3.2

mat'l. code		surface	tolerance	projection	product family
		ISO 1302	ISO 406	ISO 1101	BERGSTAK
ltr	ecn no	dr	date	tolerances unless otherwise specified	title
A	-	YY	2022/04/01	angles linear .0±.25	HEADER
B	ELX-N-46224-1	YY	2022/11/14	.00±.20	BERGSTAK 0.4MM BTB
C	ELX-N-51266	SF	2024/04/17	0°±2' .000±.10	scale 1:1
D	ELX-N-57594-1	SF	2025/10/10	dr	Bob Gu 2022/11/14
				eng	Sanford Lu 2025/10/10
				chr	L-Q Lei 2025/10/10
				appd	Tim Yao 2025/10/10
sheet index	revision sheet	D	1		Amphenol FCI
					dwg no 10164228 sheet 1 of 1 size A3
					type Product Customer Drawing