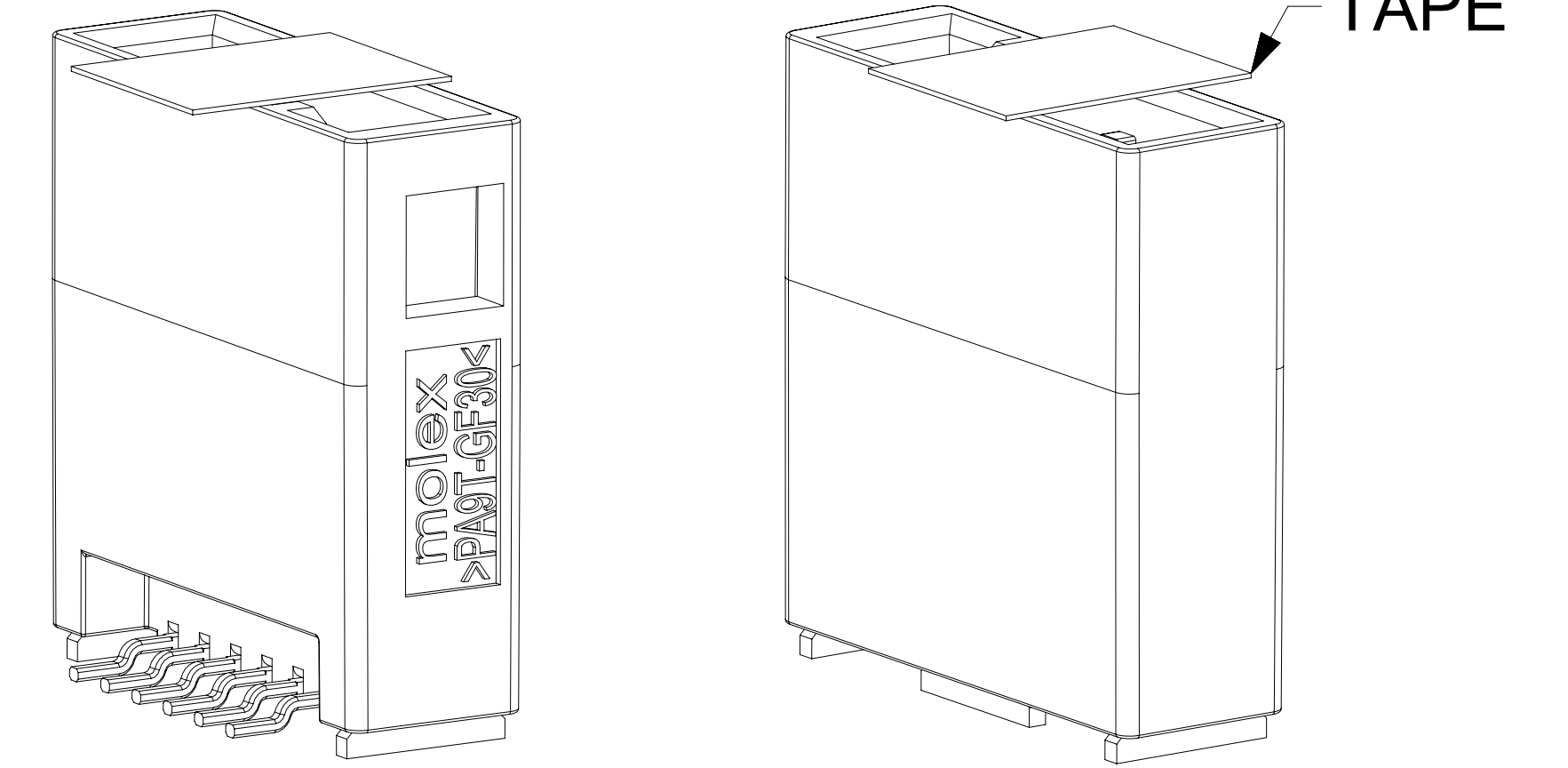


**EXAMPLE:**

PN 2080353041  
 208035 - SERIES NUMBER: SINGLE ROW VERTICAL SMT HEADER - STD. PERF.  
 3 - TYPE OF COMPONENT: V0 MATERIAL; WITH TAPE; FULLY POPULATED  
 04 - 4 USABLE CIRCUITS  
 1 - POL A

FINAL PART: 4CKT SINGLE ROW STANDARD PERFORMANCE VERTICAL SMT HEADER WITH TAPE - KEY A

# CONNTAK50 SINGLE ROW VERTICAL SMT HEADERS (6CKT SHOWN)



	SERIES NUMBERS (AAAAAA)	TYPE OF COMPONENT (B)	USABLE CIRCUITS (CC)	KEY (D)
MATING COMPONENTS	205827 - SR TANG RECEPTACLE	2 - V0 MATL; NO TAPE; FULLY POPULATED 3 - V0 MATL; WITH TAPE; FULLY POPULATED	02 - 2 Circuits	1 - KEY A
ON DRAWING	208037 - SR CLEAN BODY RECEPTACLE		...	2 - KEY B
OTHER	208035 - SR VERTICAL SMT HEADER - STANDARD PERF.		...	3 - KEY C
	208033 - SR RIGHT ANGLE SMT HEADER - STANDARD PERF.		11 - 11 Circuits	4 - KEY D

**NOTES:**

VALID UNLESS OTHERWISE SPECIFIED

1. GENERAL:

- 1.1 APPLICATION SPECIFICATION SEE: 2046310000-AS
- 1.2 PRODUCT SPECIFICATION SEE: 2046310000-PS
- 1.3 PACKAGING SPECIFICATION PER MOLEX DRAWING: 2080333021-PK
  - 1.3.1 PACKAGING IS TAPE & REEL
- 1.4 COMPATIBLE WITH STANDARD AK INTERFACE C-114-94000-20 REV A1
- 1.5 CONFORMS TO MOLEX AK INTERFACE 2046310001 REV A
  - 1.5.1 MOLEX AK INTERFACE IS PART OF PPAP
- 1.6 TRACEABILITY MARKED IN AREA SHOWN. MARK IS CODED AS FOLLOWS:
  - ROW 1 ("XXXXXXXXXX" OR "XXXXXXXXXX-X"):
  - "XXXXXXXXXX" IS MOLEX PART NUMBER ("-X" INDICATES ASSEMBLY LINE NUMBER IF APPLICABLE)
  - ROW 2 (HHDDYY Z)"
    - 1ST & 2ND DIGITS (HH): HOUR OF ASSEMBLY (24 HOUR CLOCK) (EXAMPLE: 15:00 --> "15", 7:00 --> "07")
    - 3RD THRU 5TH DIGITS (DDD): JULIAN DATE (EXAMPLE: FEBRUARY 3RD --> "034")
    - 6TH & 7TH DIGITS (YY): LAST 2 DIGITS OF CALENDAR YEAR (EXAMPLE: 2013 --> "13")
    - 8TH DIGIT (Z): PERFORMANCE MARKING.

2. DESIGN - MATERIALS:

2.1 SHROUD (PLASTIC HOUSING): PA9T-GF30%

2.2 PINS:

- 2.2.1 STANDARD PERFORMANCE PINS
  - BASE MATERIAL: C26000 BRASS
  - UNDERPLATING (CONTACT REGION): NICKEL 1.0 -1.8 µm
  - OVERPLATING (CONTACT REGION): MATTE TIN: 1.0 - 3.0 µm

3. DESIGN - GEOMETRY:

3.1 GEOMETRIC DIMENSIONS AND TOLERANCES PER ASME Y14.5M-2009

INTERFACE	INTERFACE CKT SIZE	DIM A	DIM B	DIM C	DIM D	DIM E	DIM F	KEY	COLOR	STANDARD PERFORMANCE VERTICAL V0 SMT HEADER			TOOLING STATUS
										NO TAPE PART NUMBER	WITH TAPE PART NUMBER	WEIGHT (g)	
	2	10.45	0.125	4.16	4.81	0.125	1.48	A	BLACK	2080352021	2080353021	1.05	AVAILABLE
								B	NATURAL	2080352022	2080353022	1.05	
								C	BLUE	2080352023	2080353023	1.05	
								D	VIOLET	2080352024	2080353024	1.05	
	3	12.25	1.025	5.06	5.71	1.025	2.38	A	BLACK	2080352031	2080353031	1.18	AVAILABLE
								B	NATURAL	2080352032	2080353032	1.18	
								C	BLUE	2080352033	2080353033	1.18	
								D	VIOLET	2080352034	2080353034	1.18	
	4	14.05	1.925	5.96	6.61	1.925	3.28	A	BLACK	2080352041	2080353041	1.31	AVAILABLE
								B	NATURAL	2080352042	2080353042	1.31	
								C	BLUE	2080352043	2080353043	1.31	
								D	VIOLET	2080352044	2080353044	1.31	
	5	15.85	2.825	6.86	7.51	2.825	4.18	A	BLACK	2080352051	2080353051	1.44	AVAILABLE
								B	NATURAL	2080352052	2080353052	1.44	
								C	BLUE	2080352053	2080353053	1.44	
								D	VIOLET	2080352054	2080353054	1.44	
	6	17.65	3.725	7.76	8.41	3.725	5.08	A	BLACK	2080352061	2080353061	1.57	AVAILABLE
								B	NATURAL	2080352062	2080353062	1.57	
								C	BLUE	2080352063	2080353063	1.57	
								D	VIOLET	2080352064	2080353064	1.57	
	7	19.45	4.625	8.66	9.31	4.625	5.98	A	BLACK	2080352071	2080353071	-	INQUIRE FOR AVAILABILITY
								B	NATURAL	2080352072	2080353072	-	
								C	BLUE	2080352073	2080353073	-	
								D	VIOLET	2080352074	2080353074	-	
	8	21.25	5.525	9.56	10.21	5.525	6.88	A	BLACK	2080352081	2080353081	-	INQUIRE FOR AVAILABILITY
								B	NATURAL	2080352082	2080353082	-	
								C	BLUE	2080352083	2080353083	-	
								D	VIOLET	2080352084	2080353084	-	
	9	23.05	6.425	10.46	11.11	6.425	7.78	A	BLACK	2080352091	2080353091	-	INQUIRE FOR AVAILABILITY
								B	NATURAL	2080352092	2080353092	-	
								C	BLUE	2080352093	2080353093	-	
								D	VIOLET	2080352094	2080353094	-	
	10	24.85	7.325	11.36	12.01	7.325	8.68	A	BLACK	2080352101	2080353101	-	INQUIRE FOR AVAILABILITY
								B	NATURAL	2080352102	2080353102	-	
								C	BLUE	2080352103	2080353103	-	
								D	VIOLET	2080352104	2080353104	-	
	11	26.65	8.225	12.26	12.91	8.225	9.58	A	BLACK	2080352111	2080353111	-	INQUIRE FOR AVAILABILITY
								B	NATURAL	2080352112	2080353112	-	
								C	BLUE	2080352113	2080353113	-	
								D	VIOLET	2080352114	2080353114	-	

PERFORMANCE MARK: S

INSPECTION BALLOON LOG		B7	ADDED WEIGHTS TO BOM TABLE
PER DRAWING REVISION: B7		B6	ADDED: REFERENCE DIMS FOR PICKUP TAPE
LAST BALLOON USED: 10		B5	UPDATE: VIEWS FOR SWITCH TO PICKUP TAPE FROM CAP; POL B COLOR FROM GREY TO NATURAL
ADDED BALLOON NUMBERS:		B4	NO CHANGE TO SALES DRAWING, CHANGED ENGINEERING AND ASSEMBLY DRAWING
REMOVED BALLOON NUMBERS:		B3	UPDATED TOLERANCE ON DIM 3 FROM 0.10 TO 0.20MM
		B2	CHANGED CLEANBODY SERIES NUMBER IN THE TABLE
		B1	ADDED DIM 1a
		B	REMOVED DATUMS D, E, & F; ADDED DATUM G; UPDATED PCB LAYOUT; REMOVED HIGH PERFORMANCE PART NUMBERS; ADDED "NO CAP" PART NUMBERS; UPDATED STANDARD PERFORMANCE PLATING; RENUMBERED DIMENSIONS
		REV	DESCRIPTION
THIS DRAWING CONTAINS INFORMATION THAT IS PROPRIETARY TO MOLEX ELECTRONIC TECHNOLOGIES, LLC AND SHOULD NOT BE USED WITHOUT WRITTEN PERMISSION			
DIMENSION UNITS	SCALE	CURRENT REV DESC: Weight Column added to BOM Table	
MM	5:1		
GENERAL TOLERANCES (UNLESS SPECIFIED)			
ANGULAR TOL	± 0.5°		
4 PLACES	± 0	EC NO: CO-000022058	
3 PLACES	± 0	DRWN: Skyler Russ 05-Feb-2025	
2 PLACES	± 0	CHK'D: Skyler Russ 11-Feb-2025	
1 PLACE	± 0	APPR: Jeremy Dunaj 11-Feb-2025	
0 PLACES	± 0	INITIAL REVISION:	
DRAFT WHERE APPLICABLE MUST REMAIN WITHIN DIMENSIONS		DRWN: infodba 17-Feb-2022	
THIRD ANGLE PROJECTION		APPR: Paul Graczyk 21-Mar-2022	
D-DRAWING		SERIES	
D-SIZE		208035	
MATERIAL NUMBER		CUSTOMER	
SEE TABLE		GENERAL MARKET	
SHEET NUMBER		1 OF 2	



CONNTAK50 SR VERT HDR SALES DRAWING

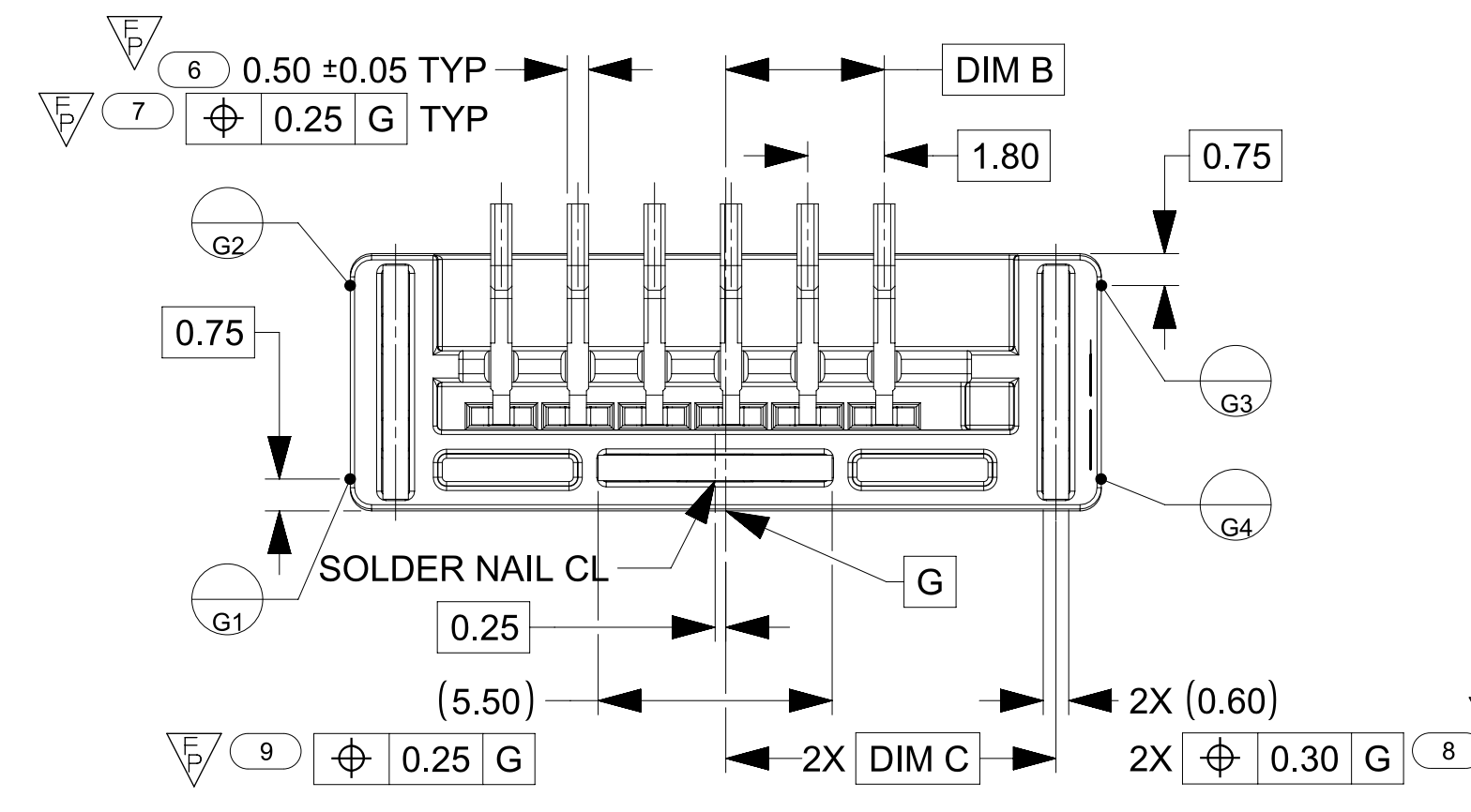
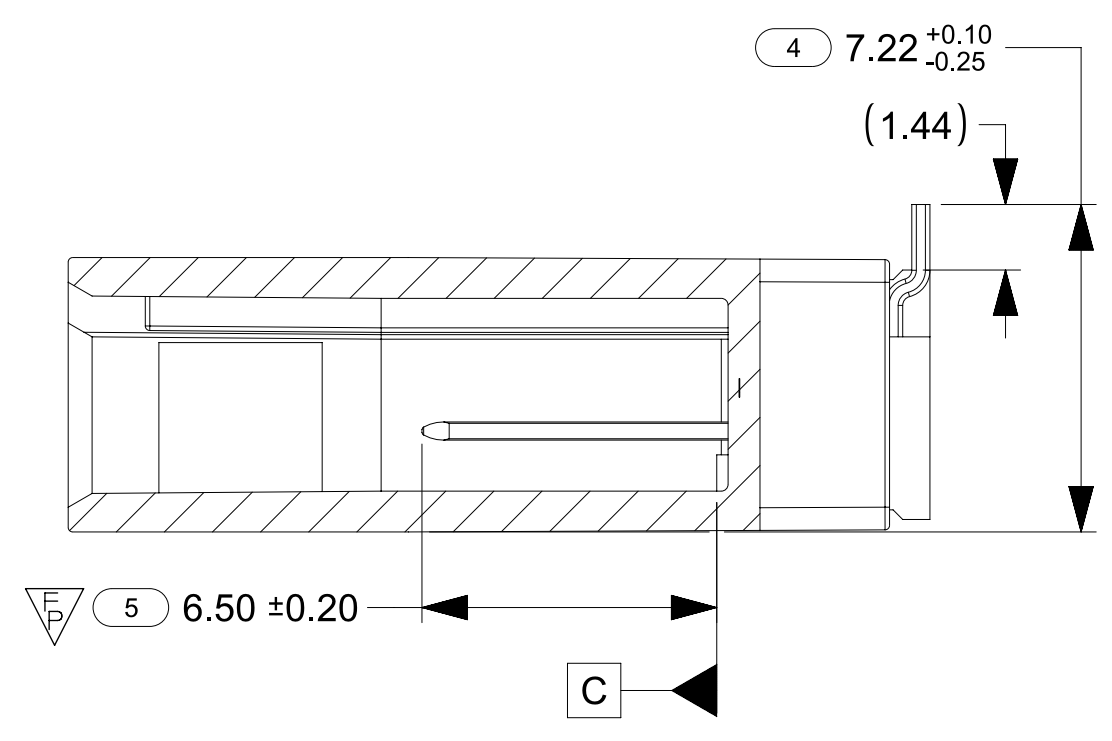
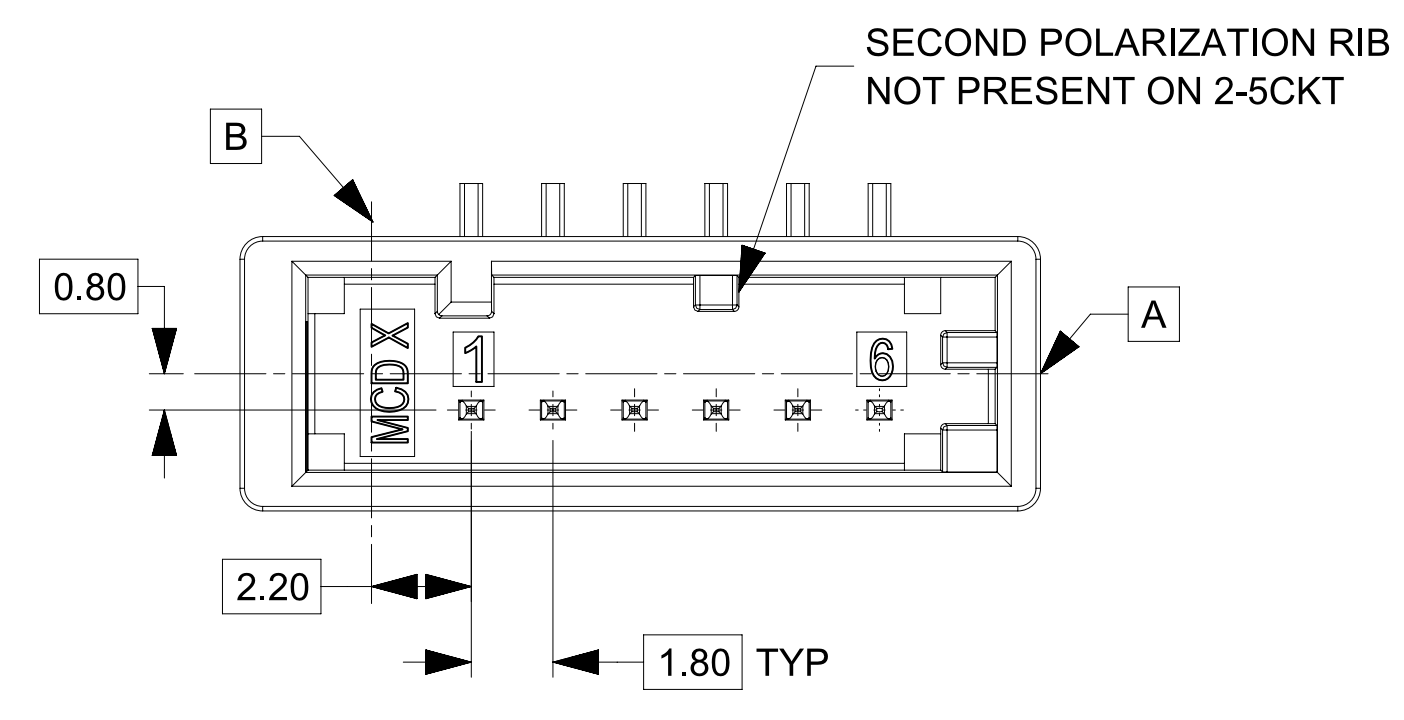
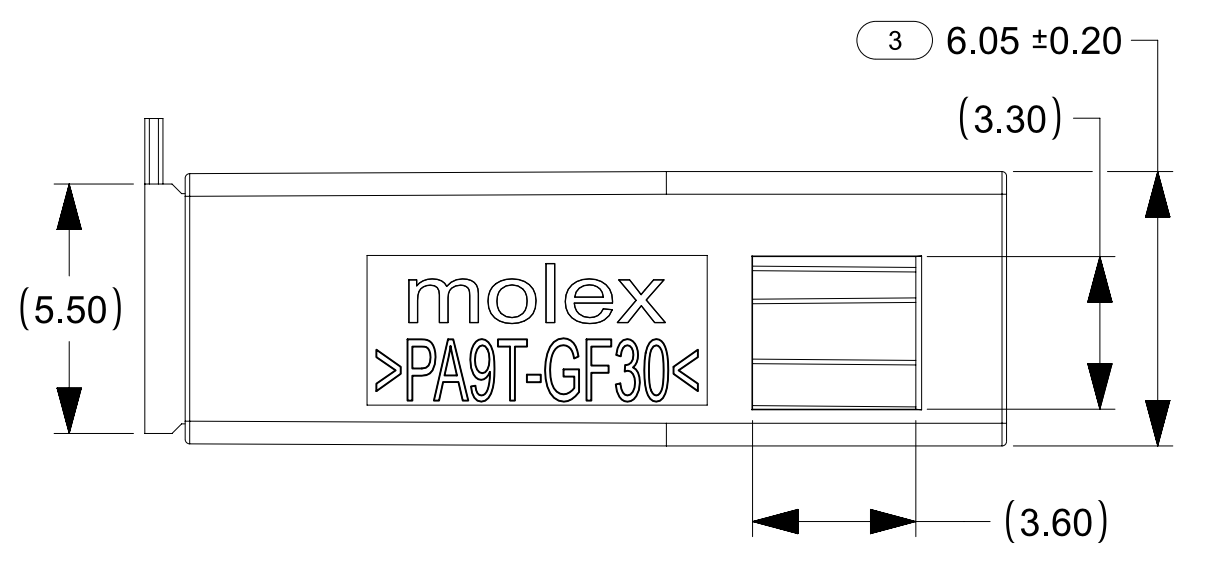
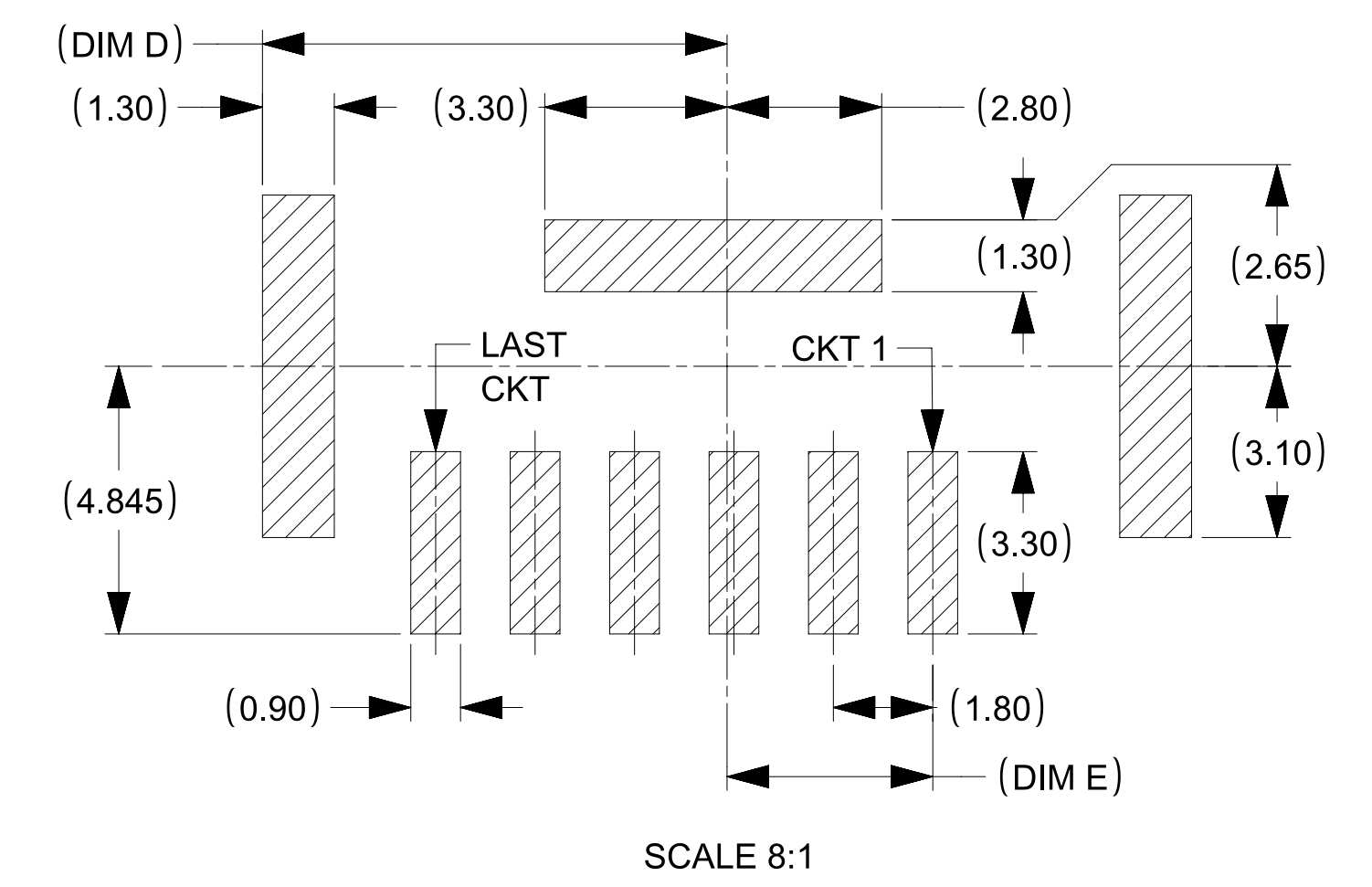
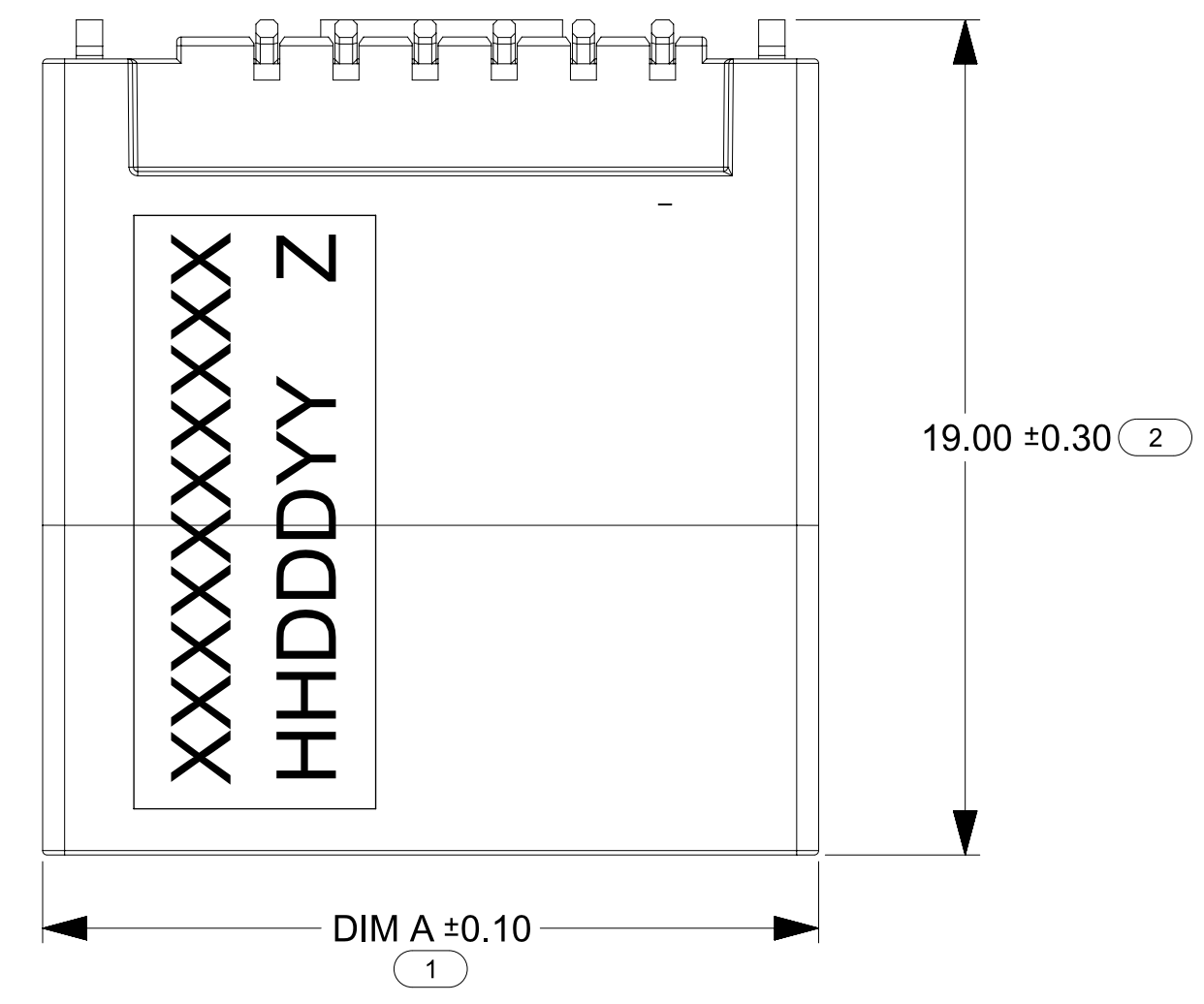
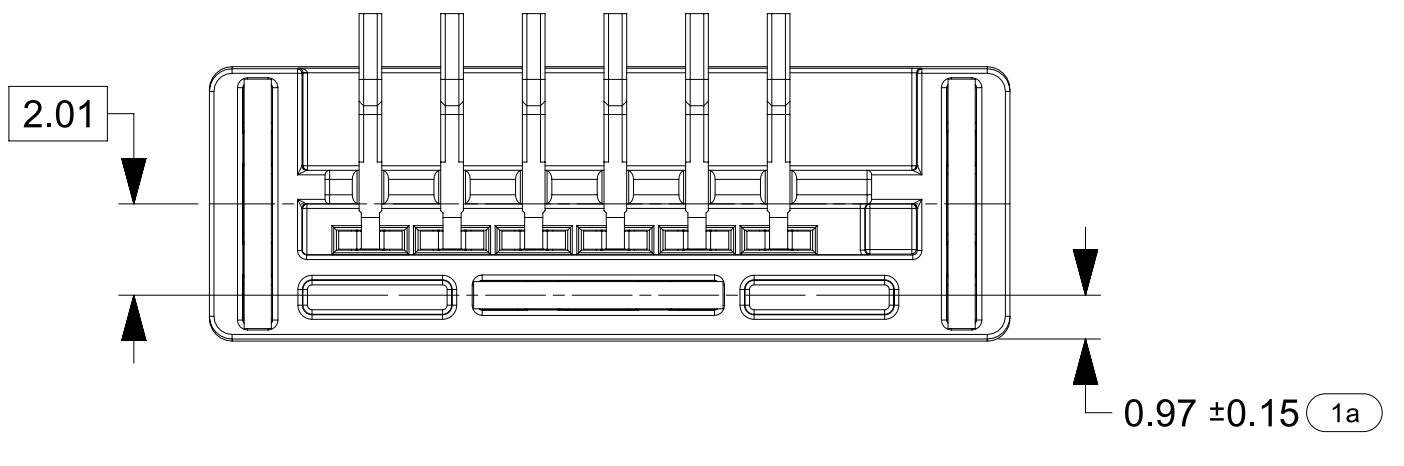
PRODUCT CUSTOMER DRAWING

DOCUMENT NUMBER DOC TYPE DOC PART REVISION

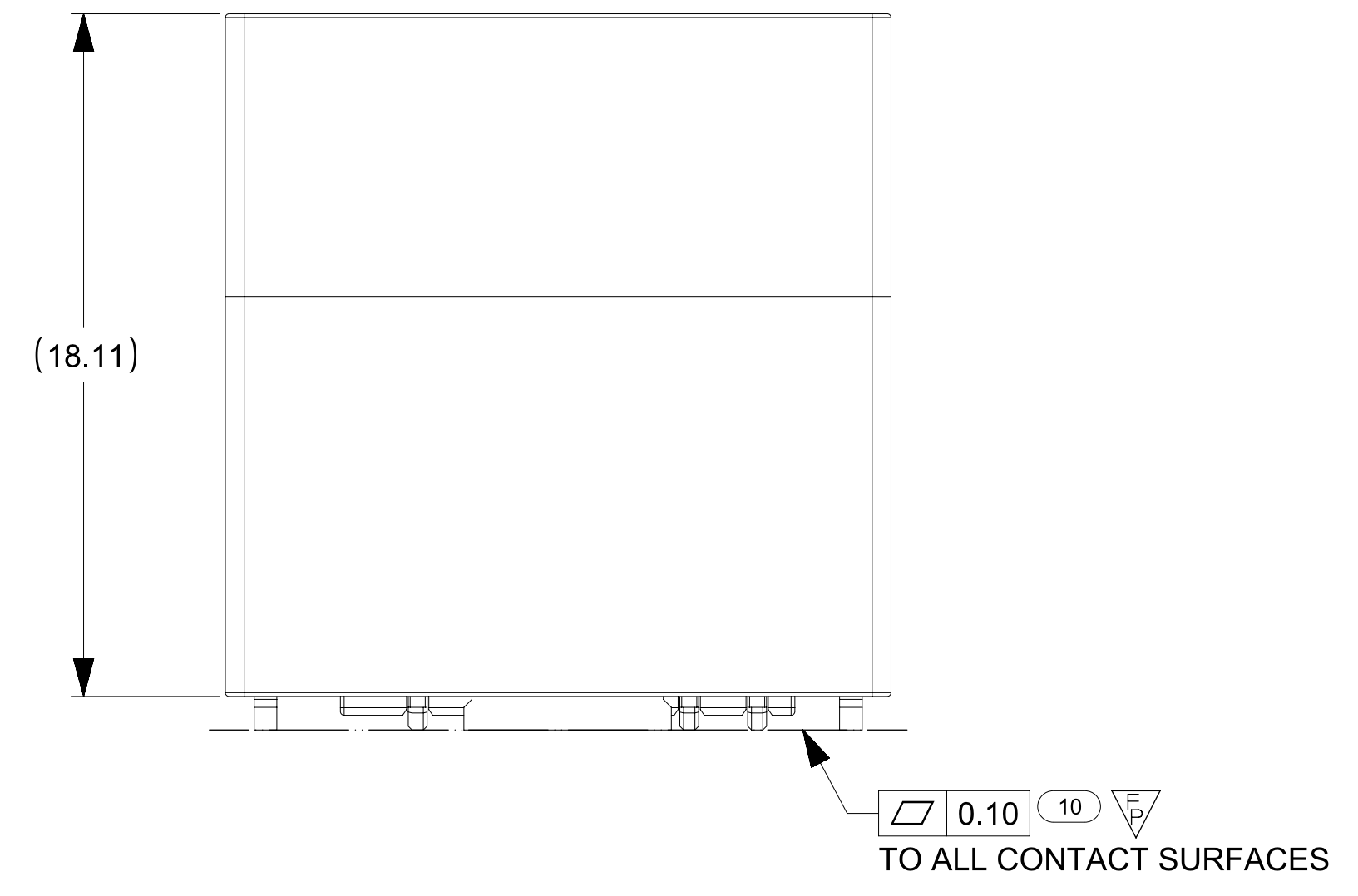
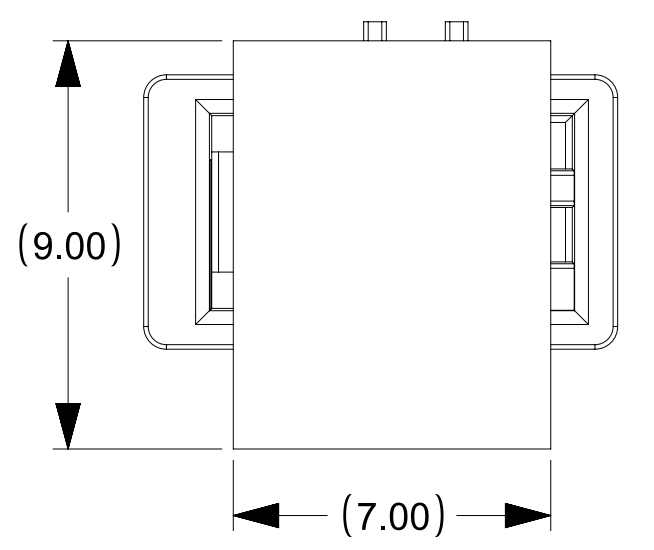
2080350003 PSD 000 B7

6CKT KEY A (2080353061) SHOWN EXCEPT WHERE NOTED  
 REFER TO 2046310001 FOR INTERFACE DIMENSIONS

**POSSIBLE PCB LAYOUT**  
 LAND PATTERN SHOWN AT MMC



2CKT WITH TAPE SHOWN FOR REFERENCE



KEYING OPTIONS			
KEY A (BLACK)	KEY B (NATURAL)	KEY C (BLUE)	KEY D (VIOLET)

THIS DRAWING CONTAINS INFORMATION THAT IS PROPRIETARY TO MOLEX ELECTRONIC TECHNOLOGIES, LLC AND SHOULD NOT BE USED WITHOUT WRITTEN PERMISSION

DIMENSION UNITS <b>MM</b>	SCALE <b>6:1</b>	CURRENT REV DESC: Weight Column added to BOM Table	<b>molex</b>				
GENERAL TOLERANCES (UNLESS SPECIFIED)							
ANGULAR TOL ± 0.5°	4 PLACES ± 0	3 PLACES ± 0	CONNTAK50 SR VERT HDR SALES DRAWING				
2 PLACES ± 0	1 PLACE ± 0	0 PLACES ± 0	PRODUCT CUSTOMER DRAWING				
DRAFT WHERE APPLICABLE MUST REMAIN WITHIN DIMENSIONS		THIRD ANGLE PROJECTION	DRAWING <b>D-SIZE</b>	SERIES <b>208035</b>	MATERIAL NUMBER <b>SEE TABLE</b>	CUSTOMER <b>GENERAL MARKET</b>	SHEET NUMBER <b>2 OF 2</b>
		EC NO: CO-000022058	DOCUMENT NUMBER <b>2080350003</b>				
		DRWN: Skyler Russ	DOC TYPE <b>PSD</b>				
		CHK'D: Skyler Russ	DOC PART <b>000</b>				
		APPR: Jeremy Dunaj	REVISION <b>B7</b>				
		INITIAL REVISION:	DOC TYPE <b>000</b>				
		DRWN: infodba	DOC PART <b>000</b>				
		APPR: Paul Graczyk	REVISION <b>B7</b>				