



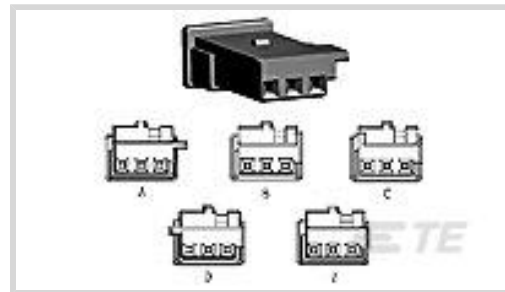
MQS

TE Internal #: 4-1718346-1

Housing for Female Terminals, Wire-to-Wire, 3 Position, 2.54 mm [.1 in] Centerline, Claret Violet, Wire & Cable, Signal, Cable Mount (Free-Hanging)

[View on TE.com >](#)

Connectors > Automotive Connectors > Automotive Housings > MQS, CONNECTOR HOUSING



Connector System: **Wire-to-Wire**

Number of Positions: **3**

Connector & Housing Type: **Housing for Female Terminals**

Centerline (Pitch): **2.54 mm [.1 in]**

Sealable: **No**

[All MQS, CONNECTOR HOUSING \(353\)](#)

Features

Product Type Features

| | |
|-----------------------------------|------------------------------|
| Connector System | Wire-to-Wire |
| Connector & Housing Type | Housing for Female Terminals |
| Sealable | No |
| Connector & Contact Terminates To | Wire & Cable |
| Primary Locking Feature | On the Terminal |
| Mixed & Hybrid Connector | No |
| Connector Shape | Rectangular |

Configuration Features

| | |
|---------------------|---|
| Number of Positions | 3 |
| Number of Rows | 1 |

Housing Features

| | |
|--------------------|-----------------|
| Centerline (Pitch) | 2.54 mm [.1 in] |
| Housing Material | PBT GF |

Contact Features

| | |
|------------------------------|------------------|
| Mating Tab Width | .63 mm [.025 in] |
| Contact Current Rating (Max) | 7.5 A |
| Contact Size | .63mm |



| | |
|--------------|------------|
| Contact Type | Receptacle |
|--------------|------------|

Body Features

| | |
|-------------------------|---------------|
| Primary Product Color | Claret Violet |
| Connector & Keying Code | D |
| Cable Exit Angle | 180° |

Operation/Application

| | |
|---------------------|--------|
| Circuit Application | Signal |
|---------------------|--------|

Mechanical Attachment

| | |
|-----------------------------|----------------------------|
| Connector Mounting Type | Cable Mount (Free-Hanging) |
| Strain Relief | Without |
| Terminal Position Assurance | Yes |
| Mating Alignment Type | Keyed |
| Mating Alignment | With |

Usage Conditions

| | |
|-----------------------------|----------------------------|
| Operating Temperature (Max) | 120 °C[248 °F] |
| Operating Temperature Range | -40 – 120 °C[-40 – 248 °F] |

Electrical Characteristics

| | |
|------------------------------|------------|
| Nominal Voltage Architecture | 24 V, 12 V |
| Operating Voltage | 24 VDC |

Other

| | |
|--------------------------------------|-----------|
| Connector Position Assurance Capable | No |
| EU RoHS Compliance | Compliant |
| EU ELV Compliance | Compliant |
| Serviceable | No |

Dimensions

| | |
|------------------|------------------|
| Product Width | 16.7 mm[.657 in] |
| Product Length | 10 mm[.394 in] |
| Connector Height | 4.35 mm[.171 in] |

Industry Standards

| | |
|------------------------|---------|
| UL Flammability Rating | UL 94HB |
|------------------------|---------|

Packaging Features

| | |
|--------------------|------|
| Packaging Method | Box |
| Packaging Quantity | 5000 |

Product Compliance

[For compliance documentation, visit the product page on TE.com>](#)

| | |
|---|---|
| EU RoHS Directive 2011/65/EU | Compliant |
| EU ELV Directive 2000/53/EC | Compliant |
| China RoHS 2 Directive MIIT Order No 32, 2016 | No Restricted Materials Above Threshold |
| EU REACH Regulation (EC) No. 1907/2006 | Current ECHA Candidate List: JUNE 2024 (241) Candidate List Declared Against: JUNE 2024 (241) Does not contain REACH SVHC |
| Halogen Content | BFR/CFR/PVC Free, but Br/Cl >900 ppm in other sources. |
| Solder Process Capability | Not applicable for solder process capability |

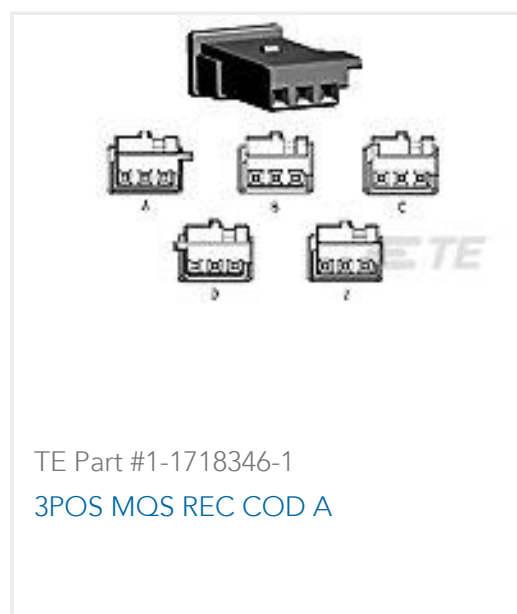
Product Compliance Disclaimer

This information is provided based on reasonable inquiry of our suppliers and represents our current actual knowledge based on the information they provided. This information is subject to change. The part numbers that TE has identified as EU RoHS compliant have a maximum concentration of 0.1% by weight in homogenous materials for lead, hexavalent chromium, mercury, PBB, PBDE, DBP, BBP, DEHP, DIBP, and 0.01% for cadmium, or qualify for an exemption to these limits as defined in the Annexes of Directive 2011/65/EU (RoHS2). Finished electrical and electronic equipment products will be CE marked as required by Directive 2011/65/EU. Components may not be CE marked. Additionally, the part numbers that TE has identified as EU ELV compliant have a maximum concentration of 0.1% by weight in homogenous materials for lead, hexavalent chromium, and mercury, and 0.01% for cadmium, or qualify for an exemption to these limits as defined in the Annexes of Directive 2000/53/EC (ELV). Regarding the REACH Regulation, the information TE provides on SVHC in articles for this part number is based on the latest European Chemicals Agency (ECHA) 'Guidance on requirements for substances in articles' posted at this URL: <https://echa.europa.eu/guidance-documents/guidance-on-reach>

Compatible Parts



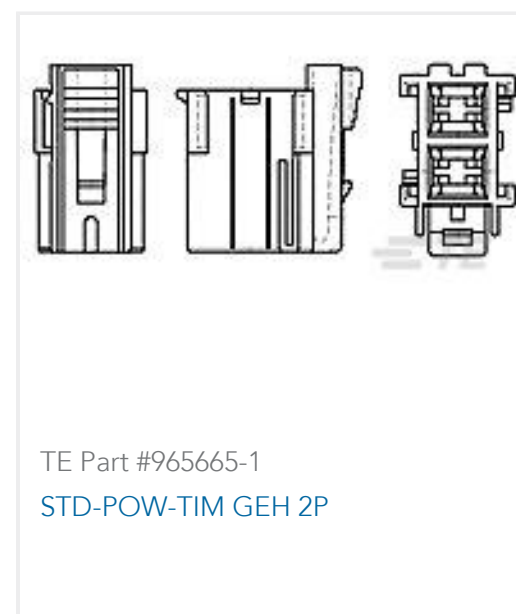
Customers Also Bought



TE Part #1-1718346-1
3POS MQS REC COD A



TE Part #1801176-1
2W RECEPTACLE HPSL CONNECTOR
BLACK



TE Part #965665-1
STD-POW-TIM GEH 2P



TE Part #1-1743447-2
ACTION PIN FOR 1.2mm TAB



TE Part #1452128-1
MQS, RECEPTACLE AND TAB



TE Part #1-967573-1
10pos MQS .63 header 90deg



TE Part #1-2141154-2
2POS,8MM HV,REC HSG,90DEG,ASSY,
SEALED



TE Part #9-2334942-1
HD MATEnet COVER FOR SWS, GRP
D



TE Part #2138557-2
2P GENERATION Y Plug, Single-P

Documents

Product Drawings

[3POS MQS REC COD D](#)

English

CAD Files

Customer View Model

[ENG_CVM_CVM_4-1718346-1_A.2d_dxf.zip](#)

English

3D PDF

3D

Customer View Model

[ENG_CVM_CVM_4-1718346-1_A.3d_igs.zip](#)

English

Customer View Model

[ENG_CVM_CVM_4-1718346-1_A.3d_stp.zip](#)

English

By downloading the CAD file I accept and agree to the [Terms and Conditions](#) of use.

Product Specifications

4-1718346-1

Housing for Female Terminals, Wire-to-Wire, 3 Position, 2.54 mm [.1 in] Centerline,
Claret Violet, Wire & Cable, Signal, Cable Mount (Free-Hanging)



Product Specification

English