

282105-1 ✓ ACTIVE

AMP | AMP Superseal 1.5mm Series

TE Internal #: 282105-1

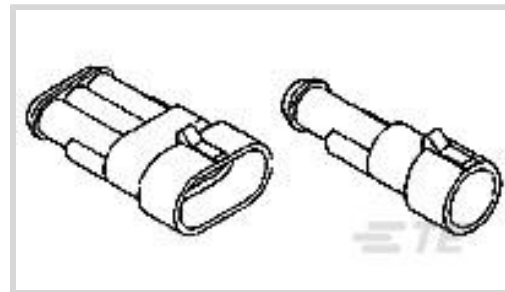
Housing for Male Terminals, Wire-to-Wire, 3 Position, 6 mm [.236 in] Centerline, Sealable, Black, Wire & Cable, Signal, AMP

Superseal 1.5mm Series

[View on TE.com >](#)



Connectors > Automotive Connectors > Automotive Housings > AMP SUPERSEAL 1.5MM, CONNECTOR HOUSING



Connector System: **Wire-to-Wire**

Number of Positions: **3**

Connector & Housing Type: **Housing for Male Terminals**

Centerline (Pitch): **6 mm [.236 in]**

Sealable: **Yes**

[All AMP SUPERSEAL 1.5MM, CONNECTOR HOUSING \(19\)](#)

Features

Product Type Features

Connector System	Wire-to-Wire
Connector & Housing Type	Housing for Male Terminals
Sealable	Yes
Connector & Contact Terminates To	Wire & Cable
Primary Locking Feature	On the Terminal
Mixed & Hybrid Connector	No
Connector Shape	Rectangular

Configuration Features

Number of Positions	3
Number of Rows	1

Housing Features

Centerline (Pitch)	6 mm [.236 in]
Housing Material	PA GF

Body Features

Primary Product Color	Black
Connector & Keying Code	Neutral
Cable Exit Angle	180°



Contact Features

Contact Current Rating (Max)	14 A
Contact Size	1.5mm
Contact Type	Tab

Operation/Application

Circuit Application	Signal
---------------------	--------

Mechanical Attachment

Connector Mounting Type	Cable Mount (Free-Hanging)
Strain Relief	Without
Terminal Position Assurance	Yes
Mating Alignment Type	Polarizing Rib
Mating Alignment	With

Usage Conditions

Operating Temperature (Max)	80 °C, 125 °C, 105 °C, 90 °C, 100 °C, 85 °C, 75 °C, 70 °C, 110 °C, 120 °C[248 °F][221 °F][158 °F][167 °F][230 °F][176 °F][194 °F][185 °F][212 °F][257 °F]
Operating Temperature Range	-40 – 125 °C[-40 – 257 °F]

Electrical Characteristics

Nominal Voltage Architecture	24 V, 12 V
Operating Voltage	24 VDC

Other

Connector Position Assurance Capable	No
EU RoHS Compliance	Compliant
EU ELV Compliance	Compliant
Serviceable	Yes

Dimensions

Product Width	13.8 mm[.543 in]
Product Length	25.8 mm[1.016 in]
Connector Height	42 mm[1.654 in]

Industry Standards

IP Rating	IP67
-----------	------



Packaging Features

Packaging Quantity	1200
Packaging Method	Box

Product Compliance

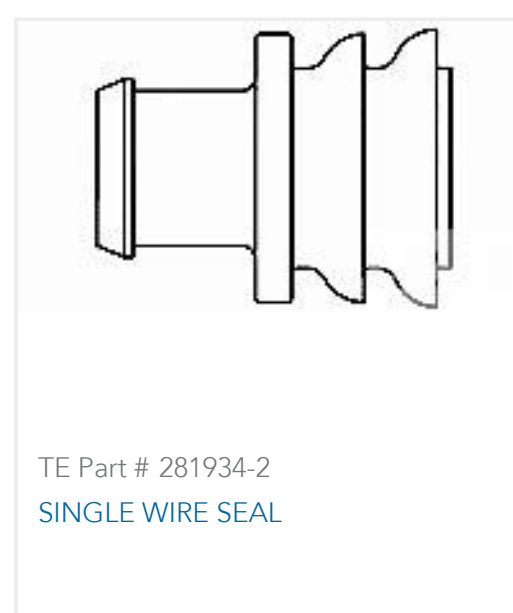
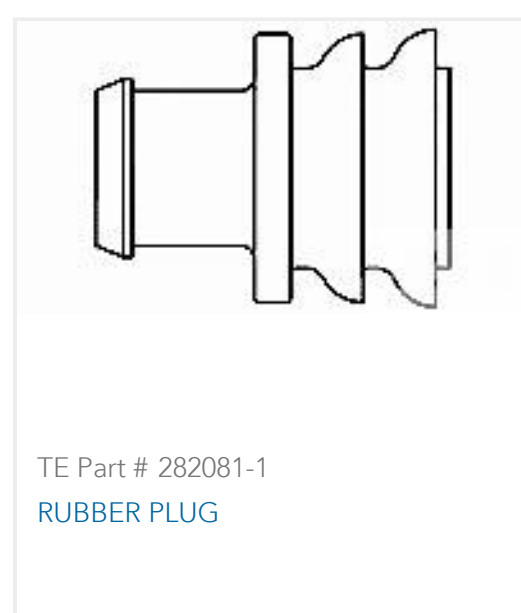
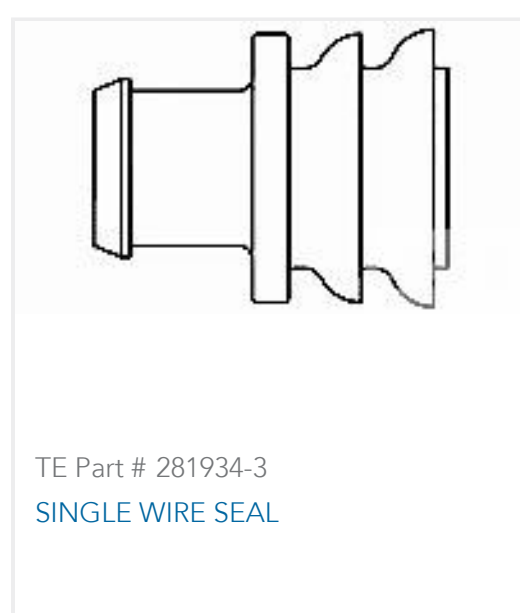
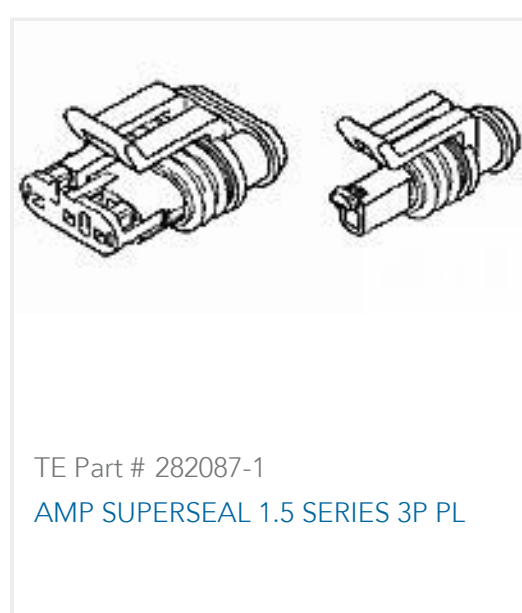
[For compliance documentation, visit the product page on TE.com>](#)

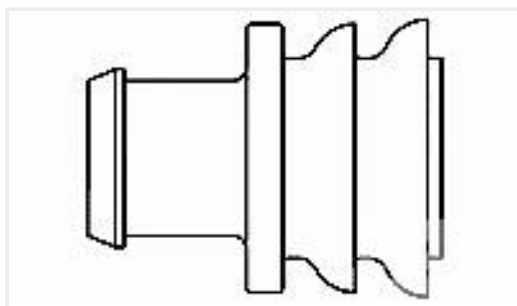
EU RoHS Directive 2011/65/EU	Compliant
EU ELV Directive 2000/53/EC	Compliant
China RoHS 2 Directive MIIT Order No 32, 2016	No Restricted Materials Above Threshold
EU REACH Regulation (EC) No. 1907/2006	Current ECHA Candidate List: JUNE 2024 (241) Candidate List Declared Against: JUNE 2024 (241) Does not contain REACH SVHC
Halogen Content	Low Halogen - Br, Cl, F, I < 900 ppm per homogenous material. Also BFR/CFR/PVC Free
Solder Process Capability	Not applicable for solder process capability

Product Compliance Disclaimer

This information is provided based on reasonable inquiry of our suppliers and represents our current actual knowledge based on the information they provided. This information is subject to change. The part numbers that TE has identified as EU RoHS compliant have a maximum concentration of 0.1% by weight in homogenous materials for lead, hexavalent chromium, mercury, PBB, PBDE, DBP, BBP, DEHP, DIBP, and 0.01% for cadmium, or qualify for an exemption to these limits as defined in the Annexes of Directive 2011/65/EU (RoHS2). Finished electrical and electronic equipment products will be CE marked as required by Directive 2011/65/EU. Components may not be CE marked. Additionally, the part numbers that TE has identified as EU ELV compliant have a maximum concentration of 0.1% by weight in homogenous materials for lead, hexavalent chromium, and mercury, and 0.01% for cadmium, or qualify for an exemption to these limits as defined in the Annexes of Directive 2000/53/EC (ELV). Regarding the REACH Regulation, the information TE provides on SVHC in articles for this part number is based on the latest European Chemicals Agency (ECHA) 'Guidance on requirements for substances in articles' posted at this URL: <https://echa.europa.eu/guidance-documents/guidance-on-reach>

Compatible Parts





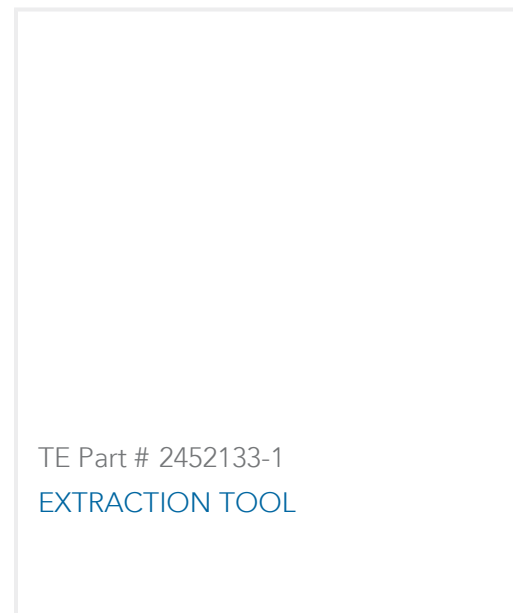
TE Part # 281934-4
SINGLE WIRE SEAL



TE Part # CAT-AM71-T273
AMP SUPERSEAL 1.5MM,
RECEPTACLE AND TAB



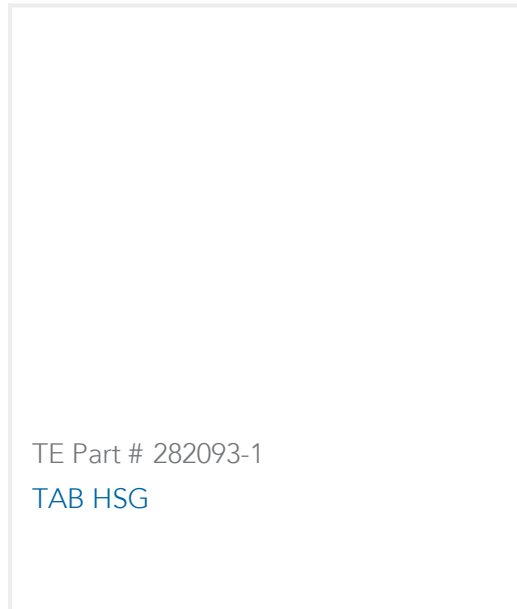
TE Part # 785061-2
INSERT TOOL SEC-LOC TB 3,4,5,6P



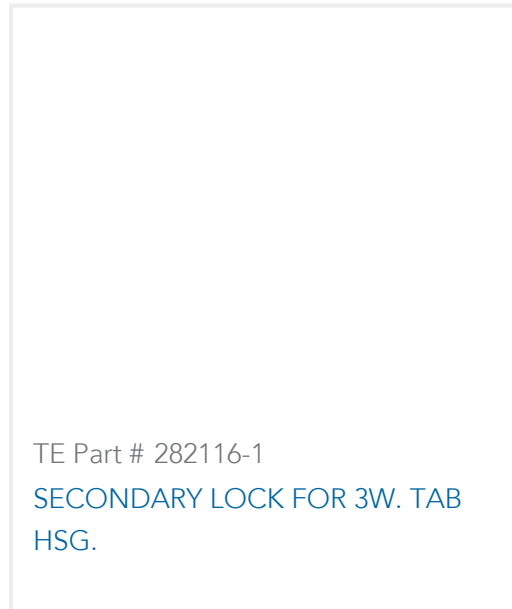
TE Part # 2452133-1
EXTRACTION TOOL



TE Part # 880811-2
COVER CAP, 3 WAY



TE Part # 282093-1
TAB HSG



TE Part # 282116-1
SECONDARY LOCK FOR 3W. TAB
HSG.

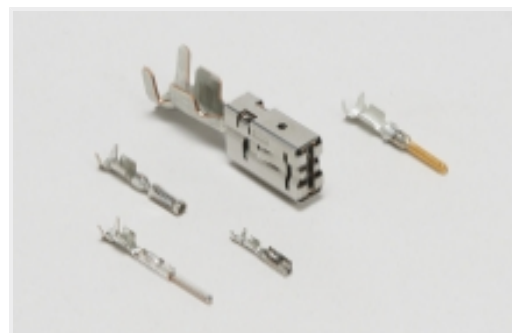
Also in the Series | **AMP Superseal 1.5mm Series**



Automotive Connector Caps & Covers
(1)



Automotive Housings(24)



Automotive Terminals(16)



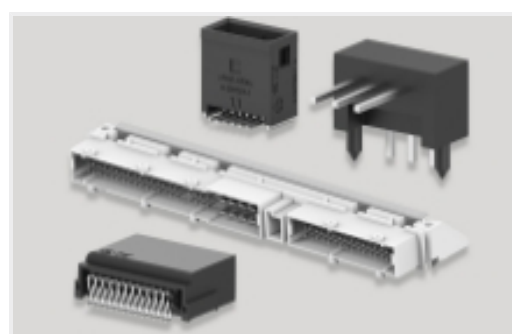
Connector Seals & Cavity Plugs(6)



Insertion & Extraction Tools(3)



Other Automotive Connector
Accessories(1)

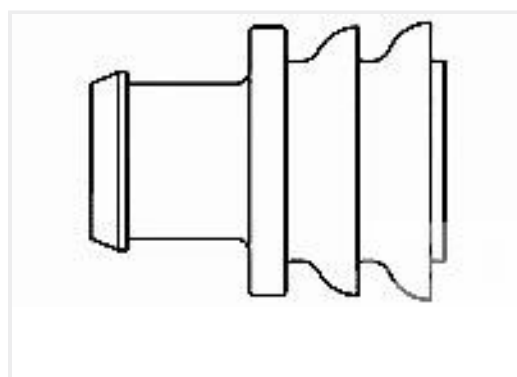


PCB Headers & Receptacles(1)

Customers Also Bought



TE Part #282108-1
AMP SUPERSEAL 1.5MM,
CONNECTOR HOUSING



TE Part #282081-1
RUBBER PLUG



TE Part #183036-1
AMP SUPERSEAL 1.5MM,
RECEPTACLE AND TAB



Documents

Product Drawings

[AMP SUPERSEAL 1.5 SERIES 3P CA](#)

English

CAD Files

[3D PDF](#)

3D

Customer View Model

[ENG_CVM_CVM_282105-1_B.2d_dxf.zip](#)

English

Customer View Model

[ENG_CVM_CVM_282105-1_B.3d_igs.zip](#)

English

Customer View Model

[ENG_CVM_CVM_282105-1_B.3d_stp.zip](#)

English

By downloading the CAD file I accept and agree to the [Terms and Conditions](#) of use.

Datasheets & Catalog Pages

[AMP SUPERSEAL 1.5mm Connector System](#)

English

[ICT Terminals and Connectors Catalogue](#)

English

Product Specifications

[Product Specification](#)

English

Instruction Sheets

[AMP SUPERSEAL 1.5 SERIES](#)

English

[Customer Manual \(non U.S.\)](#)

English