

1-292254-1 ✓ ACTIVE



AMP CT

TE Internal #: 1-292254-1

Connector Assembly, Plug to Plug Relay Header, Wire-to-Panel, 11

Position, 2 mm [.078 in] Centerline, 1 Row, Natural, Mating

Retention, Signal, AMP CT

[View on TE.com >](#)

Connectors > PCB Connectors > Wire-to-Board Connectors > Wire-to-Board Connector Assemblies & Housings



Connector Product Type: **Connector Assembly**

Connector & Housing Type: **Plug to Plug Relay Header**

Connector System: **Wire-to-Panel**

Number of Positions: **11**

Centerline (Pitch): **2 mm [.078 in]**

Features

Product Type Features

Connector Product Type	Connector Assembly
Connector & Housing Type	Plug to Plug Relay Header
Connector System	Wire-to-Panel
Sealable	No

Configuration Features

Number of Positions	11
Number of Rows	1

Housing Features

Centerline (Pitch)	2 mm [.078 in]
Housing Material	Nylon 66

Body Features

Primary Product Color	Natural
-----------------------	---------

Mechanical Attachment



Mating Retention	With
Connector Mounting Type	Panel Mount
Panel Mount Feature Type	Latches
Strain Relief	Without
Panel Mount Feature	With
Mating Retention Type	Locking Latch

Contact Features

Contact Current Rating (Max)	4 A
Contact Retention Within Housing	Without
Contact Base Material	Brass
Contact Type	Pin

Operation/Application

Circuit Application	Signal
---------------------	--------

Usage Conditions

Operating Temperature Range	-40 – 105 °C[-40 – 221 °F]
-----------------------------	----------------------------

Other

EU RoHS Compliance	Compliant
EU ELV Compliance	Compliant

Electrical Characteristics

Operating Voltage	125 V
-------------------	-------

Dimensions

Connector Width	6 mm[.236 in]
Panel Thickness (Recommended)	.81 – 1.6 mm[.032 – .063 in]
Connector Height	12 mm[.472 in]
Connector Length	25.78 mm[1.014 in]

Industry Standards

Compatible With Agency/Standards Products	UL, CSA
UL Flammability Rating	UL 94V-0
Compatible With Approved Standards Products	UL Recognized

Packaging Features

Packaging Method	Bag & Box
Packaging Quantity	300



Product Compliance

[For compliance documentation, visit the product page on TE.com>](#)

EU RoHS Directive 2011/65/EU	Compliant
EU ELV Directive 2000/53/EC	Compliant
China RoHS 2 Directive MIIT Order No 32, 2016	No Restricted Materials Above Threshold
EU REACH Regulation (EC) No. 1907/2006	Current ECHA Candidate List: JUNE 2024 (241) Candidate List Declared Against: JUNE 2024 (241) Does not contain REACH SVHC
Halogen Content	Low Halogen - Br, Cl, F, I < 900 ppm per homogenous material. Also BFR/CFR/PVC Free
Solder Process Capability	Not applicable for solder process capability

Product Compliance Disclaimer

This information is provided based on reasonable inquiry of our suppliers and represents our current actual knowledge based on the information they provided. This information is subject to change. The part numbers that TE has identified as EU RoHS compliant have a maximum concentration of 0.1% by weight in homogenous materials for lead, hexavalent chromium, mercury, PBB, PBDE, DBP, BBP, DEHP, DIBP, and 0.01% for cadmium, or qualify for an exemption to these limits as defined in the Annexes of Directive 2011/65/EU (RoHS2). Finished electrical and electronic equipment products will be CE marked as required by Directive 2011/65/EU. Components may not be CE marked. Additionally, the part numbers that TE has identified as EU ELV compliant have a maximum concentration of 0.1% by weight in homogenous materials for lead, hexavalent chromium, and mercury, and 0.01% for cadmium, or qualify for an exemption to these limits as defined in the Annexes of Directive 2000/53/EC (ELV). Regarding the REACH Regulation, the information TE provides on SVHC in articles for this part number is based on the latest European Chemicals Agency (ECHA) 'Guidance on requirements for substances in articles' posted at this URL: <https://echa.europa.eu/guidance-documents/guidance-on-reach>

Compatible Parts



TE Part # CAT-AM7017-C7671
Common Termination Contacts — POWER TRIPLE LOCK



TE Part # CAT-AM7017-H8172
AMP COMMON TERMINATION HOUSINGS



TE Part # 1-353293-3
MINI CT MT REC ASSY 13P GRAY

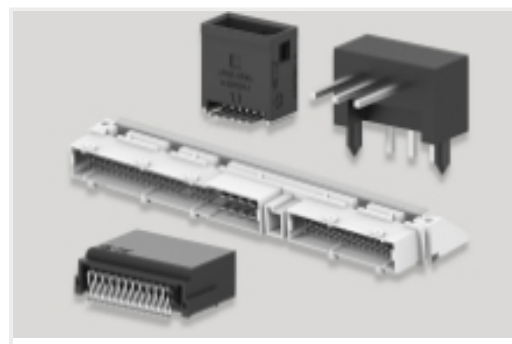
Also in the Series | AMP CT



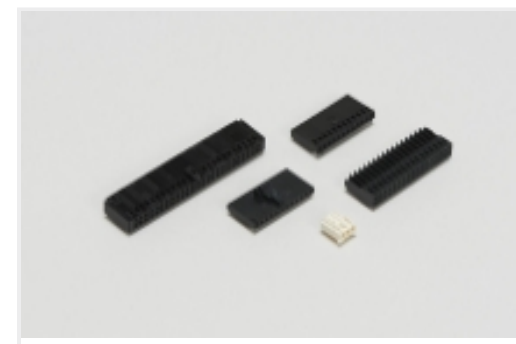
Connector Contacts(8)



Connector Hardware(46)



PCB Headers & Receptacles(756)



Wire-to-Board Connector Assemblies & Housings(255)

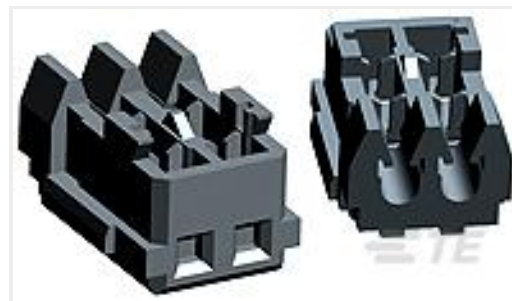
Customers Also Bought



TE Part #1-292254-5
CT RELAY HDR ASSY 15P NAT



TE Part #2-353294-2
AMP MINI D/R HDR HSG 22P NATU



TE Part #1-353293-2
MINI CT MT REC ASSY 12P GRAY



TE Part #2-353294-8
AMP MINI D/R HDR HSG 28P NATU



TE Part #353293-9
MINI CT MT REC ASSY 9P GRAY



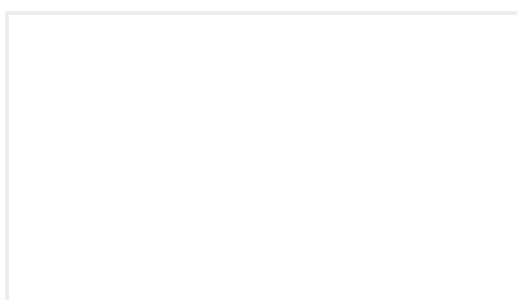
TE Part #3-353294-2
AMP MINI D/R HDR HSG 32P NATU



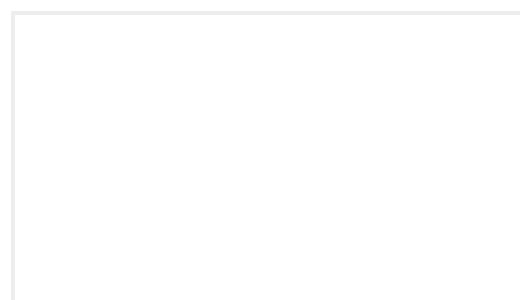
TE Part #3-353293-5
1.5MM CT MT REC ASSY 15P BLACK



TE Part #2-353293-9
1.5MM CT MT REC ASS'Y 9P BLACK



TE Part #8-292112-3
MT REC ASSY (#26,28)



TE Part #8-292112-2
MT REC ASSY (#26,28)

Documents

Product Drawings

[CT RELAY HDR ASSY 11P NAT](#)

English

CAD Files

[3D PDF](#)

3D

[Customer View Model](#)

[ENG_CVM_CVM_1-292254-1_D.2d_dxf.zip](#)



English

Customer View Model

[ENG_CVM_CVM_1-292254-1_D.3d_igs.zip](#)

English

Customer View Model

[ENG_CVM_CVM_1-292254-1_D.3d_stp.zip](#)

English

By downloading the CAD file I accept and agree to the [Terms and Conditions](#) of use.

Product Specifications

AMP COMMON TERMINATION (CT), CONNECTOR, 2mm PITCH, M/T TYPE, LEAD FREE VERSION

Japanese

[Product Specification](#)

Japanese