



SL-156

TE Internal #: 1-770894-0

Housing, Receptacle, Wire-to-Board, 10 Position, 3.96 mm [.156 in]  
Centerline, Crimp, 1 Row, Natural, Mating Retention, Wire & Cable,  
SL-156

[View on TE.com >](#)

Connectors > PCB Connectors > Wire-to-Board Connectors > Wire-to-Board Connector Assemblies & Housings >

Receptacle Housing: Wire-to-Board, with Mating Alignment, SL156



Connector Product Type: **Housing**

Connector & Housing Type: **Receptacle**

Connector System: **Wire-to-Board**

Number of Positions: **10**

Centerline (Pitch): **3.96 mm [.156 in]**

[All Receptacle Housing: Wire-to-Board, with Mating Alignment, SL156 \(107\)](#)

**Features**

**Dimensions**

	1.56 in
Connector Height	6.35 mm
Wire Size	30 – 18 AWG

**Product Type Features**

Connector Product Type	Housing
Connector & Housing Type	Receptacle
Connector System	Wire-to-Board
Sealable	No
Connector & Contact Terminates To	Wire & Cable

**Configuration Features**

Number of Positions	10
Number of Rows	1



### Housing Features

Centerline (Pitch)	3.96 mm [.156 in]
Housing Material	Nylon - GF

### Termination Features

Termination Method to Wire & Cable	Crimp
------------------------------------	-------

### Body Features

Primary Product Color	Natural
-----------------------	---------

### Mechanical Attachment

Mating Retention	With
Connector Mounting Type	Cable Mount (Free-Hanging)
Strain Relief	Without
Locking Latch Between Cavity Number	1 and 2, 9 and 10
Panel Mount Feature	Without
PCB Mount Retention Type	Board Latch
Mating Retention Type	Latch
PCB Mount Alignment	Without
PCB Mount Retention	With

### Contact Features

Contact Current Rating (Max)	6.5 A
Contact Layout	Inline
Contact Retention Within Housing	Without
Contact Type	Socket

### Operation/Application

Circuit Application	Power & Signal
---------------------	----------------

### Usage Conditions

Operating Temperature Range	-55 – 105 °C [-67 – 221 °F]
-----------------------------	-----------------------------

### Other

EU RoHS Compliance	Compliant
EU ELV Compliance	Compliant

### Electrical Characteristics

Operating Voltage	250 VAC
-------------------	---------



### Industry Standards

Compatible With Agency/Standards Products	UL, CSA
UL Flammability Rating	UL 94V-2

### Packaging Features

Packaging Method	Package
Packaging Quantity	1

### Product Compliance

[For compliance documentation, visit the product page on TE.com>](#)

EU RoHS Directive 2011/65/EU	Compliant
EU ELV Directive 2000/53/EC	Compliant
China RoHS 2 Directive MIIT Order No 32, 2016	No Restricted Materials Above Threshold
EU REACH Regulation (EC) No. 1907/2006	Current ECHA Candidate List: JUNE 2024 (241) Candidate List Declared Against: JUNE 2024 (241) Does not contain REACH SVHC
Halogen Content	Low Halogen - Br, Cl, F, I < 900 ppm per homogenous material. Also BFR/CFR/PVC Free
Solder Process Capability	Not applicable for solder process capability

#### Product Compliance Disclaimer

This information is provided based on reasonable inquiry of our suppliers and represents our current actual knowledge based on the information they provided. This information is subject to change. The part numbers that TE has identified as EU RoHS compliant have a maximum concentration of 0.1% by weight in homogenous materials for lead, hexavalent chromium, mercury, PBB, PBDE, DBP, BBP, DEHP, DIBP, and 0.01% for cadmium, or qualify for an exemption to these limits as defined in the Annexes of Directive 2011/65/EU (RoHS2). Finished electrical and electronic equipment products will be CE marked as required by Directive 2011/65/EU. Components may not be CE marked. Additionally, the part numbers that TE has identified as EU ELV compliant have a maximum concentration of 0.1% by weight in homogenous materials for lead, hexavalent chromium, and mercury, and 0.01% for cadmium, or qualify for an exemption to these limits as defined in the Annexes of Directive 2000/53/EC (ELV). Regarding the REACH Regulation, the information TE provides on SVHC in articles for this part number is based on the latest European Chemicals Agency (ECHA) 'Guidance on requirements for substances in articles' posted at this URL: <https://echa.europa.eu/guidance-documents/guidance-on-reach>

### Compatible Parts




TE Part # CAT-103156-WBHSM  
Receptacle Housing: Wire-to-Board, with Mating Alignment, SL156



TE Part # 1-640384-0  
10P MTA156 HDR ASSY STR RND SN



TE Part # 1-640387-0  
10P MTA156 HDR ASSY SQ R/A



TE Part # 1-640389-0  
10P MTA156 HDR ASSY SQ R/A F/L



TE Part # 1-640385-0  
10P MTA156 HDR ASSY SQ R/A



TE Part # 1-643067-0  
10P MTA156 MOLDED COVER



TE Part # 1-640388-0  
10P MTA156 HDR ASSY RN STR F/L



TE Part # 4-641208-0  
10P MTA156 HDR ASSY FL ST LF



TE Part # 1-640383-0  
10P MTA156 HDR ASSY STR SQ SN



TE Part # 4-644759-0  
10P MTA156 HDR ASSY STR LF



TE Part # 1-640445-0  
10P MTA156 HDR ASSY FL/STR SN



TE Part # 640254-1  
KEYING PLUG .045 SQ PST CONN



TE Part # 4-644615-0  
10P MTA156 POL LOCK ASSY LF



TE Part # 1-643071-0  
10P MTA156 FD-THRU COVER



TE Part # 3-647123-0  
10P MTA156 SHRD HDR ASSY SQ SN



TE Part # 4-641119-0  
10P MTA156 HDR ASSY FL/ST LF



TE Part # 1-640551-0  
10P MTA156 COVER



TE Part # 4-641210-0  
10P MTA156 HDR FLRA FB 30AU LF



TE Part # 1-644752-0  
10P MTA156 HDR ASSY SQ STR F/L

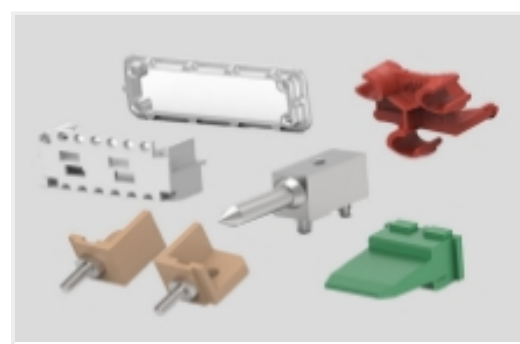


TE Part # 4-641121-0  
10P MTA156 HDR ASSY FL/RA LF

Also in the Series | [SL-156](#)



Connector Contacts(23)



Connector Hardware(4)



Insertion & Extraction Tools(1)



Rectangular Connector Housings(10)



Wire-to-Board Connector Assemblies & Housings(140)

## Customers Also Bought



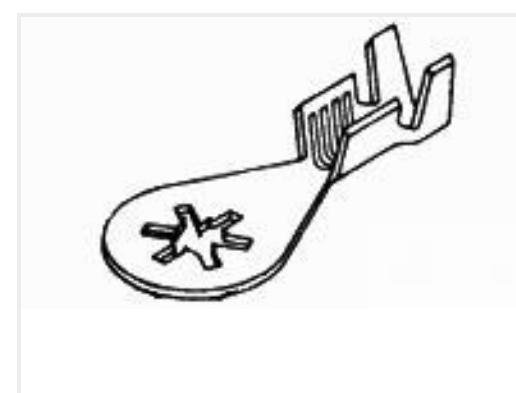
TE Part #5-1971875-7  
POWER TRIPLE LOCK High Temperature Caps



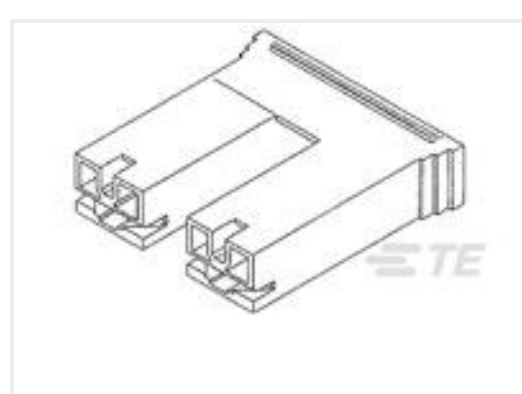
TE Part #5-1971876-7  
High Temperature Plug — POWER TRIPLE LOCK



TE Part #521368-2  
ULTRA POD: Straight, Receptacle Assembly, Tin Plated, 0.25 inch



TE Part #640204-1  
RING .164 (4.17 MM) 22-18 AWG TPST



TE Part #1-520935-5  
PL 250 HOUSING REC BLUE 6/6 NYLON V2

## Documents

### Product Drawings

10P SL156 HSG W/THRU BD LATCH

English

### CAD Files

3D PDF

3D

Customer View Model

ENG\_CVM\_CVM\_1-770894-0\_H\_c-1-770894-0-h.2d\_dxf.zip



English

**Customer View Model**

[ENG\\_CVM\\_CVM\\_1-770894-0\\_H\\_c-1-770894-0-h.3d\\_igs.zip](#)

English

**Customer View Model**

[ENG\\_CVM\\_CVM\\_1-770894-0\\_H\\_c-1-770894-0-h.3d\\_stp.zip](#)

English

By downloading the CAD file I accept and agree to the [Terms and Conditions](#) of use.

---

### Product Specifications

[Application Specification](#)

Japanese

[Application Specification](#)

English

[MTA 156 Ribbon Cable Connector Assemblies \(English And Spanish\)](#)

English

[MTA 156 Ribbon Cable Connector Assemblies \(English And Spanish\)](#)

Japanese

[Application Specification](#)

English

---

### Agency Approvals

[UL Report](#)

English