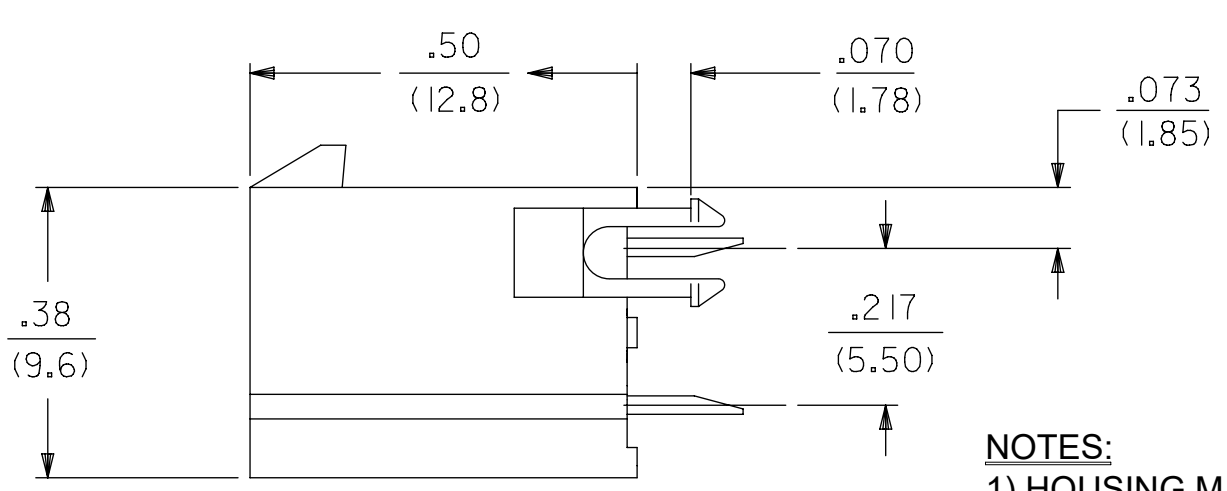
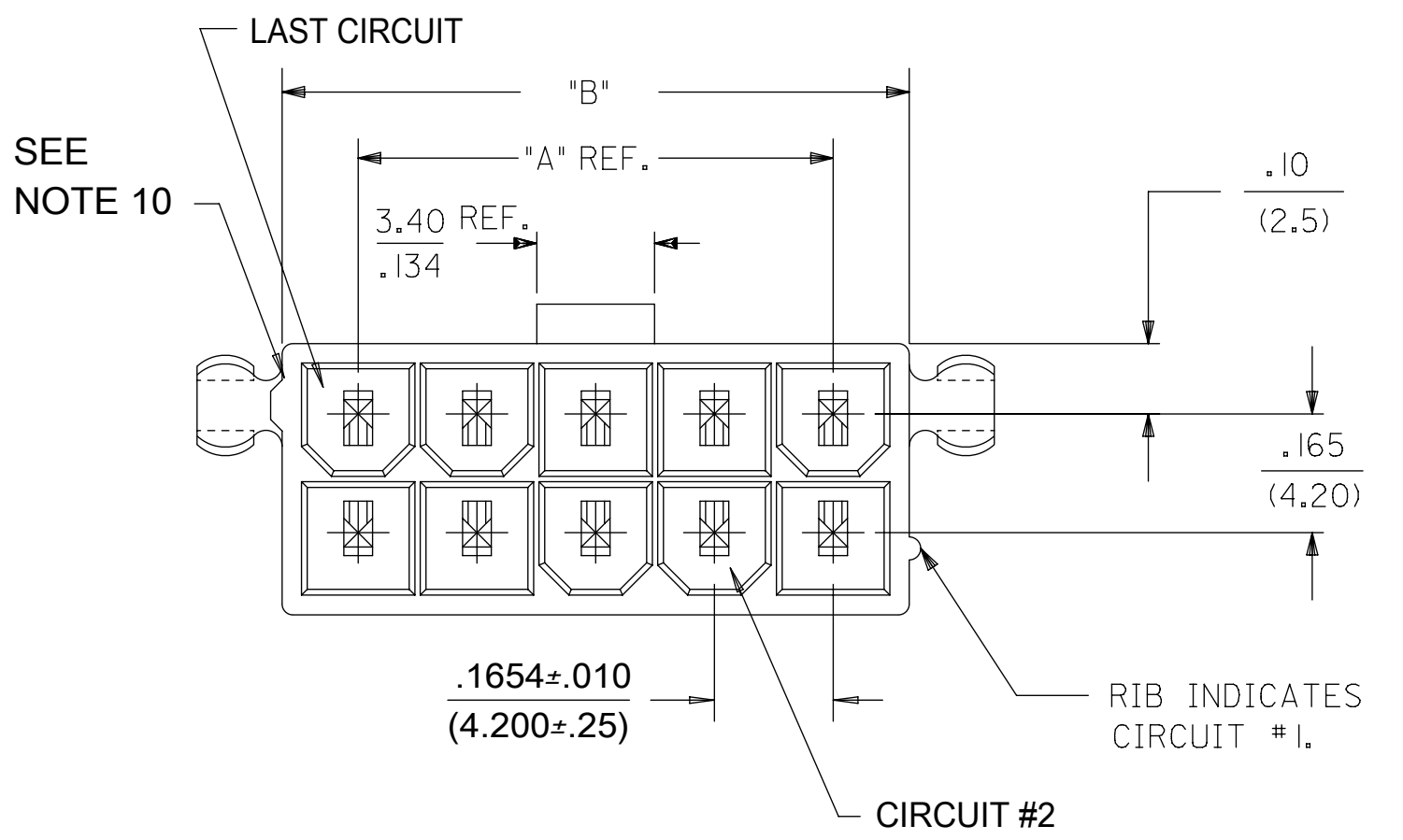
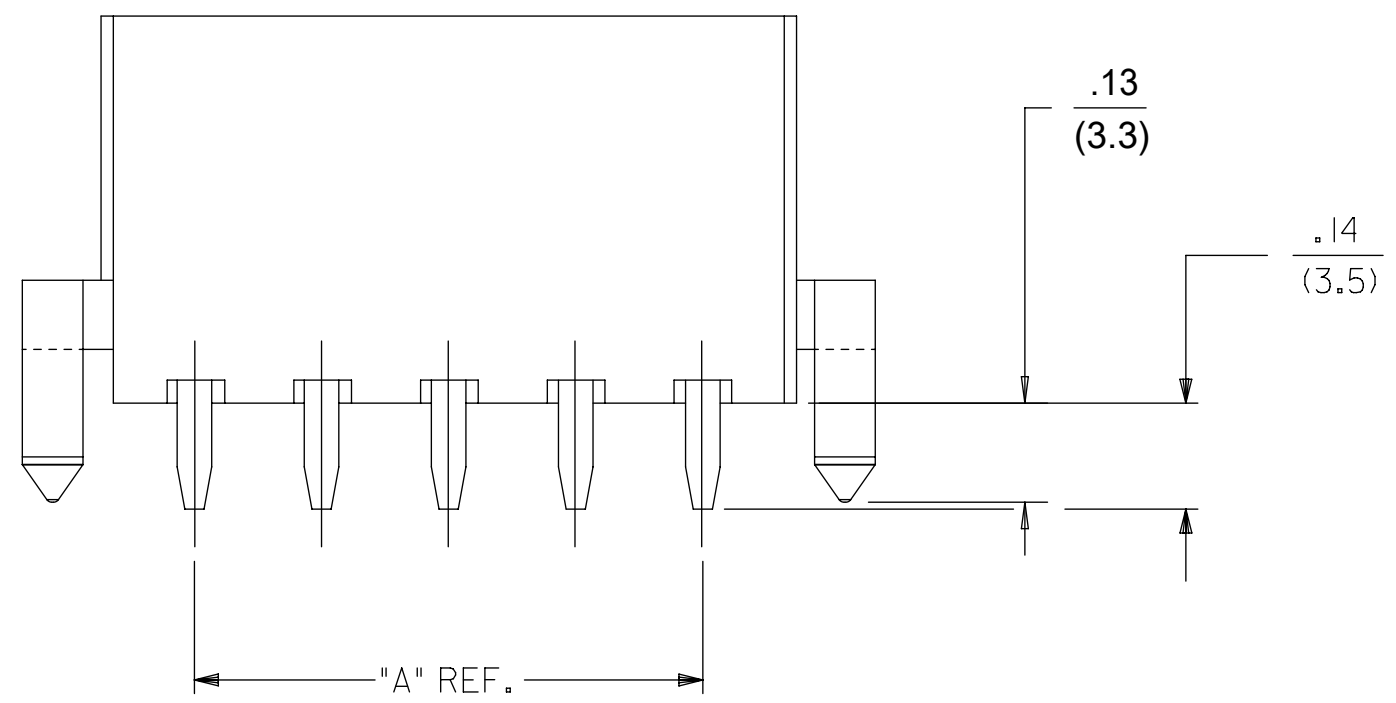


CIRCUIT SIZE	DIM. "A"	DIM. "B"	DIM. "C"
2	—	$\frac{.21}{(5.4)}$	$\frac{.370}{(9.40)}$
4	$\frac{.17}{(4.2)}$	$\frac{.38}{(9.6)}$	$\frac{.535}{(13.60)}$
6	$\frac{.33}{(8.4)}$	$\frac{.54}{(13.8)}$	$\frac{.701}{(17.80)}$
8	$\frac{.50}{(12.6)}$	$\frac{.71}{(18.0)}$	$\frac{.866}{(22.00)}$
10	$\frac{.66}{(16.8)}$	$\frac{.87}{(22.2)}$	$\frac{1.031}{(26.20)}$
12	$\frac{.83}{(21.0)}$	$\frac{1.04}{(26.4)}$	$\frac{1.197}{(30.40)}$
14	$\frac{.99}{(25.2)}$	$\frac{1.20}{(30.6)}$	$\frac{1.362}{(34.60)}$
16	$\frac{1.16}{(29.4)}$	$\frac{1.37}{(34.8)}$	$\frac{1.528}{(38.80)}$
18	$\frac{1.32}{(33.6)}$	$\frac{1.54}{(39.0)}$	$\frac{1.693}{(43.00)}$
20	$\frac{1.49}{(37.8)}$	$\frac{1.70}{(43.2)}$	$\frac{1.858}{(47.20)}$
22	$\frac{1.65}{(42.0)}$	$\frac{1.87}{(47.4)}$	$\frac{2.024}{(51.40)}$
24	$\frac{1.82}{(46.2)}$	$\frac{2.03}{(51.6)}$	$\frac{2.189}{(55.60)}$



- NOTES:
- HOUSING MATERIAL:  
GW V-2 = NYLON UL94V-2, COLOR: BLACK  
IEC 60335-1 5TH EDITION GLOW WIRE CAPABLE  
GW V-0 = NYLON UL94V-0, COLOR: BLACK  
IEC 60335-1 5TH EDITION GLOW WIRE CAPABLE  
TERMINAL MATERIAL: COPPER ALLOY.
  - TERMINAL PLATING:  
TIN = .000100/(.00254) MIN. MATTE TIN OVER .000050/(.00127) MIN. NICKEL OVERALL  
GOLD = .000030/(.00080) MIN. SELECT GOLD, .000100/(.00254) MIN. MATTE TIN OVER .000050/(.00127) MIN. NICKEL OVERALL
  - PRODUCT SPECIFICATION: PS-45750-001.
  - PACKAGING SPECIFICATION: PK-5566-001.
  - PART MATES WITH MINI-FIT JR. RECEPTACLE NO. 46992
  - PART IS NOT TO MATED OR UN-MATED WHILE CIRCUITS ARE LIVE.
  - PARTS TO HAVE "HCS+" MARKING.
  - PART CONFORMS TO CLASS B OF COSMETIC SPECIFICATION PS-45499-002 WITH THE EXCEPTION OF DISCOLORATION, FLASH, AND SINK MEET CLASS "C" REQUIREMENTS.
  - PART IS NOT DESIGNED FOR CURRENT SHARING.
  - ANTI-SHINGLING RIB MAY OR MAY NOT APPEAR ON HOUSINGS.
  - LOCATION OF .118/3.00 DIAMETER HOLES ON P.C. BOARD IS FOR OPTIONAL PEGS.



THIS DRAWING CONTAINS INFORMATION THAT IS PROPRIETARY TO MOLEX ELECTRONIC TECHNOLOGIES, LLC AND SHOULD NOT BE USED WITHOUT WRITTEN PERMISSION

DIMENSION UNITS	SCALE	CURRENT REV DESC:	<b>molex</b>		
IN/MM	NTS				
GENERAL TOLERANCES (UNLESS SPECIFIED)			VERTICAL HEADER ASSEMBLY DUAL ROW GLOW WIRE MINI-FIT PLUS HCS SERIES		
	MM	INCH	PRODUCT CUSTOMER DRAWING		
4 PLACES	±	±	DOCUMENT NUMBER		
3 PLACES	±	±	DOC TYPE   DOC PART   REVISION		
2 PLACES	± 0.25	±	SD-172675-0000		
1 PLACE	± 0.5	±	PSD 000 A2		
0 PLACES	±	±	MATERIAL NUMBER   CUSTOMER		
ANGULAR TOL	± 0.5 °		SEE CHART   GENERAL MARKET		
DRAFT WHERE APPLICABLE MUST REMAIN WITHIN DIMENSIONS			SHEET NUMBER		
THIRD ANGLE PROJECTION			1 OF 2		
DRAWING SERIES			C-SIZE 172675		

EC NO: 803320  
DRWN: JERRYW8 2024/07/30  
CHK'D: XQZHANG 2024/11/13  
APPR: XQZHANG 2024/11/13

INITIAL REVISION:  
DRWN: JDFOX 2014/05/15  
APPR: FSMITH 2014/06/23

DOCUMENT NUMBER: SD-172675-0000  
DOC TYPE: PSD  
DOC PART: 000  
REVISION: A2

MATERIAL NUMBER: SEE CHART  
CUSTOMER: GENERAL MARKET

SHEET NUMBER: 1 OF 2

ITEM NO.	CKT SIZE	HOUSING MATERIAL	PEGS	PLATING
172675-0213	2	GW V-2	YES	TIN
172675-0214		GW V-2	YES	GOLD
172675-0413	4	GW V-2	YES	TIN
172675-0414		GW V-2	YES	GOLD
172675-0613	6	GW V-2	YES	TIN
172675-0614		GW V-2	YES	GOLD
172675-0813	8	GW V-2	YES	TIN
172675-0814		GW V-2	YES	GOLD
172675-1013	10	GW V-2	YES	TIN
172675-1014		GW V-2	YES	GOLD
172675-1213	12	GW V-2	YES	TIN
172675-1214		GW V-2	YES	GOLD

ITEM NO.	CKT SIZE	HOUSING MATERIAL	PEGS	PLATING
172675-0215	2	GW V-2	NO	TIN
172675-0216		GW V-2	NO	GOLD
172675-0415	4	GW V-2	NO	TIN
172675-0416		GW V-2	NO	GOLD
172675-0615	6	GW V-2	NO	TIN
172675-0616		GW V-2	NO	GOLD
172675-0815	8	GW V-2	NO	TIN
172675-0816		GW V-2	NO	GOLD
172675-1015	10	GW V-2	NO	TIN
172675-1016		GW V-2	NO	GOLD
172675-1215	12	GW V-2	NO	TIN
172675-1216		GW V-2	NO	GOLD

ITEM NO.	CKT SIZE	HOUSING MATERIAL	PEGS	PLATING
172675-0617	6	GW V-0	NO	TIN

THIS DRAWING CONTAINS INFORMATION THAT IS PROPRIETARY TO MOLEX ELECTRONIC TECHNOLOGIES, LLC AND SHOULD NOT BE USED WITHOUT WRITTEN PERMISSION													
DIMENSION UNITS		SCALE		CURRENT REV DESC:				<b>molex</b>					
IN/MM		NTS											
GENERAL TOLERANCES (UNLESS SPECIFIED)				EC NO: 803320 DRWN: JERRYW8 2024/07/30 CHK'D: XQZHANG 2024/11/13 APPR: XQZHANG 2024/11/13 INITIAL REVISION: DRWN: JDFOX 2014/05/15 APPR: FSMITH 2014/06/23				DOCUMENT NUMBER		DOC TYPE	DOC PART	REVISION	
		MM	INCH					SD-172675-0000		PSD	000	A2	
4 PLACES	±		±										
3 PLACES	±		±										
2 PLACES	±	0.25	±										
1 PLACE	±	0.5	±										
0 PLACES	±		±										
ANGULAR TOL		± 0.5 °		THIRD ANGLE PROJECTION		DRAWING	SERIES	MATERIAL NUMBER	CUSTOMER	SHEET NUMBER			
DRAFT WHERE APPLICABLE MUST REMAIN WITHIN DIMENSIONS						C-SIZE	172675	SEE CHART	GENERAL MARKET	2 OF 2			

DOCUMENT STATUS	P1	RELEASE DATE	2024/11/13	04:57:31
-----------------	----	--------------	------------	----------