

175023-1 ✓ ACTIVE

Positive Lock | Positive Lock 250

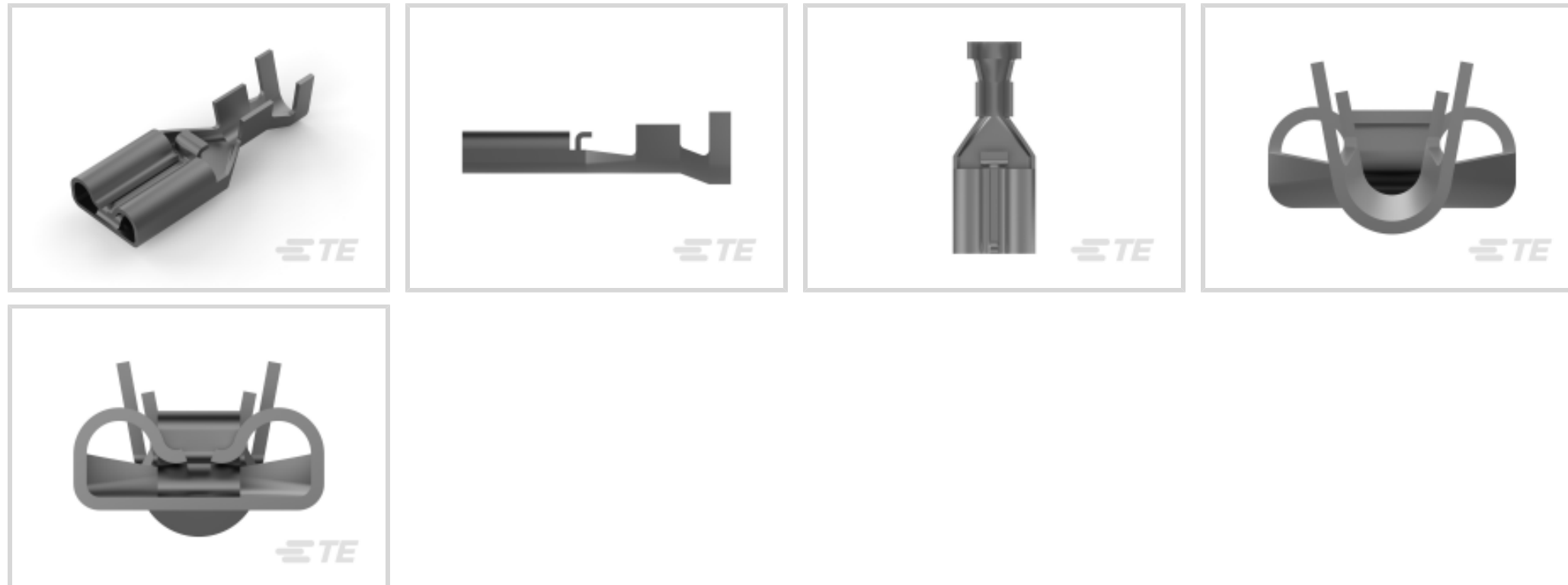
TE Internal #: 175023-1

Receptacle, 18 – 14 AWG Wire Size, .82 – 2.08 mm<sup>2</sup> Wire Size,  
Mating Tab Width 6.35 mm [.25 in], Straight, Brass, Positive Lock  
250, Quick Disconnects

[View on TE.com >](#)



Terminals & Splices > Quick Disconnects



Quick Disconnect Terminal Type: **Receptacle**

Wire Size: **.82 – 2.08 mm<sup>2</sup>**

Mating Tab Width: **6.35 mm [.25 in]**

Mating Tab Thickness: **.81 mm [.032 in]**

## Features

### Contact Features

Quick Disconnect Terminal Type	Receptacle
Mating Tab Width	6.35 mm [.25 in]
Mating Tab Thickness	.81 mm [.032 in]
Terminal Orientation	Straight
Contact Base Material	Brass
Terminal Plating Material	Pre-Tin
Crimp Type	F-Crimp
Barrel Type	Open

### Dimensions

Wire Size	.82 – 2.08 mm <sup>2</sup>
Product Length	21.2 mm [.834 in]
Compatible Insulation Diameter Range	2.21 – 3.4 mm [.087 – .134 in]
Terminal Material Thickness	.41 mm [.016 in]

### Packaging Features

Packaging Method	Loose Piece/Carton
------------------	--------------------



Packaging Quantity	1000
--------------------	------

### Product Type Features

Insertion Force	Low
-----------------	-----

### Usage Conditions

Insulation Option	Uninsulated
-------------------	-------------

Operating Temperature Range	-40 – 110 °C[-40 – 230 °F]
-----------------------------	----------------------------

### Other

EU RoHS Compliance	Compliant
--------------------	-----------

EU ELV Compliance	Compliant
-------------------	-----------

### Configuration Features

Compatible With Wire & Cable Type	Discrete Wire
-----------------------------------	---------------

Connection Capacity	Single
---------------------	--------

### Termination Features

Product Terminates To	Wire & Cable
-----------------------	--------------

### Mechanical Attachment

Wire Insulation Support	With
-------------------------	------

Mating Retention Type	Dimple
-----------------------	--------

Extraction Force	.7 – 10.2 kgf
------------------	---------------

### Industry Standards

Compatible With Agency/Standards Products	UL
---	----

### Product Compliance

[For compliance documentation, visit the product page on TE.com>](#)

EU RoHS Directive 2011/65/EU	Compliant
------------------------------	-----------

EU ELV Directive 2000/53/EC	Compliant
-----------------------------	-----------

China RoHS 2 Directive MIIT Order No 32, 2016	No Restricted Materials Above Threshold
---	---

EU REACH Regulation (EC) No. 1907/2006	Current ECHA Candidate List: JUNE 2024 (241) Candidate List Declared Against: JUNE 2024 (241) Does not contain REACH SVHC
--	---

Halogen Content	Low Halogen - Br, Cl, F, I < 900 ppm per homogenous material. Also BFR/CFR/PVC Free
-----------------	---

Solder Process Capability

Not applicable for solder process capability

Product Compliance Disclaimer

This information is provided based on reasonable inquiry of our suppliers and represents our current actual knowledge based on the information they provided. This information is subject to change. The part numbers that TE has identified as EU RoHS compliant have a maximum concentration of 0.1% by weight in homogenous materials for lead, hexavalent chromium, mercury, PBB, PBDE, DBP, BBP, DEHP, DIBP, and 0.01% for cadmium, or qualify for an exemption to these limits as defined in the Annexes of Directive 2011/65/EU (RoHS2). Finished electrical and electronic equipment products will be CE marked as required by Directive 2011/65/EU. Components may not be CE marked. Additionally, the part numbers that TE has identified as EU ELV compliant have a maximum concentration of 0.1% by weight in homogenous materials for lead, hexavalent chromium, and mercury, and 0.01% for cadmium, or qualify for an exemption to these limits as defined in the Annexes of Directive 2000/53/EC (ELV). Regarding the REACH Regulation, the information TE provides on SVHC in articles for this part number is based on the latest European Chemicals Agency (ECHA) 'Guidance on requirements for substances in articles' posted at this URL: <https://echa.europa.eu/guidance-documents/guidance-on-reach>

### Compatible Parts



TE Part # 2232343-1  
250 PL EX FLAG REC. 18-12AWG PTBR



TE Part # 2376579-2  
250 FASTON PCB TAB TPBR



TE Part # 2376591-2  
250 FASTON PCB TAB TPBR



TE Part # 2376595-2  
250 FASTON PCB TAB TPBR



TE Part # 175022-2  
250 POSITIVE REC EX MK-2



TE Part # 2232343-2  
250 PL EX FLAG REC. 18-12AWG PTBR FLAT



TE Part # 2376582-2  
250 FASTON PCB TAB TPBR

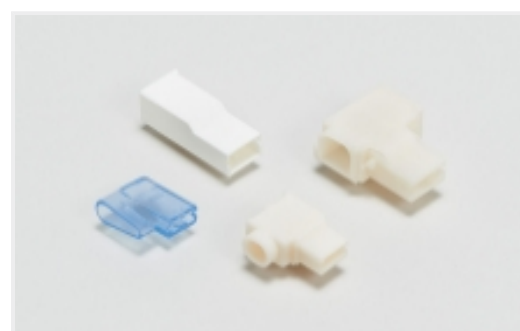


TE Part # 234619-1  
DAHT P L EX & EX II 18-14 ASSY

### Also in the Series | Positive Lock 250



Automotive Terminals(1)



Crimp Terminal Housings(190)



Insertion & Extraction Tools(3)

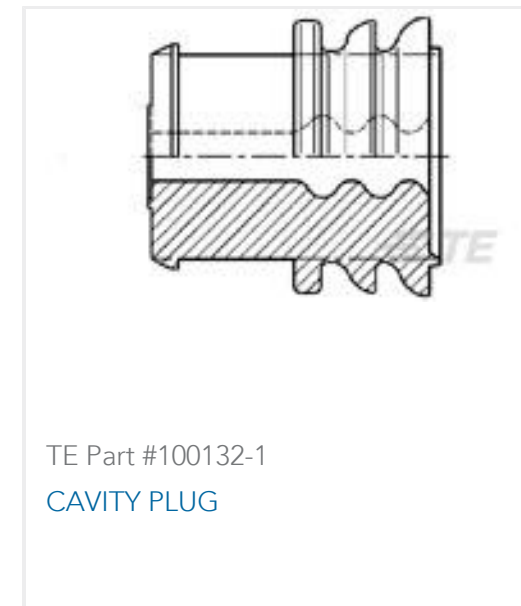


Insulation Boots & Sleeves(4)



Quick Disconnects(185)

## Customers Also Bought

TE Part #353718-2  
DYNAMIC D-3 TAB CONT. 3L AU 0.38 L/PTE Part #170038-2  
187 FASTON, REC., 20-16 AWG, TPBR L/PTE Part #60620-1  
CMNL PIN 20-14 TPBR L/PTE Part #100132-1  
CAVITY PLUGTE Part #2391865-1  
POSITIVE LOCK 250 (6.3 MM) SLEEVETE Part #1-2112041-1  
26POS, MIXED, TAB HSG, ASSY, SEALEDTE Part #1394277-1  
SCHUTZKAPPE F4+7PTE Part #1-964294-3  
TAB A 2.8x0.8 CONTACT CS SRC AuTE Part #172495-1  
MIC MK-II PLUG HSG 7P NATURALTE Part #174983-7  
8 POS DL PLATE FOR PLUG MKII+

## Documents

### Product Drawings

[PL 250 RECEPTACLE 18-14 AWG PTBR](#)

English

### CAD Files

[3D PDF](#)

3D

[Customer View Model](#)

[ENG\\_CVM\\_CVM\\_175023-1\\_O.2d\\_dxf.zip](#)



English

**Customer View Model**

[ENG\\_CVM\\_CVM\\_175023-1\\_O.3d\\_igs.zip](#)

English

**Customer View Model**

[ENG\\_CVM\\_CVM\\_175023-1\\_O.3d\\_stp.zip](#)

English

By downloading the CAD file I accept and agree to the [Terms and Conditions](#) of use.

---

**Product Specifications**

[Application Specification](#)

English

---

**Instruction Sheets**

[Instruction Sheet \(non U.S.\)](#)

English

[POSITIVE LOCK EX CONTACT](#)

English