

1586042-4 ✓ ACTIVE



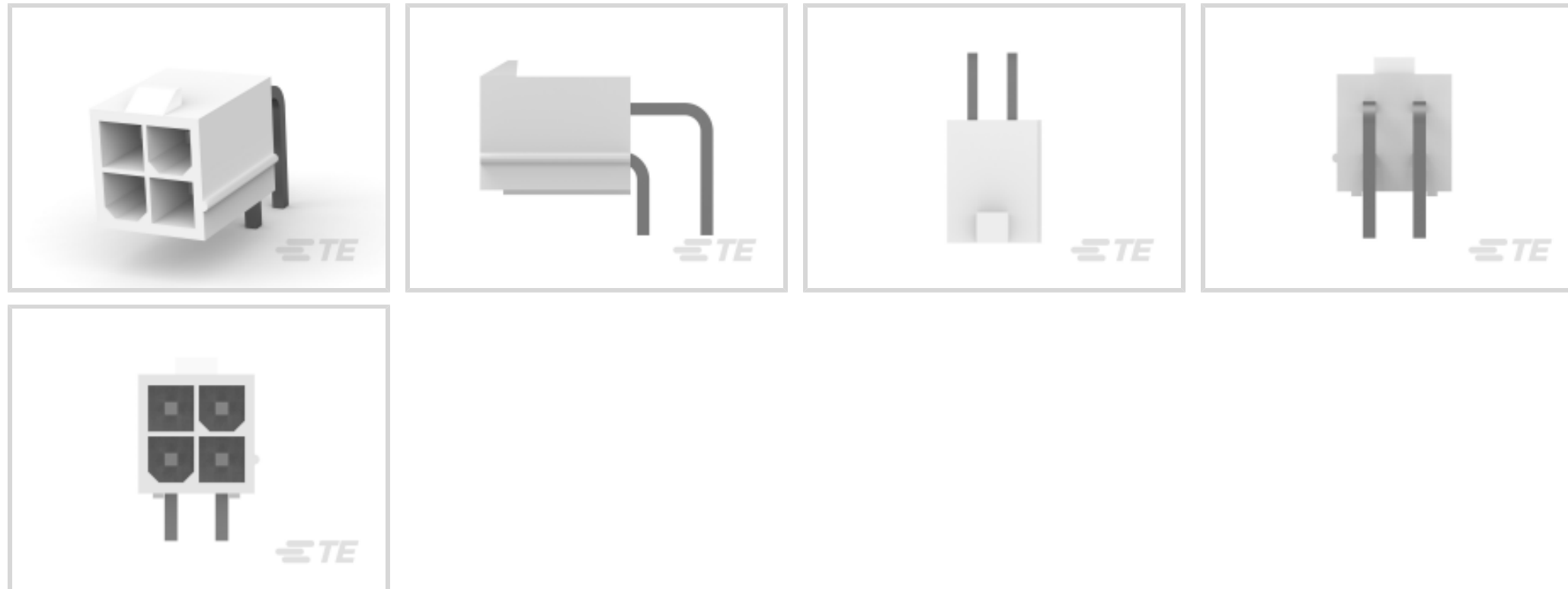
## VAL-U-LOK

TE Internal #: 1586042-4

PCB Mount Header, Right Angle, Wire-to-Board, 4 Position, 4.2 mm  
[.165 in] Centerline, Fully Shrouded, Tin, Through Hole - Solder,  
Power, Natural

[View on TE.com >](#)

Connectors > PCB Connectors > PCB Headers & Receptacles



EU RoHS Compliance: **Compliant**

EU ELV Compliance: **Compliant**

PCB Connector Assembly Type: **PCB Mount Header**

PCB Mount Orientation: **Right Angle**

Connector System: **Wire-to-Board**

### Features

#### Other

EU RoHS Compliance	Compliant
EU ELV Compliance	Compliant

#### Product Type Features

Connector Shape	Rectangular
PCB Connector Assembly Type	PCB Mount Header
Connector System	Wire-to-Board
Header Type	Fully Shrouded
Sealable	No
Connector & Contact Terminates To	Printed Circuit Board

#### Configuration Features

Number of Loaded Positions	4
Number of Power Positions	4
PCB Mount Orientation	Right Angle
Number of Positions	4



Number of Rows	2
----------------	---

### Electrical Characteristics

Operating Voltage	600 VAC
-------------------	---------

### Body Features

Primary Product Color	Natural
-----------------------	---------

### Contact Features

Contact Underplating Material	Nickel
-------------------------------	--------

Contact Underplating Material Thickness	.762 $\mu$ m[30 $\mu$ in]
---	---------------------------

Contact Mating Area Plating Material Thickness	2.03 $\mu$ m[80 $\mu$ in]
--	---------------------------

PCB Contact Termination Area Plating Material Thickness	2.03 $\mu$ m[80 $\mu$ in]
---	---------------------------

Contact Layout	Matrix
----------------	--------

Contact Base Material	Brass Alloy
-----------------------	-------------

PCB Contact Termination Area Plating Material	Tin
---	-----

Contact Mating Area Plating Material	Tin
--------------------------------------	-----

Contact Type	Tab
--------------	-----

Contact Current Rating (Max)	9 A
------------------------------	-----

### Termination Features

Termination Post & Tail Length	3.6 mm[.141 in]
--------------------------------	-----------------

Termination Method to PCB	Through Hole - Solder
---------------------------	-----------------------

### Mechanical Attachment

Mating Retention Type	Locking Tab
-----------------------	-------------

Mating Retention	With
------------------	------

Mating Alignment Type	Keyed
-----------------------	-------

PCB Mount Retention	Without
---------------------	---------

PCB Mount Alignment	Without
---------------------	---------

Connector Mounting Type	Board Mount
-------------------------	-------------

Mating Alignment	With
------------------	------

### Housing Features

Housing Material	Nylon 66
------------------	----------

Centerline (Pitch)	4.2 mm[.165 in]
--------------------	-----------------

### Dimensions

Row-to-Row Spacing	4.2 mm[.165 in]
--------------------	-----------------



Connector Width	13 mm[.51 in]
-----------------	---------------

PCB Thickness (Recommended)	1.6 mm[.063 in]
-----------------------------	-----------------

Connector Height	9.8 mm[.386 in]
------------------	-----------------

Connector Length	9.6 mm[.378 in]
------------------	-----------------

### Usage Conditions

Operating Temperature (Max)	105 °C[221 °F]
-----------------------------	----------------

Operating Temperature Range	-40 – 105 °C[-40 – 221 °F]
-----------------------------	----------------------------

### Operation/Application

Circuit Application	Power
---------------------	-------

### Industry Standards

Compatible With Agency/Standards Products	UL, CSA
---	---------

UL Rating	Recognized
-----------	------------

Compatible With Approved Standards Products	UL E28476
---	-----------

Glow Wire Rating	Standard Part - Not Glow Wire
------------------	-------------------------------

UL Flammability Rating	UL 94V-0
------------------------	----------

### Packaging Features

Packaging Quantity	400
--------------------	-----

Packaging Method	Tray
------------------	------

### Product Compliance

[For compliance documentation, visit the product page on TE.com>](#)

EU RoHS Directive 2011/65/EU	Compliant
------------------------------	-----------

EU ELV Directive 2000/53/EC	Compliant
-----------------------------	-----------

China RoHS 2 Directive MIIT Order No 32, 2016	No Restricted Materials Above Threshold
---	---

EU REACH Regulation (EC) No. 1907/2006	Current ECHA Candidate List: JUNE 2024 (241) Candidate List Declared Against: JUNE 2024 (241) Does not contain REACH SVHC
--	---

Halogen Content	Low Halogen - Br, Cl, F, I < 900 ppm per homogenous material. Also BFR/CFR/PVC Free
-----------------	---

Solder Process Capability	Wave solder capable to 265°C
---------------------------	------------------------------

Product Compliance Disclaimer

This information is provided based on reasonable inquiry of our suppliers and represents our current actual knowledge based on the information they provided. This information is subject to change. The part numbers that TE has identified as EU RoHS compliant have a maximum concentration of 0.1% by weight in homogenous materials for lead, hexavalent chromium, mercury, PBB, PBDE, DBP, BBP, DEHP, DIBP, and 0.01% for cadmium, or qualify for an exemption to these limits as defined in the Annexes of Directive 2011/65/EU (RoHS2). Finished electrical and electronic equipment products will be CE marked as required by Directive 2011/65/EU. Components may not be CE marked. Additionally, the part numbers that TE has identified as EU ELV compliant have a maximum concentration of 0.1% by weight in homogenous materials for lead, hexavalent chromium, and mercury, and 0.01% for cadmium, or qualify for an exemption to these limits as defined in the Annexes of Directive 2000/53/EC (ELV). Regarding the REACH Regulation, the information TE provides on SVHC in articles for this part number is based on the latest European Chemicals Agency (ECHA) 'Guidance on requirements for substances in articles' posted at this URL: <https://echa.europa.eu/guidance-documents/guidance-on-reach>

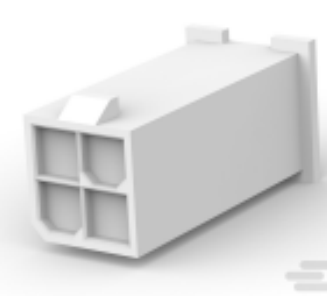
## Compatible Parts



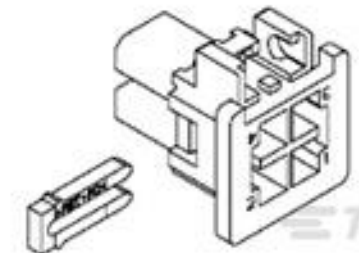
TE Part # 1586019-4  
4P RCPT VAL-U-LOK V0



TE Part # 1969613-4  
4P PM PLUG VAL-U-LOK V0

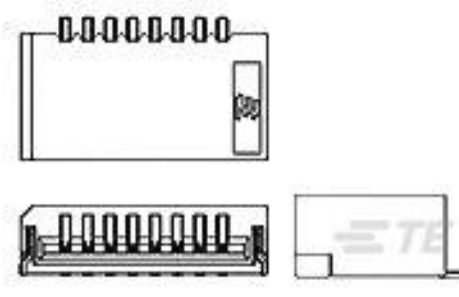


TE Part # 1969612-4  
4P FH PLUG VAL-U-LOK V0



TE Part # 794318-1  
AMP DUAC/PL 04P KIT BULK PKG

## Customers Also Bought



TE Part #84981-5  
1MM FFC SMT H ASSY 5P EMBOSS



TE Part #1376385-1  
5mm B-T-W Conn. 6P HDR ASSEMBL



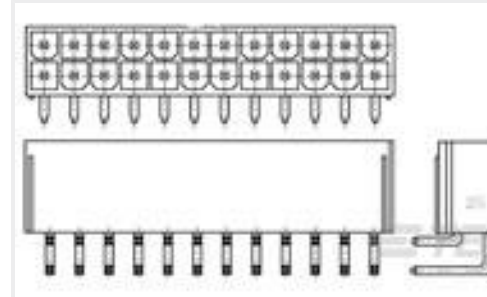
TE Part #1586162-1  
03P UMNL PIN HDR 94VO NDH



TE Part #1971846-2  
2P, RAST 5 Tab Header, THV



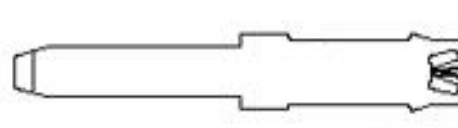
TE Part #1601097-3  
TAB,2.79X0.81,STD,SMZ



TE Part #1586042-6  
6P VAL-U-LOK R/A HDR V0



TE Part #1586163-1  
04P UMML PIN HDR 94VO NDH



TE Part #1601194-2  
.110X.032 TAB STD SIAMEZE



TE Part #1969498-1  
ASSY, TAB HDR, 7MM, 6.35 SERIES, 2  
POS

## Documents

### Product Drawings

[4P VAL-U-LOK R/A HDR V0](#)

English

### CAD Files

Customer View Model

[ENG\\_CVM\\_1586042-4\\_B.3d\\_igs.zip](#)

English

Customer View Model

[ENG\\_CVM\\_1586042-4\\_B.3d\\_stp.zip](#)

English

Customer View Model

[ENG\\_CVM\\_1586042-4\\_B.2d\\_dxf.zip](#)

English

[3D PDF](#)

English

By downloading the CAD file I accept and agree to the [Terms and Conditions](#) of use.

### Datasheets & Catalog Pages

[SOFT\\_SHELL\\_PIN\\_AND\\_SOCKET\\_CONNECTORS\\_CATALOG](#)

English

### Product Specifications

[Application Specification](#)

English

### Agency Approvals

[UL Report](#)

English