

172130-2 ✓ ACTIVE

FASTIN-FASTON | FASTIN-FASTON 250

TE Internal #: 172130-2

Receptacle, Receptacle, 2 Position, Straight, Black, Nylon, Contact Mating Retention, Mating Alignment, FASTIN-FASTON 250, Crimp Terminal Housings

[View on TE.com >](#)



Terminals & Splices > Terminal Housings, Insulation Sleeves & Blocks > Crimp Terminal Housings



Terminal Type: **Receptacle**

Connector & Housing Type: **Receptacle**

Number of Positions: **2**

Terminal Orientation: **Straight**

Primary Product Color: **Black**

Features

Contact Features

Terminal Type	Receptacle
Terminal Orientation	Straight
Contact Mating Retention	With

Product Type Features

Connector & Housing Type	Receptacle
Connector & Contact Terminates To	Wire & Cable
Sealable	No

Configuration Features

Number of Positions	2
---------------------	---

Body Features

Primary Product Color	Black
-----------------------	-------

Housing Features

Housing Material	Nylon
------------------	-------

Centerline (Pitch)	6 mm[.236 in]
--------------------	---------------

Mechanical Attachment

Mating Alignment	With
Connector Mounting Type	Cable Mount (Free-Hanging)
Mating Retention Type	Latch

Usage Conditions

Operating Temperature Range	-40 – 105 °C[-40 – 221 °F]
-----------------------------	----------------------------

Other

EU RoHS Compliance	Compliant
EU ELV Compliance	Compliant

Dimensions

Product Length	25 mm[.984 in]
----------------	----------------

Packaging Features

Packaging Quantity	100
--------------------	-----

Product Compliance

[For compliance documentation, visit the product page on TE.com>](#)

EU RoHS Directive 2011/65/EU	Compliant
EU ELV Directive 2000/53/EC	Compliant
China RoHS 2 Directive MIIT Order No 32, 2016	No Restricted Materials Above Threshold
EU REACH Regulation (EC) No. 1907/2006	Current ECHA Candidate List: JUNE 2024 (241) Candidate List Declared Against: JUNE 2024 (241) Does not contain REACH SVHC
Halogen Content	Low Halogen - Br, Cl, F, I < 900 ppm per homogenous material. Also BFR/CFR/PVC Free
Solder Process Capability	Not applicable for solder process capability

Product Compliance Disclaimer

This information is provided based on reasonable inquiry of our suppliers and represents our current actual knowledge based on the information they provided. This information is subject to change. The part numbers that TE has identified as EU RoHS compliant have a maximum concentration of 0.1% by weight in homogenous materials for lead, hexavalent chromium, mercury, PBB, PBDE, DBP, BBP, DEHP, DIBP, and 0.01% for cadmium, or qualify for an exemption to these limits as defined in the Annexes of Directive 2011/65/EU (RoHS2). Finished electrical and electronic equipment products will be CE marked as required by Directive 2011/65/EU. Components may not be CE marked. Additionally, the part numbers that TE has identified as EU ELV compliant have a maximum concentration of 0.1% by weight in homogenous materials for lead, hexavalent chromium, and mercury, and 0.01% for cadmium, or qualify for an exemption to these limits

as defined in the Annexes of Directive 2000/53/EC (ELV). Regarding the REACH Regulation, the information TE provides on SVHC in articles for this part number is based on the latest European Chemicals Agency (ECHA) 'Guidance on requirements for substances in articles' posted at this URL: <https://echa.europa.eu/guidance-documents/guidance-on-reach>

Compatible Parts



TE Part # 170258-2
FF 250 REC 14-12AWG TPBR REREELING



TE Part # 170258-1
FF 250 REC 14-12AWG BR REREELING



TE Part # 178024-7
FF 250 CAP HSG DBL 6P PLATE



TE Part # 175979-2
FF 187 PLUG HSG 8P NYLON BLACK



TE Part # 176986-2
FF 250 PLUG HSG 1P NYLON BLACK

Also in the Series | FASTIN-FASTON 250



Crimp Terminal Housings(207)



Insertion & Extraction Tools(2)

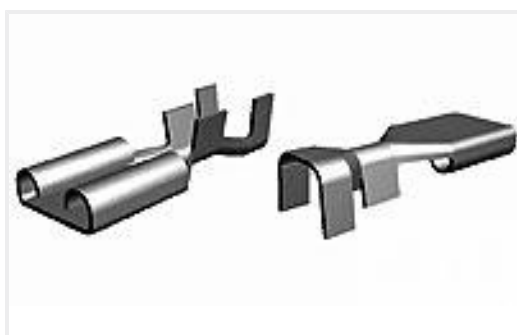


PCB Terminals(2)



Quick Disconnects(250)

Customers Also Bought



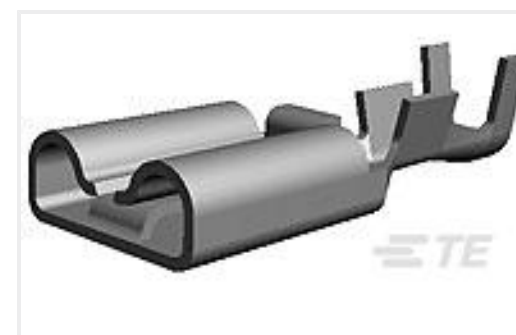
TE Part #62092-1
312 FASTON REC 18-14 AWG BR



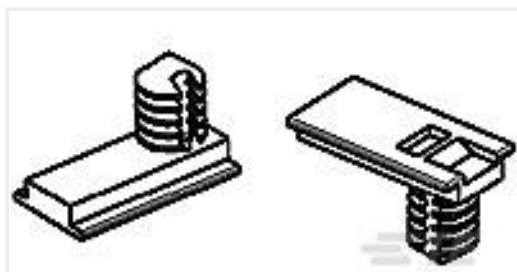
TE Part #170342-2
250 FASTON,REC.,20-14 AWG,TPBR



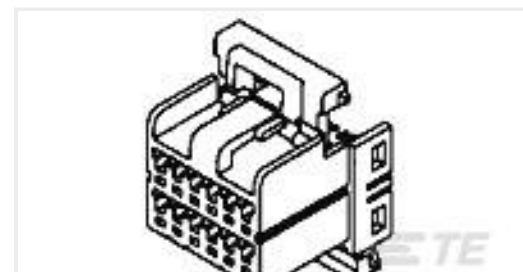
TE Part #170340-1
FF 250 TAB 20-14AWG BR WITHOUT LATCH



TE Part #175020-1
250 PL EX REC. 22-18AWG PTBR



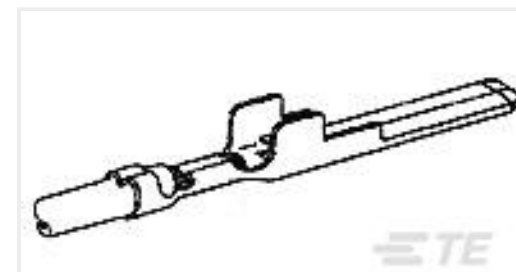
TE Part #626897-3
CHRISTMAS TREE



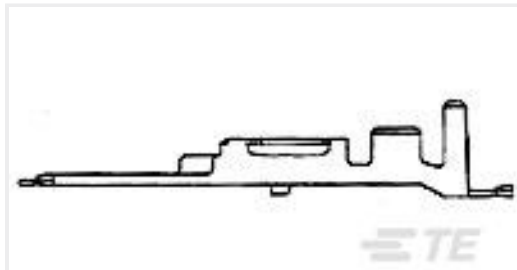
TE Part #174045-2
040 MULTILOCK PLUG 12P



TE Part #172096-1
MIC CAP 9P W-W W/F



TE Part #170221-1
.5-2.27MM MIC TAB CONT.



TE Part #172778-1
MIC MK-2 TAB LP



TE Part #2177799-1
2. LOCK,TE, IEC62196-2 TYPE 1,BK

Documents

Product Drawings

[FF 250 REC HSG 2P NYLON BLCBK](#)

English

CAD Files

Customer View Model

[ENG_CVM_CVM_172130-2_D.2d_dxf.zip](#)

English

[3D PDF](#)

3D

Customer View Model

[ENG_CVM_CVM_172130-2_D.3d_igs.zip](#)

English

Customer View Model

[ENG_CVM_CVM_172130-2_D.3d_stp.zip](#)

English

By downloading the CAD file I accept and agree to the [Terms and Conditions](#) of use.

Datasheets & Catalog Pages

[White Paper: Nylon Discoloration](#)

English

Product Specifications

[Application Specification](#)

English

Instruction Sheets

[Customer Manual \(non U.S.\)](#)



Japanese

["250" Series, Housing Lance Connector](#)

Japanese

[Agency Approvals](#)

[UL Report](#)

English