

5179029-5 ✓ ACTIVE



Free Height

TE Internal #: 5179029-5

PCB Mount Header, Vertical, Board-to-Board, 120 Position, .8 mm [.031 in] Centerline, Fully Shrouded, Gold, Surface Mount, Natural, Free Height

[View on TE.com >](#)

Connectors > PCB Connectors > PCB Headers & Receptacles



EU RoHS Compliance: **Compliant**

EU ELV Compliance: **Compliant**

PCB Connector Assembly Type: **PCB Mount Header**

PCB Mount Orientation: **Vertical**

Connector System: **Board-to-Board**

Features

Packaging Features

| | |
|--------------------|-----------|
| | .5 in |
| Packaging Quantity | 8 |
| Packaging Method | Tube, Box |

Contact Features

| | |
|---|--------------------------|
| | 8 μ m |
| PCB Contact Termination Area Plating Material Finish | Matte |
| Mating Tab Width | .4 mm[.016 in] |
| PCB Contact Termination Area Plating Material Thickness | 2 μ m[78.74 μ m] |
| Contact Layout | Inline |
| Contact Base Material | Brass |
| Mating Tab Thickness | .2 mm[.008 in] |
| PCB Contact Termination Area Plating Material | Tin |
| Contact Mating Area Plating Material Finish | Matte |
| Contact Mating Area Plating Material | Gold |
| Contact Type | Tab |
| Contact Current Rating (Max) | .5 A |

Other

| | |
|--------------------|-----------|
| EU RoHS Compliance | Compliant |
|--------------------|-----------|



| | |
|-------------------|-----------|
| EU ELV Compliance | Compliant |
|-------------------|-----------|

Product Type Features

| | |
|-----------------------------------|-----------------------|
| PCB Connector Assembly Type | PCB Mount Header |
| Connector System | Board-to-Board |
| Header Type | Fully Shrouded |
| Sealable | No |
| Connector & Contact Terminates To | Printed Circuit Board |

Configuration Features

| | |
|------------------------------|----------|
| Board-to-Board Configuration | Parallel |
| Stackable | Yes |
| PCB Mount Orientation | Vertical |
| Number of Positions | 120 |

Electrical Characteristics

| | |
|---------------------------------------|---------|
| Operating Voltage | 100 VAC |
| Insulation Resistance | 2 MΩ |
| Dielectric Withstanding Voltage (Max) | 500 VAC |

Body Features

| | |
|-----------------------|---------|
| Primary Product Color | Natural |
|-----------------------|---------|

Termination Features

| | |
|---|----------------|
| Rectangular Termination Post & Tail Width | .25 mm[.01 in] |
| Rectangular Termination Post & Tail Thickness | .2 mm[.008 in] |
| Termination Method to PCB | Surface Mount |

Mechanical Attachment

| | |
|-----------------------------------|--------------------|
| Mounting Alignment Feature Length | .5 mm[.02 in] |
| Mating Alignment Type | Polarized |
| PCB Mount Alignment Type | Positioning Bosses |
| PCB Mount Retention | Without |
| PCB Mount Alignment | With |
| Mating Alignment | With |

Housing Features

| | |
|-----------------------|---------------|
| Mating Entry Location | Top |
| Housing Material | Thermoplastic |



| | |
|--------------------|-----------------|
| Centerline (Pitch) | .8 mm [.031 in] |
|--------------------|-----------------|

Dimensions

| | |
|------------------|--|
| Stack Height | 18 mm, 6 mm, 10 mm, 14 mm [.551 in][.709 in][.236 in][.394 in] |
| Connector Height | 6 mm [.236 in] |

Usage Conditions

| | |
|-----------------------------|-----------------------------|
| Housing Temperature Rating | High |
| Operating Temperature Range | -40 – 125 °C [-40 – 257 °F] |

Operation/Application

| | |
|--------------------------|------|
| Assembly Process Feature | None |
|--------------------------|------|

Industry Standards

| | |
|------------------------|----------|
| UL Flammability Rating | UL 94V-0 |
|------------------------|----------|

Product Compliance

[For compliance documentation, visit the product page on TE.com>](#)

| | |
|---|---|
| EU RoHS Directive 2011/65/EU | Compliant |
| EU ELV Directive 2000/53/EC | Compliant |
| China RoHS 2 Directive MIIT Order No 32, 2016 | No Restricted Materials Above Threshold |
| EU REACH Regulation (EC) No. 1907/2006 | Current ECHA Candidate List: JUNE 2024 (241) Candidate List Declared Against: JUNE 2024 (241) Does not contain REACH SVHC |
| Halogen Content | Low Halogen - Br, Cl, F, I < 900 ppm per homogenous material. Also BFR/CFR/PVC Free |
| Solder Process Capability | Reflow solder capable to 260°C |

Product Compliance Disclaimer

This information is provided based on reasonable inquiry of our suppliers and represents our current actual knowledge based on the information they provided. This information is subject to change. The part numbers that TE has identified as EU RoHS compliant have a maximum concentration of 0.1% by weight in homogenous materials for lead, hexavalent chromium, mercury, PBB, PBDE, DBP, BBP, DEHP, DIBP, and 0.01% for cadmium, or qualify for an exemption to these limits as defined in the Annexes of Directive 2011/65/EU (RoHS2). Finished electrical and electronic equipment products will be CE marked as required by Directive 2011/65/EU. Components may not be CE marked. Additionally, the part numbers that TE has identified as EU ELV compliant have a maximum concentration of 0.1% by weight in homogenous materials for lead, hexavalent chromium, and mercury, and 0.01% for cadmium, or qualify for an exemption to these limits as defined in the Annexes of Directive 2000/53/EC (ELV). Regarding the REACH Regulation, the information TE provides on SVHC in articles for this part number is based on the latest European Chemicals Agency (ECHA) 'Guidance on requirements for substances in articles' posted at this URL: <https://echa.europa.eu/guidance-documents/guidance-on-reach>

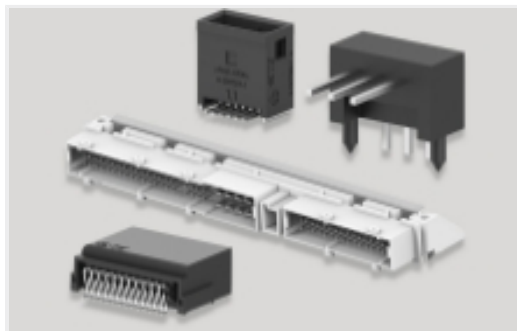


Compatible Parts



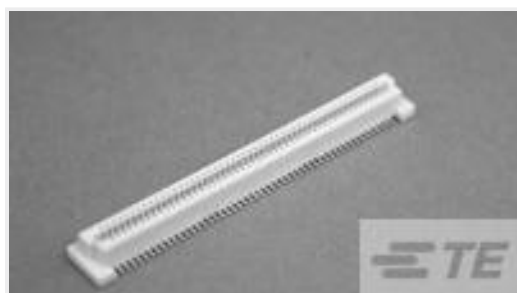
TE Part # CAT-313-RCB120
Receptacle Connector: Free Height,
PCB Mount for Parallel Stacking

Also in the Series | Free Height



PCB Headers & Receptacles(751)

Customers Also Bought



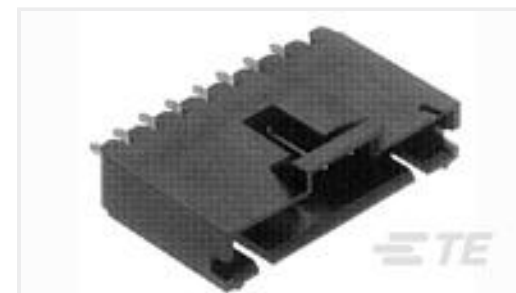
TE Part #5177983-3
0.8FH,R05H.5,080,08/Sn,TU



TE Part #650473-5
096 EURO TYPE C PIN ST ASSY



TE Part #5179029-3
0.8FH,P06H.5,080,08/Sn,TU



TE Part #5-103908-1
02 MTE HDR SRST LATCH W/HLDWN



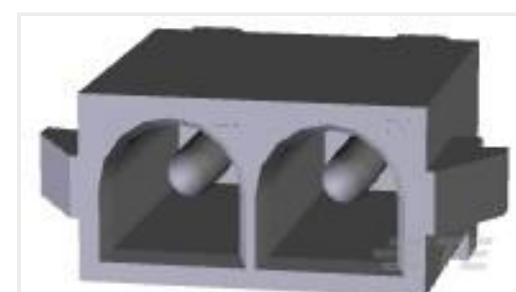
TE Part #350786-3
02P UMNL HDR ASSY AU 94VO



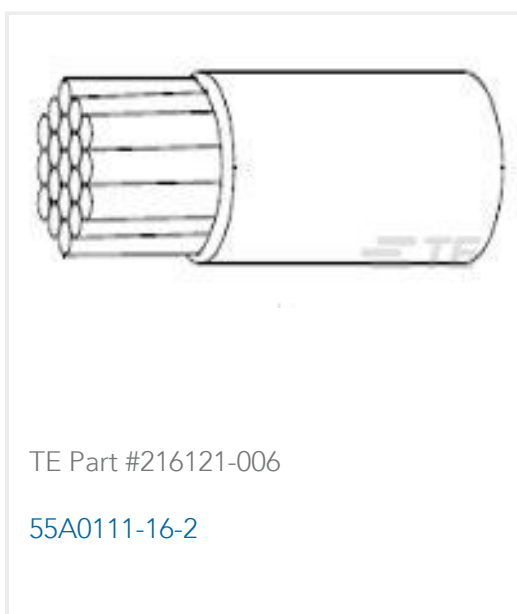
TE Part #1981959-1
PUSH PUSH SIM H1.87 SWITCH
EMBOSS ASSY



TE Part #6-160448-5
FF 250 REC 1.0-2.5MM2 TPBR



TE Part #194269-1
HDR ASSY,MNL,2 POS,LUBRICATED



Documents

Product Drawings

[0.8FH,P06H.5,120,08/Sn,TU](#)

English

CAD Files

Customer View Model

[ENG_CVM_CVM_5179029-5_B.2d_dxf.zip](#)

English

[3D PDF](#)

3D

Customer View Model

[ENG_CVM_CVM_5179029-5_B.3d_igs.zip](#)

English

Customer View Model

[ENG_CVM_CVM_5179029-5_B.3d_stp.zip](#)

English

By downloading the CAD file I accept and agree to the [Terms and Conditions](#) of use.

Datasheets & Catalog Pages

[Fine Pitch Stacking Connectors - 0.8mm Free Height \(FH\) Connectors](#)

English

Product Specifications

[Product Specification](#)

English

[Product Specification](#)

English