

SEALING PLUG 8X16 RD - Sealing plug



1400257

<https://www.phoenixcontact.com/pc/products/1400257>

Please be informed that the data shown in this PDF document is generated from our online catalog. Please find the complete data in the user documentation. Our general terms of use for downloads are valid.

Sealing plug, color: red



Commercial data

Item number	1400257
Packing unit	10 pc
Minimum order quantity	10 pc
Product key	BF7DZX
Catalog page	Page 707 (C-2-2019)
GTIN	4046356478717
Weight per piece (including packing)	1.026 g
Weight per piece (excluding packing)	0.752 g
Customs tariff number	39235090
Country of origin	DE

SEALING PLUG 8X16 RD - Sealing plug



1400257

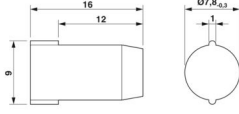
<https://www.phoenixcontact.com/pc/products/1400257>

Technical data

Product properties

Product type	Sealing plugs
--------------	---------------

Dimensions

Dimensional drawing	
Width	7.80 mm
Length	16 mm
Diameter	7.8 mm
	7.8 mm

Material specifications

Material	PA
----------	----

Environmental and real-life conditions

Ambient conditions

Ambient temperature (operation)	-60 °C ... 100 °C
---------------------------------	-------------------

Mounting

Assembly note	The head of the sealing plug must still be visible after mounting in the screw connection (see "after mounting" photo).
---------------	---

SEALING PLUG 8X16 RD - Sealing plug

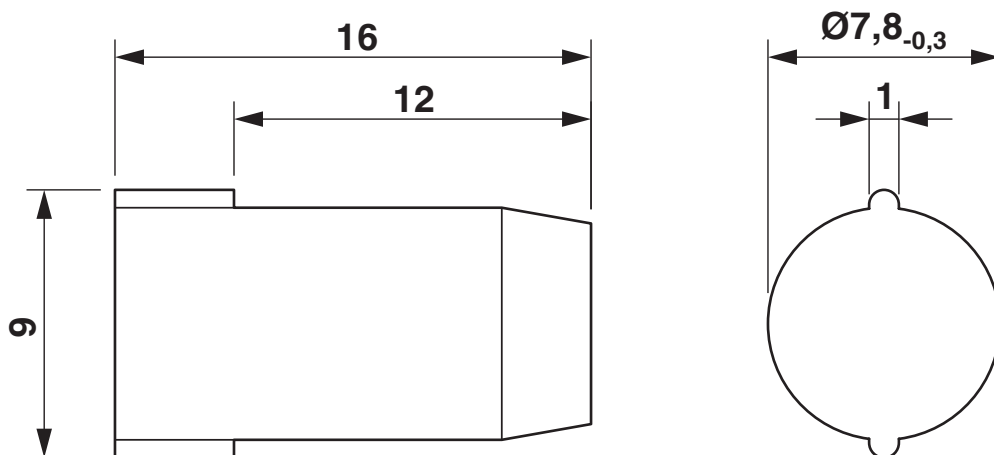
1400257

<https://www.phoenixcontact.com/pc/products/1400257>



Drawings

Dimensional drawing



Dimensional drawing

SEALING PLUG 8X16 RD - Sealing plug



1400257

<https://www.phoenixcontact.com/pc/products/1400257>

Classifications

ECLASS

ECLASS-11.0	27144433
ECLASS-13.0	23111190

ETIM

ETIM 9.0	EC000032
----------	----------

UNSPSC

UNSPSC 21.0	39121300
-------------	----------

SEALING PLUG 8X16 RD - Sealing plug



1400257

<https://www.phoenixcontact.com/pc/products/1400257>

Environmental product compliance

EU RoHS

Fulfills EU RoHS substance requirements	Yes, No exemptions
---	--------------------

China RoHS

Environment friendly use period (EFUP)	EFUP-E
	No hazardous substances above the limits

EU REACH SVHC

REACH candidate substance (CAS No.)	No substance above 0.1 wt%
-------------------------------------	----------------------------

Phoenix Contact 2024 © - all rights reserved
<https://www.phoenixcontact.com>

PHOENIX CONTACT GmbH & Co. KG
Flachmarktstraße 8
D-32825 Blomberg
+49 (0) 5235-3 00
info@phoenixcontact.com