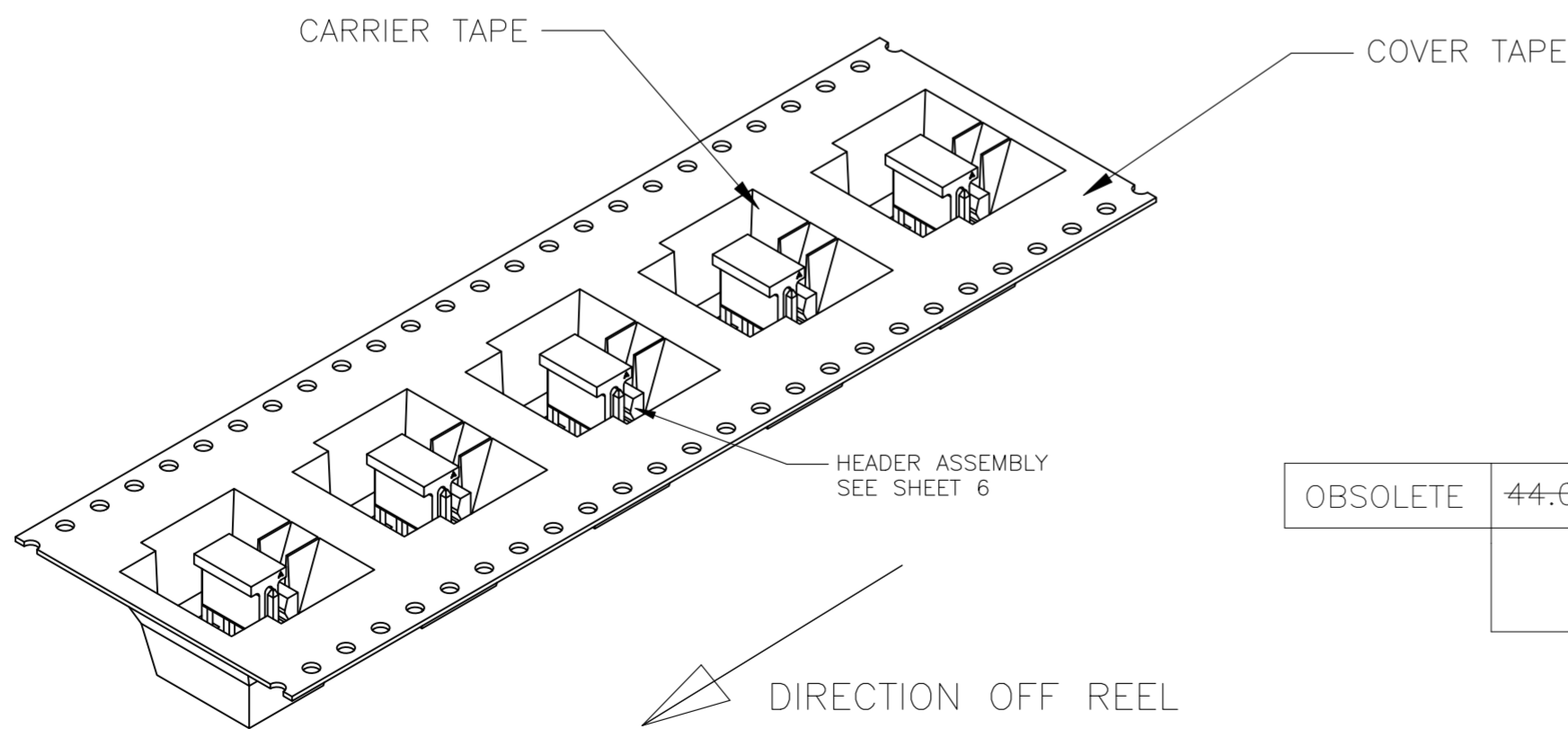
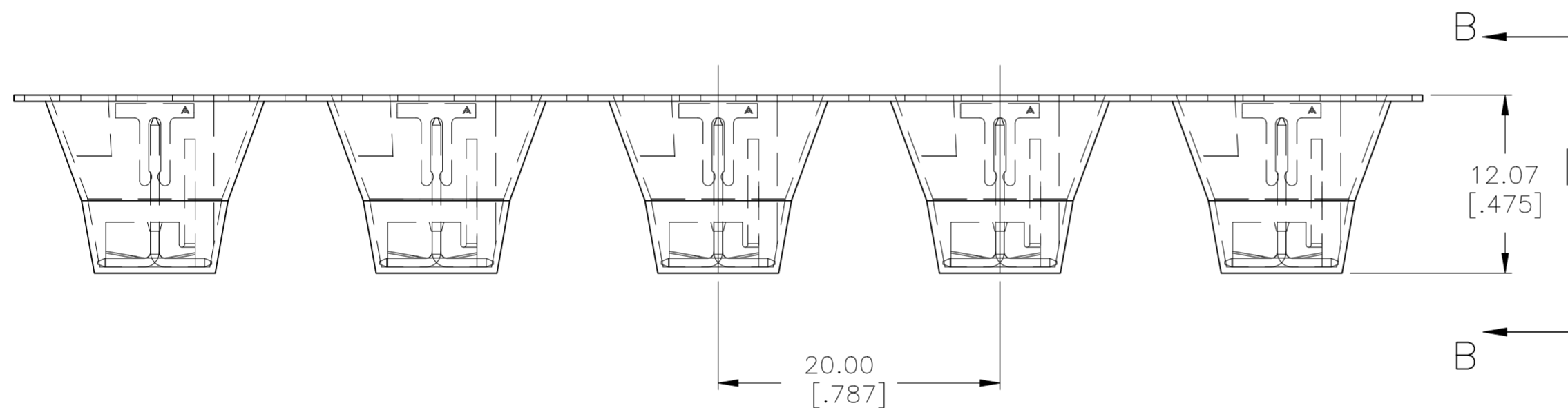
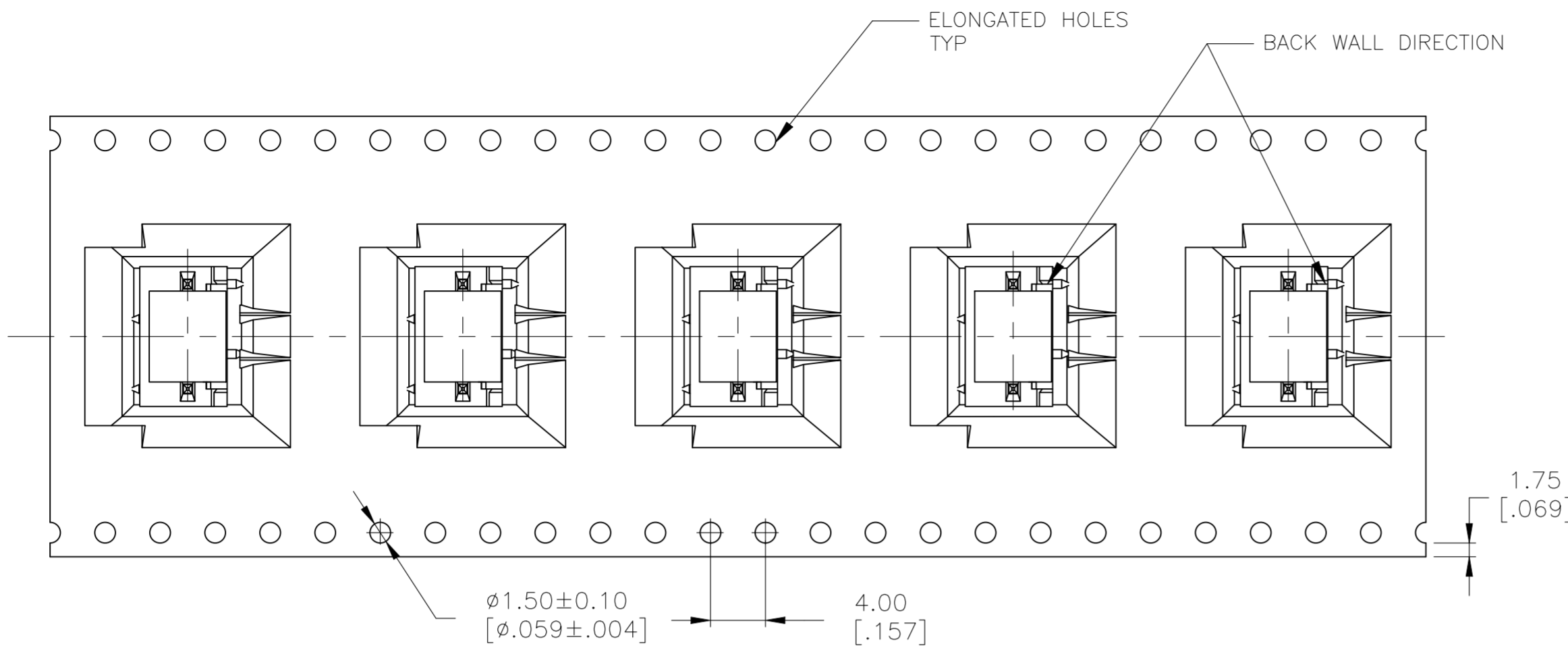
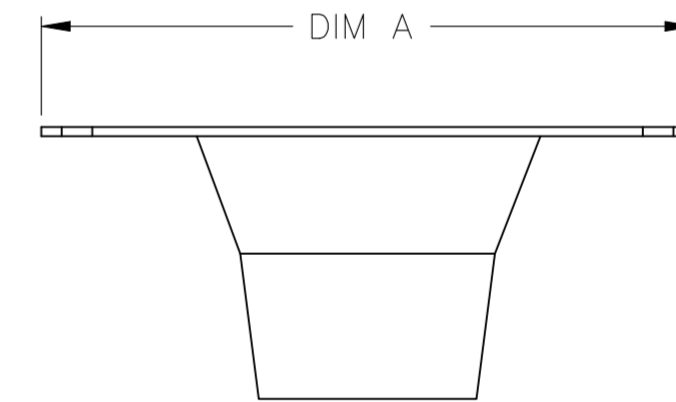


REVISIONS					
P	LTR	DESCRIPTION	DATE	DWN	APVD
D		REVISED PER ECR-25-253035	06OCT2025	CKN	JP



- 1 MATERIAL:  
HEADER- NYLON 4/6, HIGH TEMPERATURE, UL94V-0  
POST: COPPER ALLOY  
CAVITY CARRIER TAPE: BLACK CONDUCTIVE POLYCARBONATE  
COVER TAPE: POLYESTER FILM TAPE.
- 2 FINISH:  
HOUSING: COLOR, BLACK  
POST: GOLD PLATED.
- 3 POSTS TO WITHSTAND 13 NEWTONS [3 LBS] MIN AXIAL FORCE IN THIS DIRECTION WITHOUT DISLODGING, BEFORE SOLDERING.
- 4 POSTS SOLDER TAILS MUST COMPLY WITH AMP SOLDERABILITY SPEC 109-11-2.
- 5 MEASURED AT  $\square A$
- 6 APPLIES WHEN HEADER IS HELD STRAIGHT.
- 7 COORDINATE DIMENSION APPLIES FROM CENTER OF ACTUAL FEATURE.
- 8 DIMENSIONS APPLY TO THE COMPONENT SIDE OF BOARD.
- 9 MAXIMUM TEMPERATURE EXPOSURE DURING REFLOW SOLDERING NOT TO EXCEED 280°C [536°F]
- 10 HEADERS ARE SUPPLIED ON A 330.2mm [13 INCH] DIAMETER REEL, WITH 225 PARTS PER REEL. THE CAVITY CARRIER TAPE HOLDS 1 PART PER POCKET, ORIENTED AS SHOWN.
- 11 AMP LOGO, UL AND CSA TRADEMARKS TO APPEAR ON THIS SURFACE.



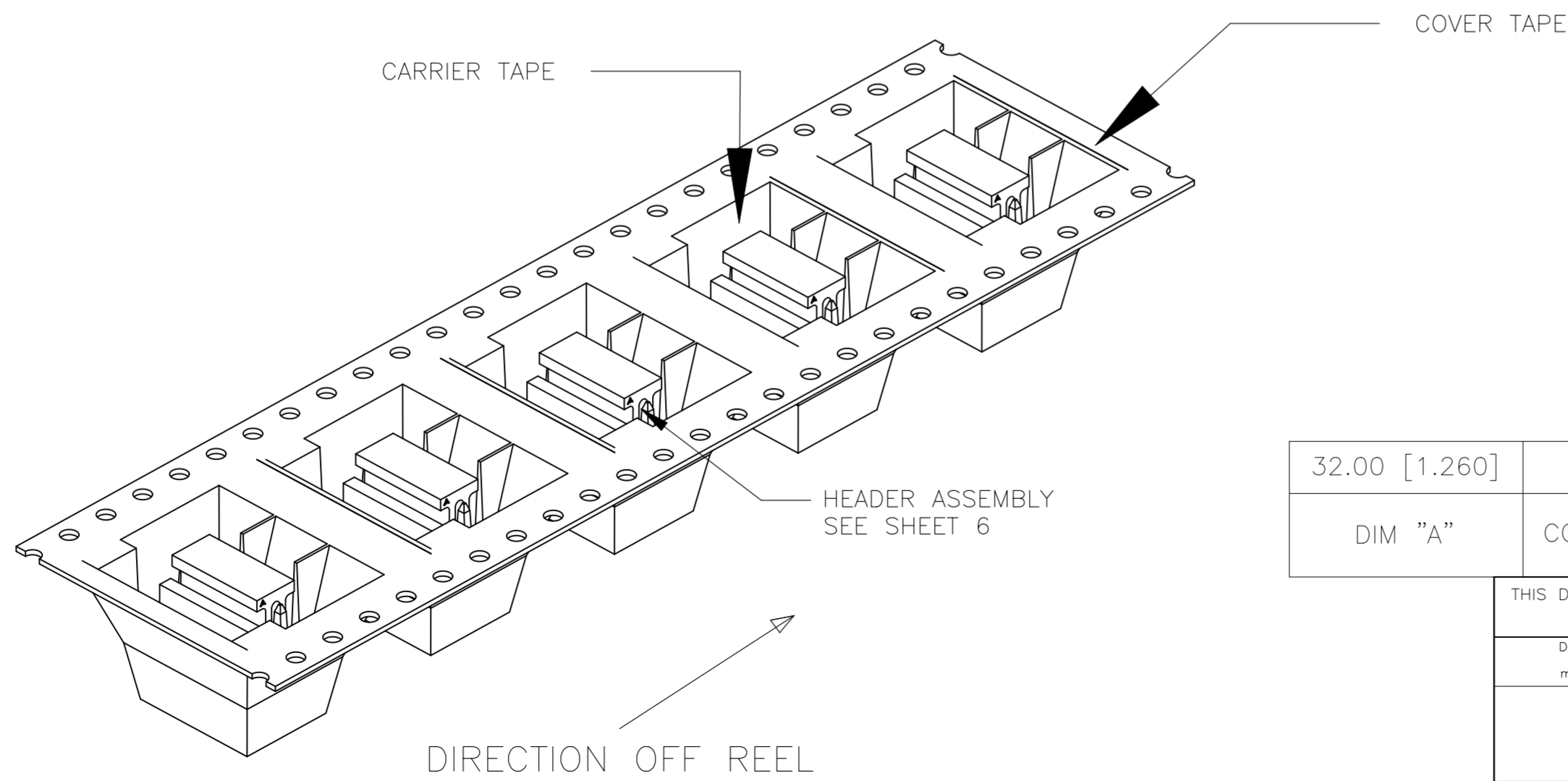
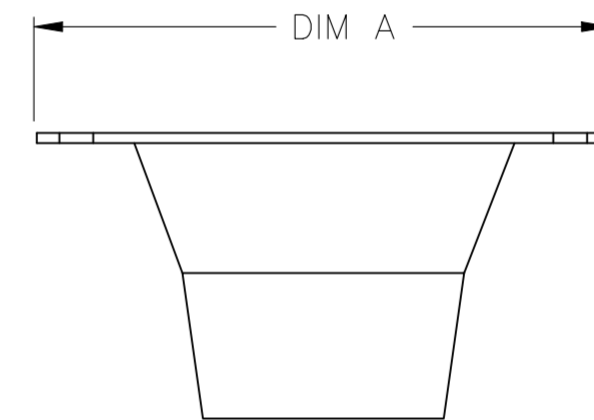
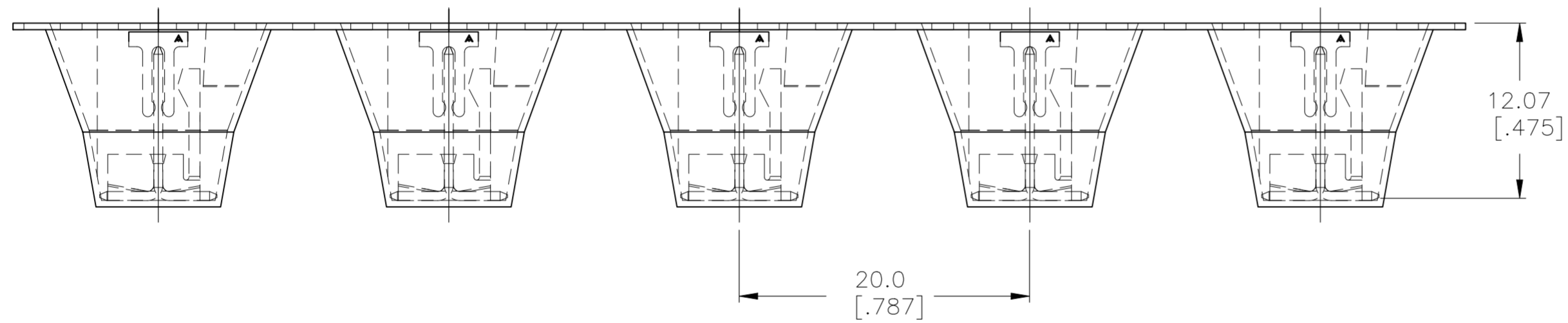
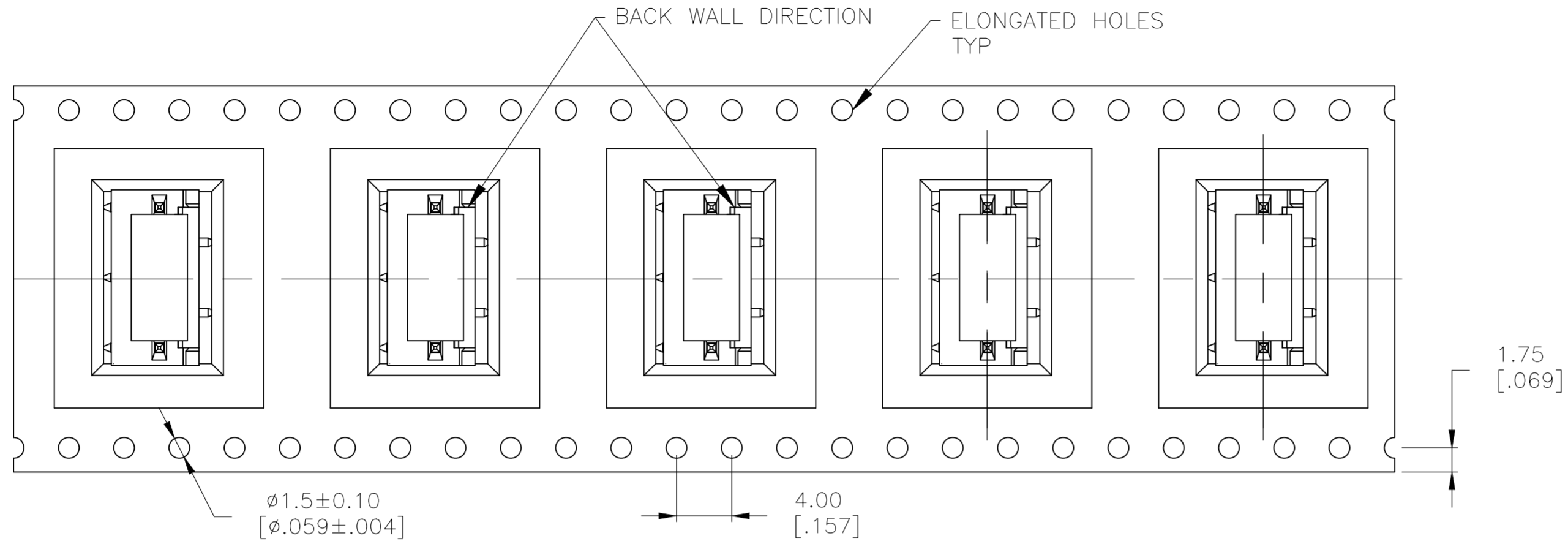
OBSOLETE	44.00 [1.732]	972366-5	1706504-8	147117-5	7	3-647168-7	3-1744163-7
	DIM "A"	COVER TAPE	CARRIER TAPE	PICK & PLACE CAP	NO. OF POSITIONS	HEADER ASSEMBLY	PART NO

THIS DRAWING IS A CONTROLLED DOCUMENT.

DIMENSIONS: mm [INCHES]	TOLERANCES UNLESS OTHERWISE SPECIFIED: 0 PLC ± - 1 PLC ± - 2 PLC ± - 3 PLC ± .015 4 PLC ± - ANGLES ± 1°	DWN jr ruth 30MAR11 CHK SAM MACE 30MAR11 APVD SAM MACE 30MAR11 PRODUCT SPEC 108-1050 APPLICATION SPEC 114-1019	NAME MTA-100 HEADER ASSY, SURFACE MOUNT, FRICTION LOCK, TAPE LOADED W/CAP
MATERIAL	FINISH	WEIGHT -	SIZE A2 CAGE CODE 00779 DRAWING NO. C=1744163
CUSTOMER DRAWING		SCALE 3:1	SHEET 1 of 7 REV D

TE Connectivity Ltd.

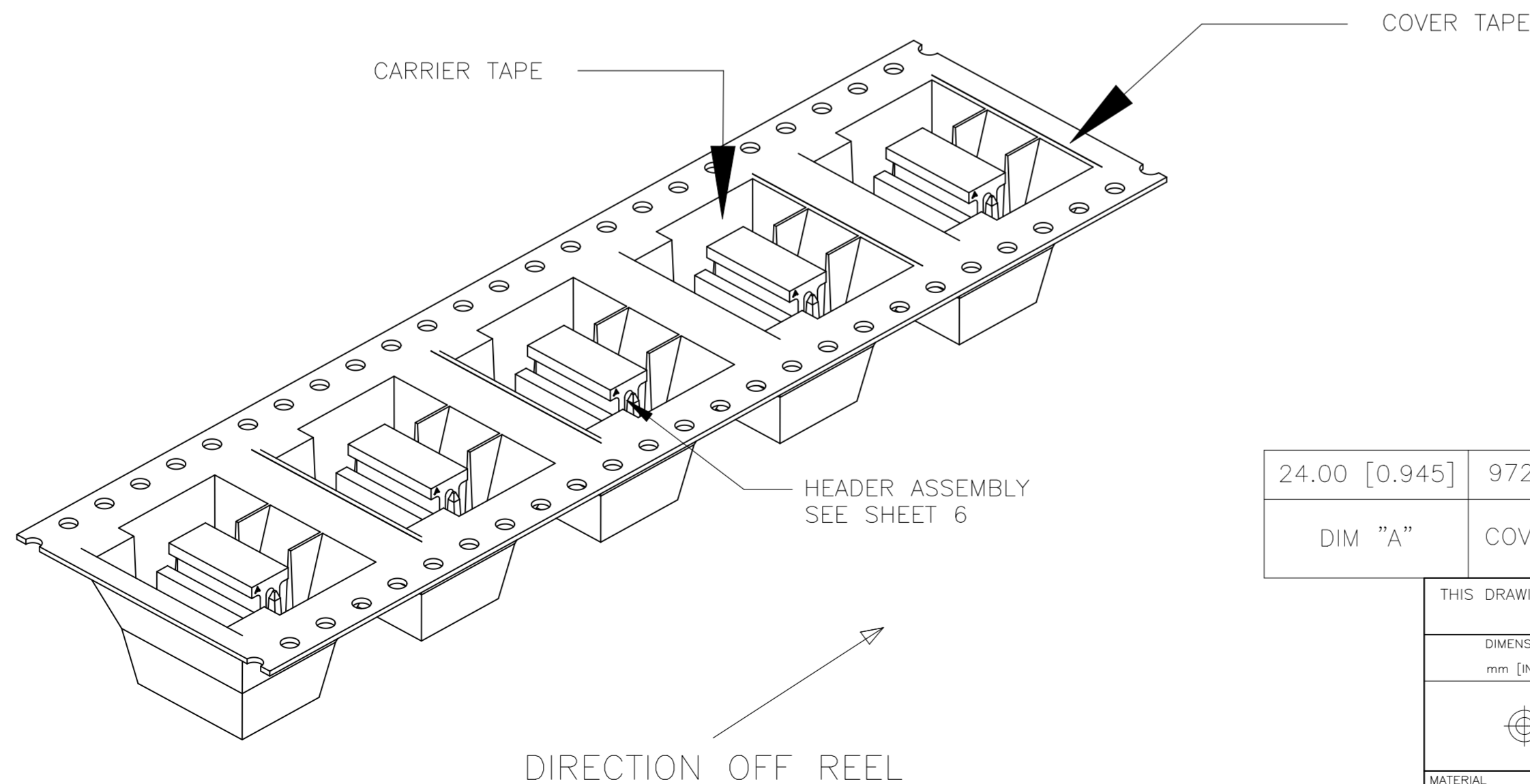
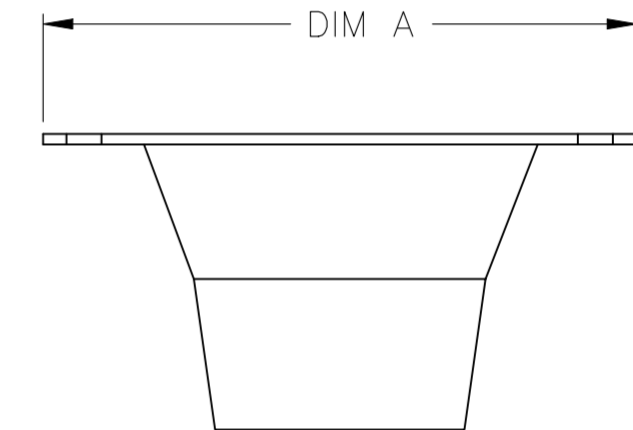
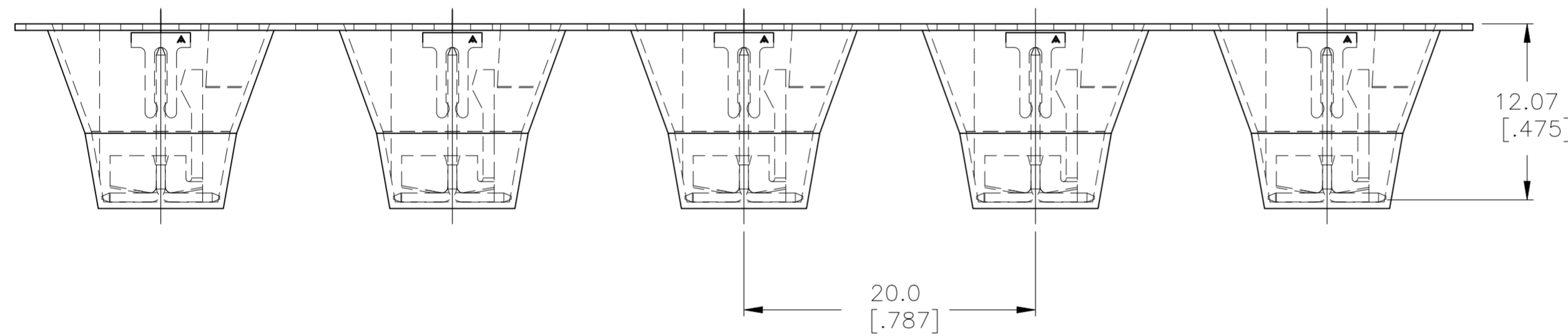
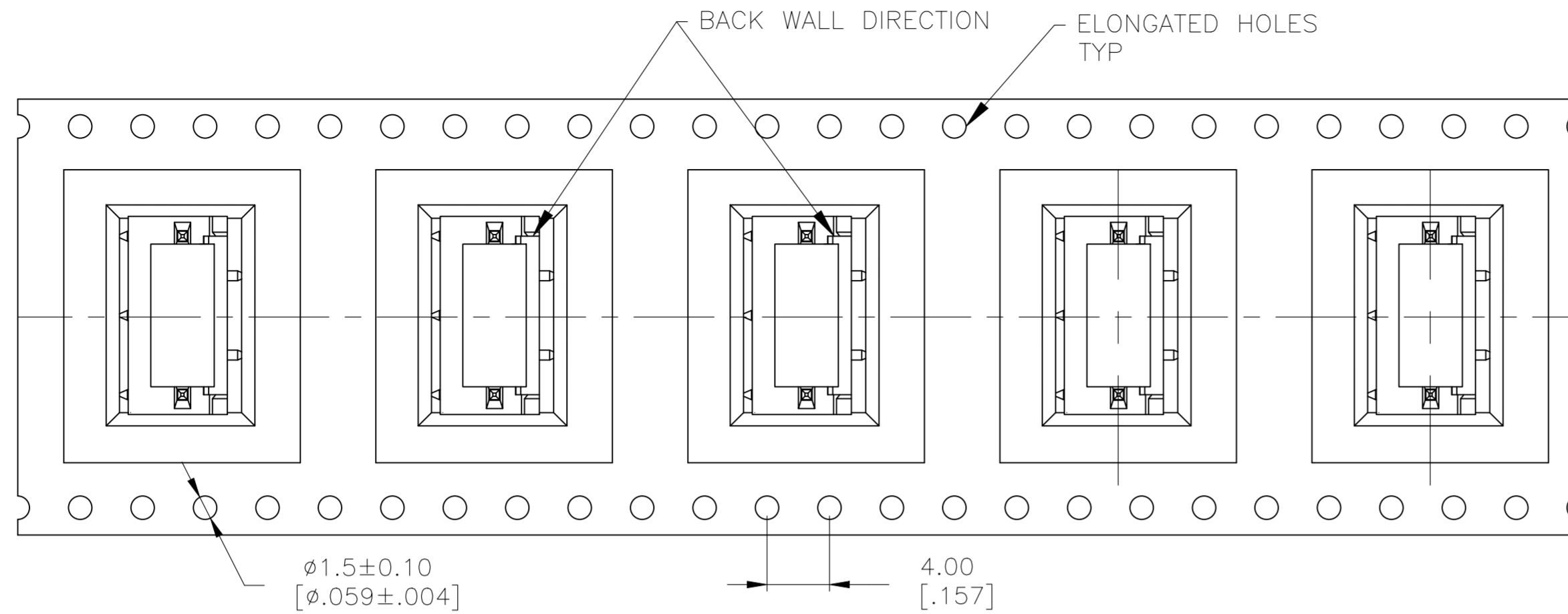
REVISIONS					
P	LTR	DESCRIPTION	DATE	DWN	APVD
-	-	SEE SHEET 1	-	-	-



32.00 [1.260]	972366-4	1706504-4	147117-5	4	3-647168-4	3-1744163-4
DIM "A"	COVER TAPE	CARRIER TAPE	PICK & PLACE CAP	NO. OF POSITIONS	HEADER ASSEMBLY	PART NO

THIS DRAWING IS A CONTROLLED DOCUMENT.		DWN jr ruth 30MAR11	TE Connectivity Ltd.			
DIMENSIONS: mm [INCHES]		CHK SAM MACE 30MAR11				
TOLERANCES UNLESS OTHERWISE SPECIFIED:		APVD SAM MACE 30MAR11	NAME MTA-100 HEADER ASSY, SURFACE MOUNT, FRICTION LOCK, TAPE LOADED W/CAP			
0 PLC ± -		PRODUCT SPEC 108-1050	SIZE A2			
1 PLC ± -		APPLICATION SPEC 114-1019	CAGE CODE 00779	DRAWING NO C=1744163	RESTRICTED TO -	
2 PLC ± -		MATERIAL -	SCALE 3:1		SHEET 2 of 7	REV D
3 PLC ± .015		FINISH -	CUSTOMER DRAWING			
4 PLC ± -						
ANGLES ± 1°						

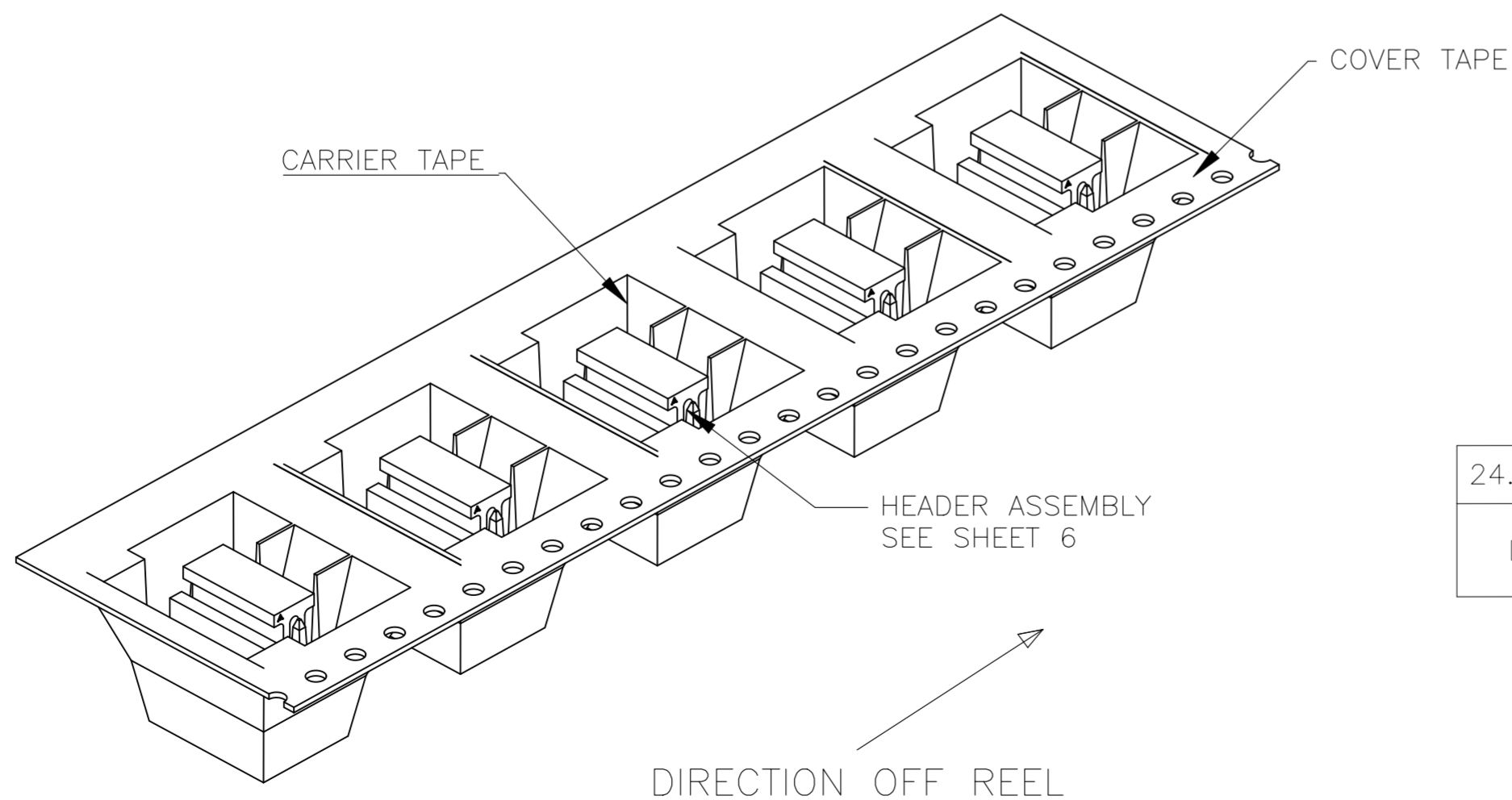
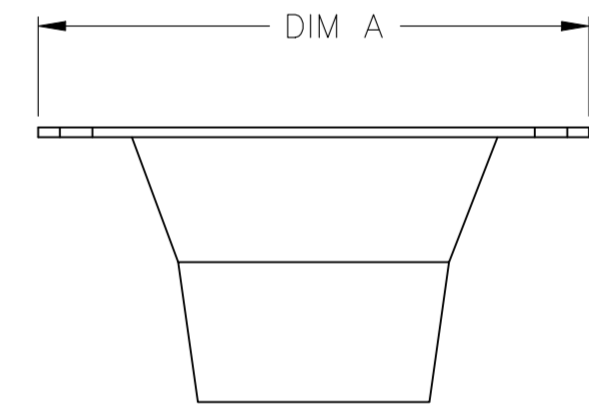
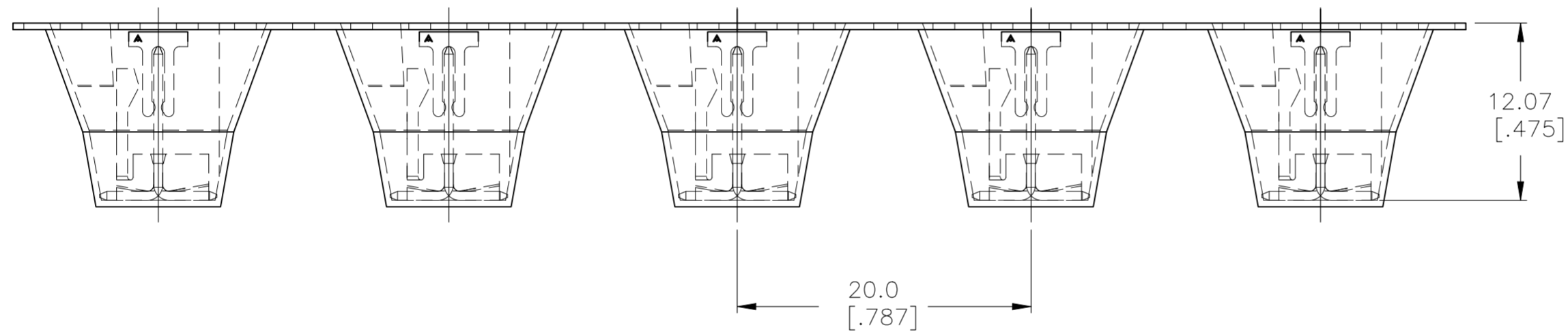
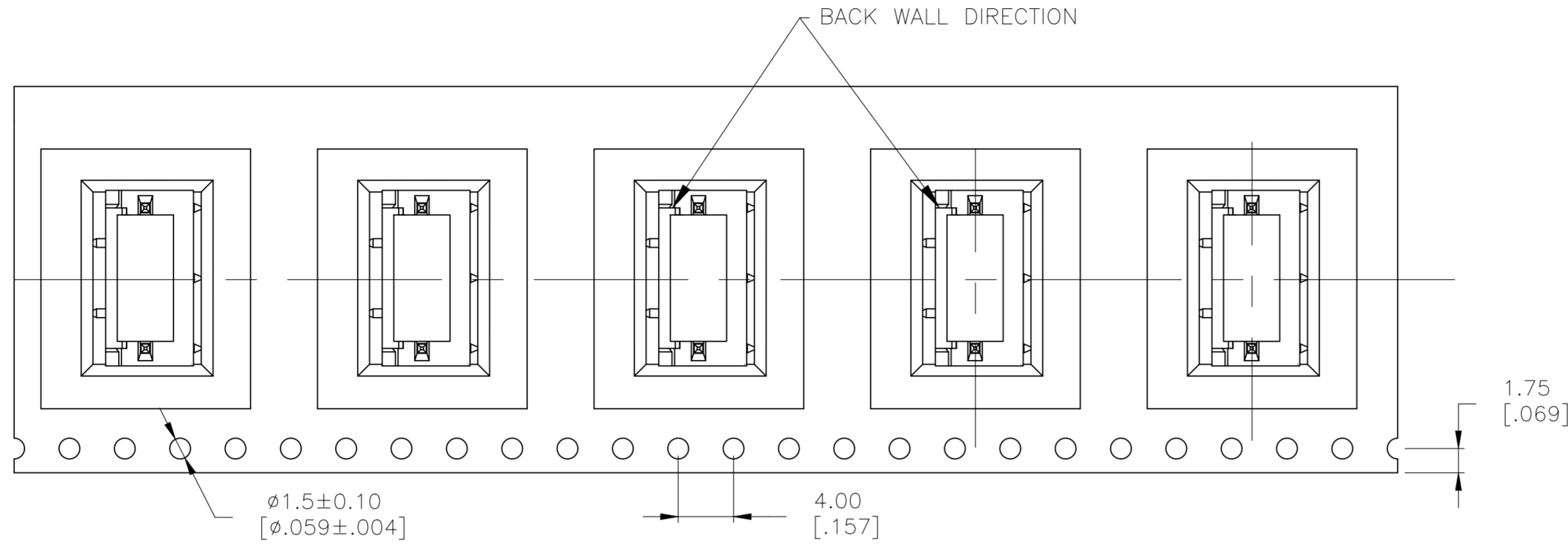
REVISIONS					
P	LTR	DESCRIPTION	DATE	DWN	APVD
-	-	SEE SHEET 1	-	-	-



24.00 [0.945]	972366-3	1706504-3	147117-5	3	3-647168-3	3-1744163-3
DIM "A"	COVER TAPE	CARRIER TAPE	PICK & PLACE CAP	NO. OF POSITIONS	HEADER ASSEMBLY	PART NO

THIS DRAWING IS A CONTROLLED DOCUMENT.		DWN jr ruth 30MAR11	TE Connectivity Ltd.			
DIMENSIONS: mm [INCHES]		CHK SAM MACE 30MAR11				
TOLERANCES UNLESS OTHERWISE SPECIFIED:		APVD SAM MACE 30MAR11	NAME MTA-100 HEADER ASSY, SURFACE MOUNT, FRICTION LOCK, TAPE LOADED W/CAP			
0 PLC ± -		PRODUCT SPEC 108-1050	SIZE A2			
1 PLC ± -		APPLICATION SPEC 114-1019	CAGE CODE 00779			
2 PLC ± -		WEIGHT	DRAWING NO C=1744163			
3 PLC ± .015		FINISH	RESTRICTED TO -			
4 PLC ± -		MATERIAL	SCALE 3:1			
ANGLES ± 1°		FINISH	SHEET 3 of 7			
FINISH		CUSTOMER DRAWING	REV D			

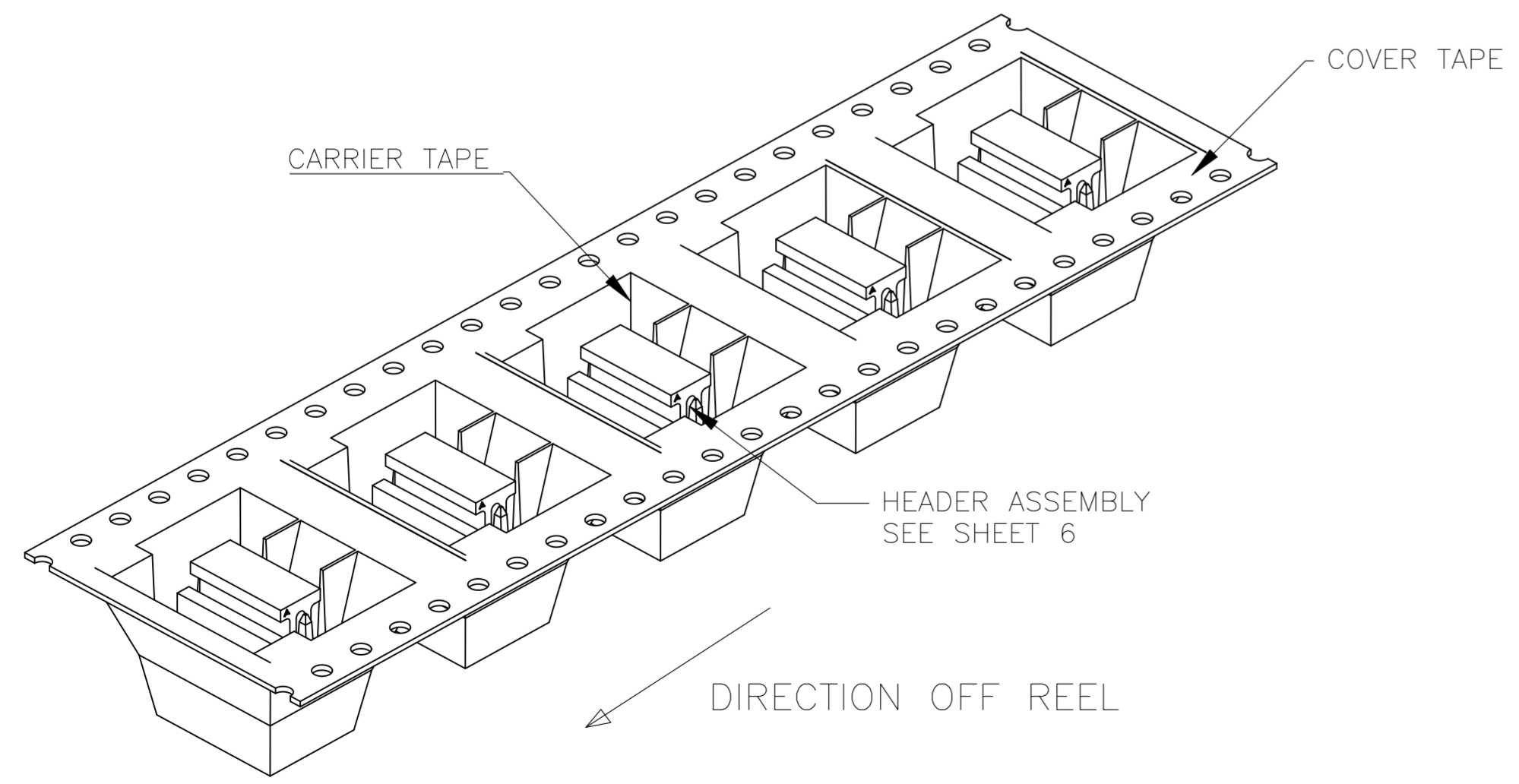
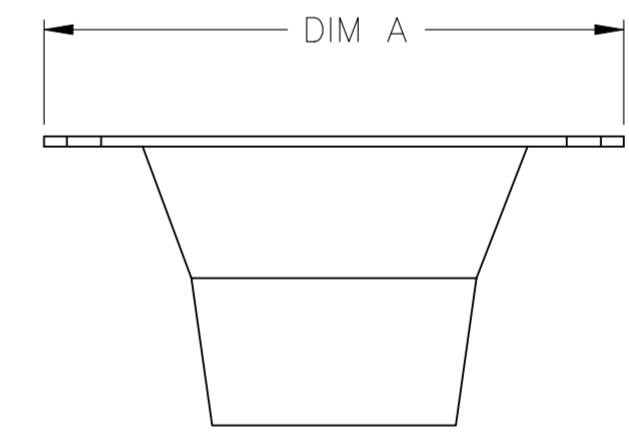
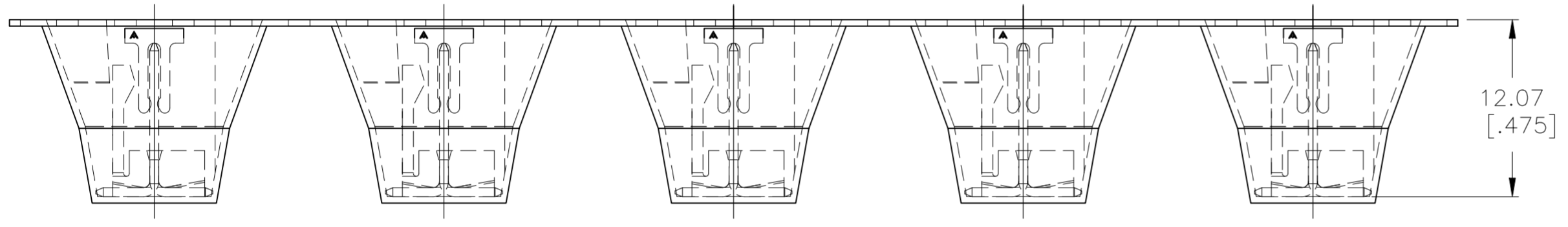
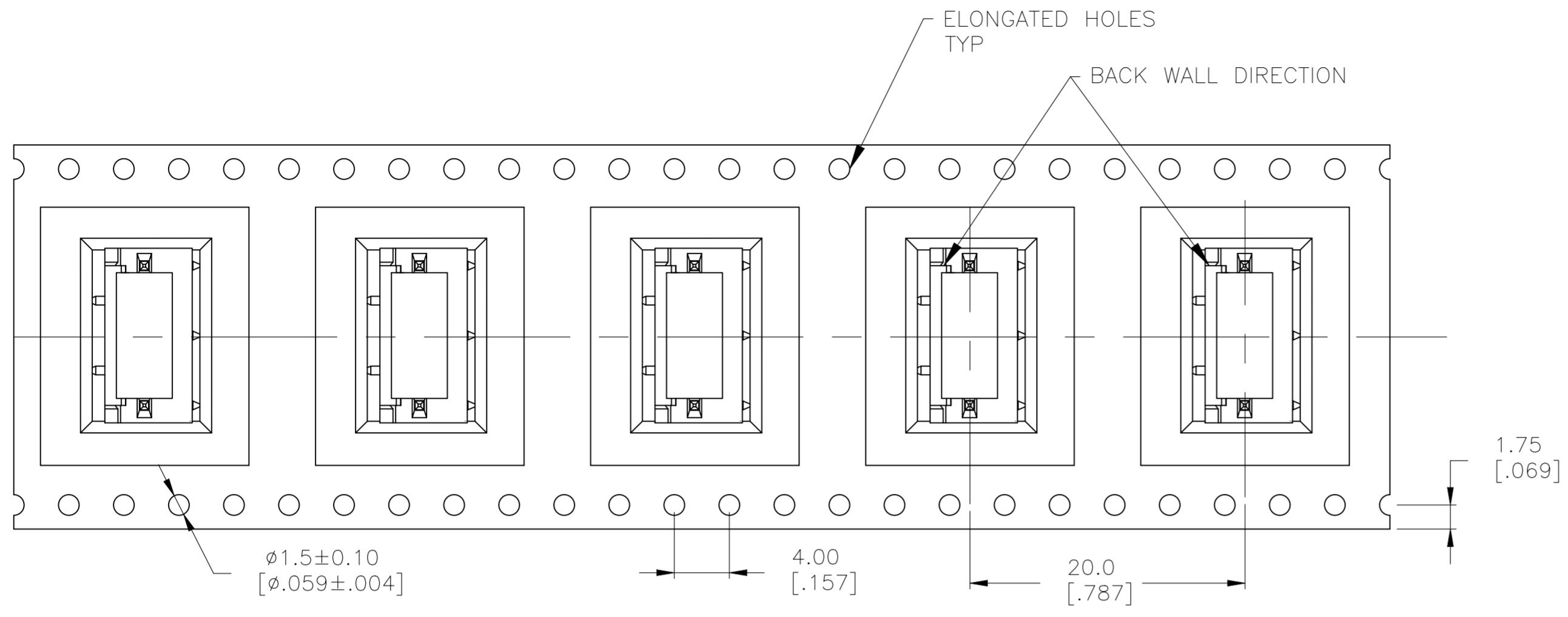
REVISIONS					
P	LTR	DESCRIPTION	DATE	DWN	APVD
-	-	SEE SHEET 1	-	-	-



24.00 [.945]	972366-3	1706504-2	147117-5	2	3-647168-2	3-1744163-2
DIM "A"	COVER TAPE	CARRIER TAPE	PICK & PLACE CAP	NO. OF POSITIONS	HEADER ASSEMBLY	PART NO

THIS DRAWING IS A CONTROLLED DOCUMENT.		DWN jr ruth 30MAR11	TE Connectivity Ltd.			
DIMENSIONS: mm [INCHES]		CHK SAM MACE 30MAR11				
TOLERANCES UNLESS OTHERWISE SPECIFIED:		APVD SAM MACE 30MAR11	NAME MTA-100 HEADER ASSY, SURFACE MOUNT, FRICTION LOCK, TAPE LOADED W/CAP			
0 PLC ± -		PRODUCT SPEC 108-1050	SIZE A2			
1 PLC ± -		APPLICATION SPEC 114-1019	CAGE CODE 00779	DRAWING NO C=1744163	RESTRICTED TO -	
2 PLC ± -		MATERIAL -	SCALE 3:1		SHEET 4 of 7	REV D
3 PLC ± .015		FINISH -	CUSTOMER DRAWING			
4 PLC ± -						
ANGLES ± 1°						

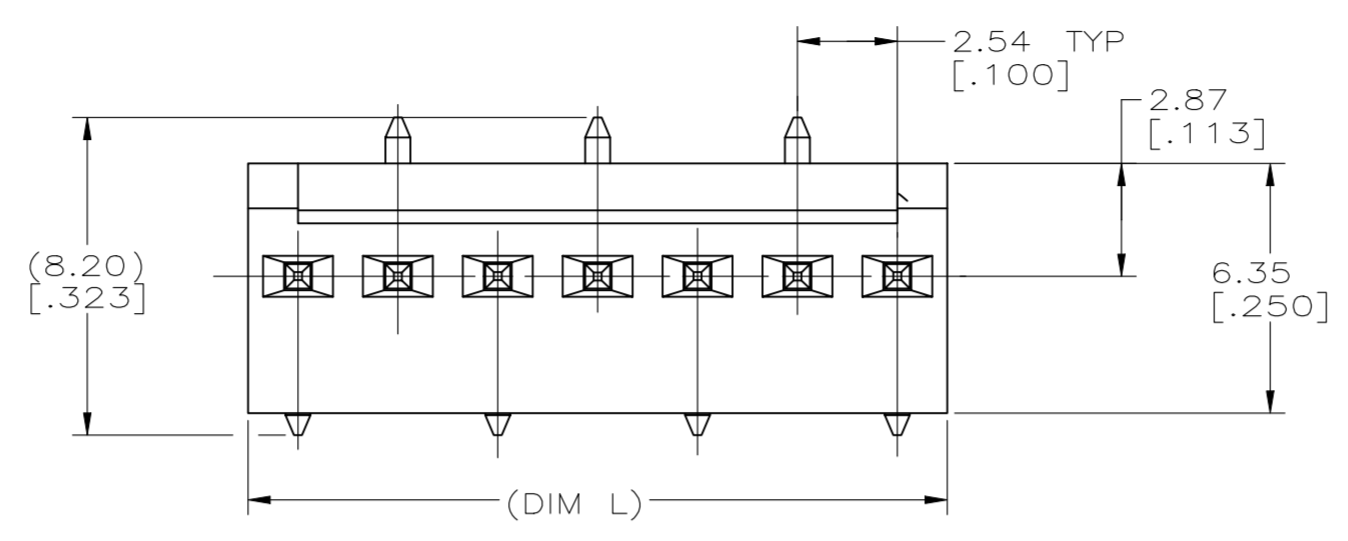
REVISIONS					
P	LTR	DESCRIPTION	DATE	DWN	APVD
-	-	SEE SHEET 1	-	-	-



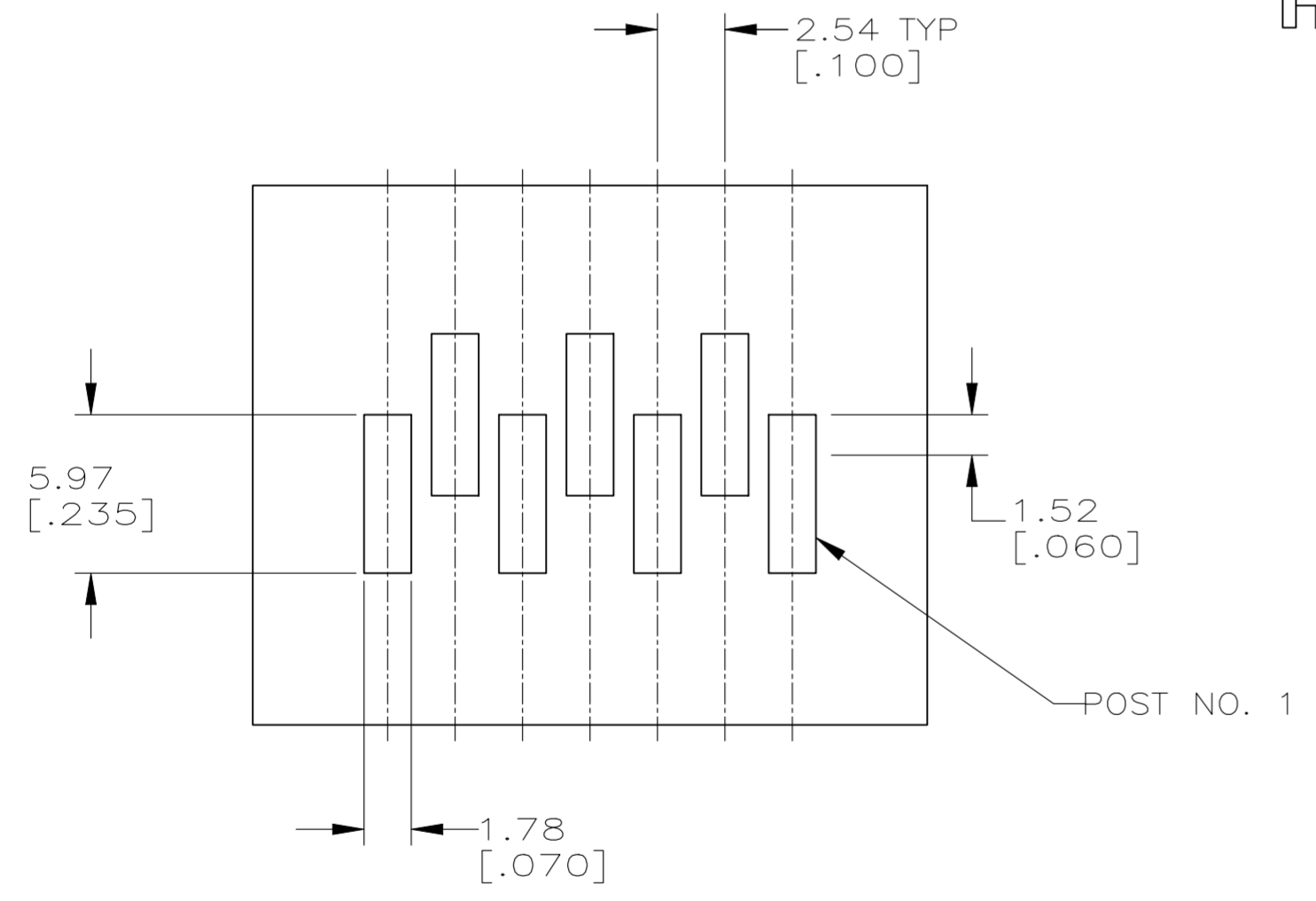
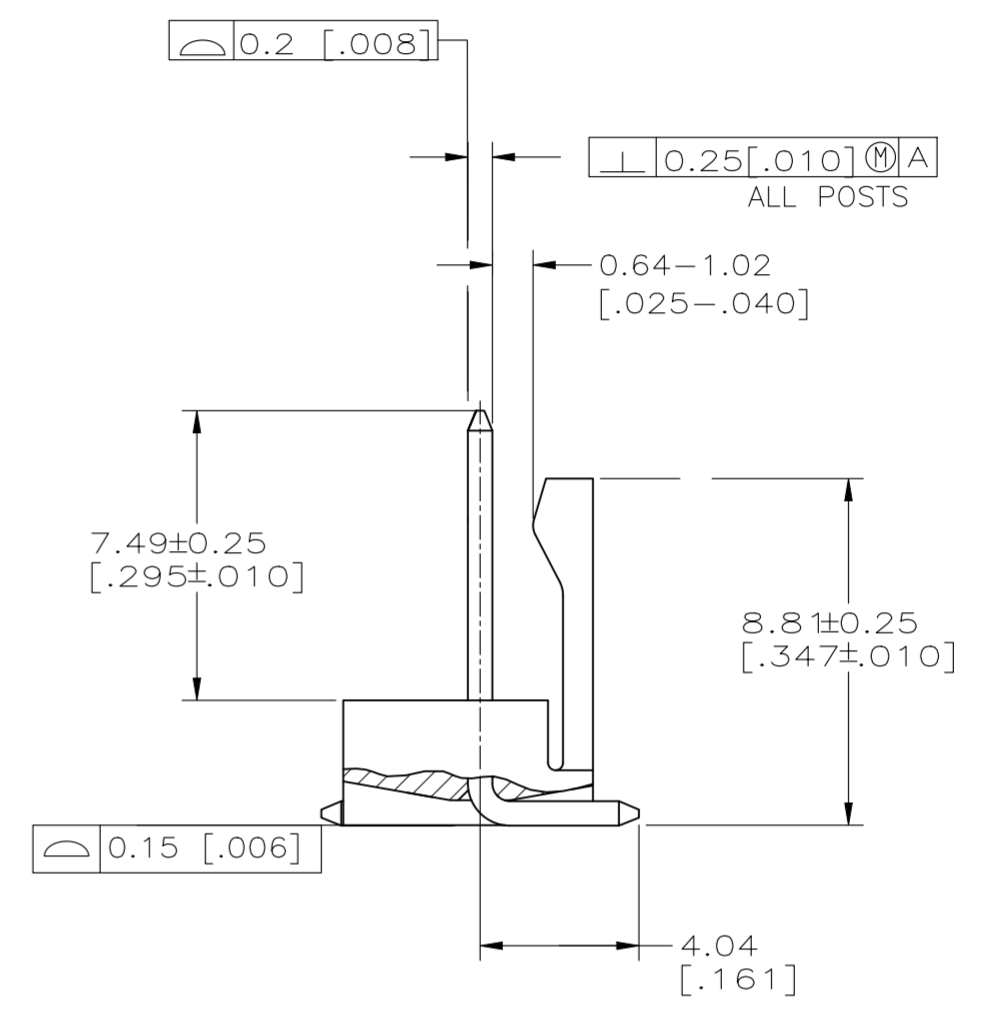
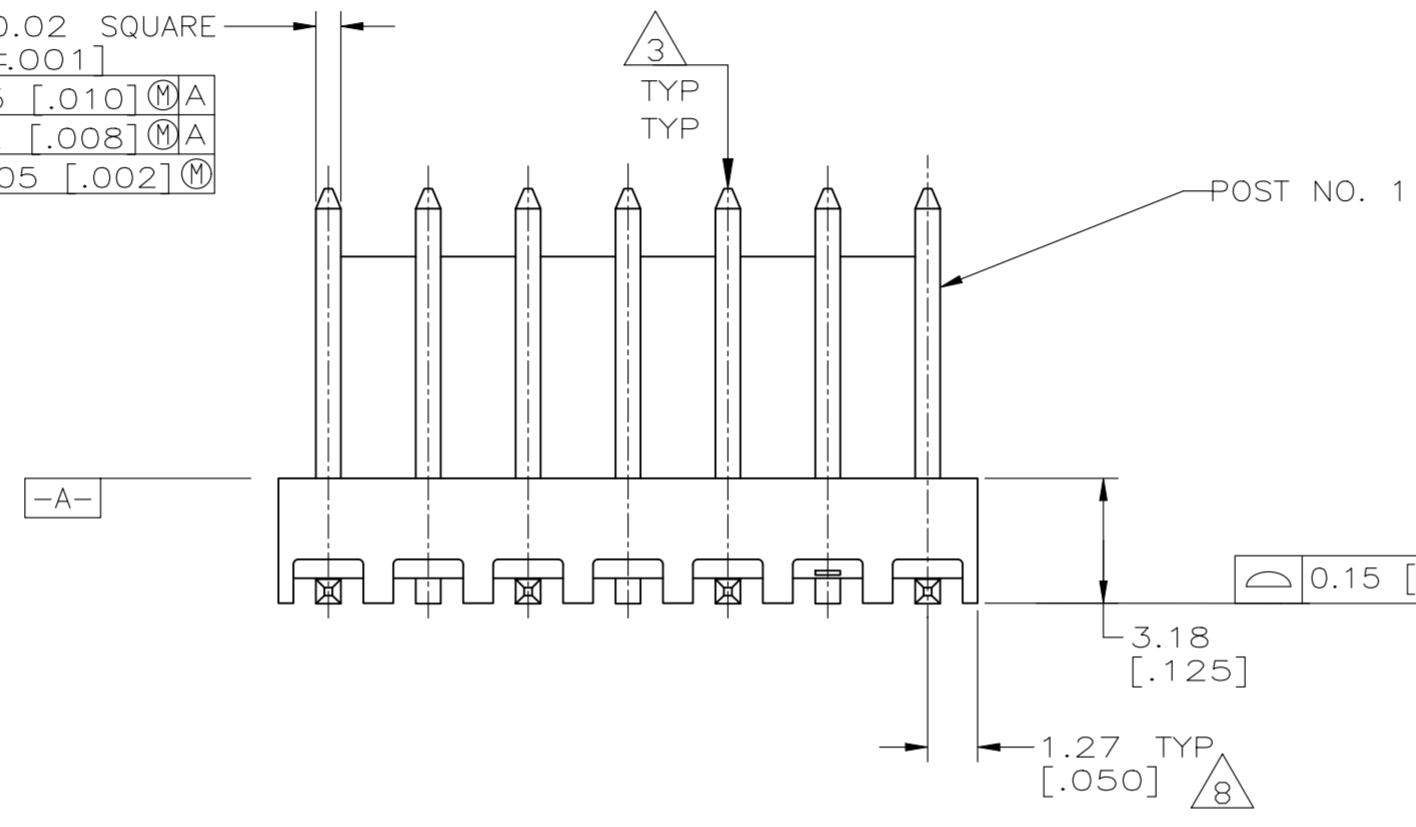
32.00 [1.260]	5	3-647168-5	3-1744163-5
DIM "A"	NO. OF POSITIONS	HEADER ASSEMBLY	PART NO

THIS DRAWING IS A CONTROLLED DOCUMENT.		DWN jr_ruth 30MAR11	TE Connectivity Ltd.	
DIMENSIONS: mm [INCHES]		CHK SAM_MACE 30MAR11	NAME MTA-100 HEADER ASSY, SURFACE MOUNT, FRICTION LOCK, TAPE LOADED W/CAP	
TOLERANCES UNLESS OTHERWISE SPECIFIED:		APVD SAM_MACE 30MAR11	PRODUCT SPEC 108-1050	
0 PLC ± -		APPLICATION SPEC 114-1019	SIZE A2	CAGE CODE 00779
1 PLC ± -		WEIGHT	DRAWING NO C=1744163	RESTRICTED TO -
2 PLC ± -		FINISH	SCALE 3:1	SHEET 5 of 7
3 PLC ± .015		MATERIAL	REV D	
4 PLC ± -				
ANGLES ± 1°				
CUSTOMER DRAWING				

REVISIONS					
P	LTR	DESCRIPTION	DATE	DWN	APVD
-	-	SEE SHEET 1	-	-	-



6	7	0.64±0.02 SQUARE [.025±.001]
6	7	⊥ 0.25 [.010] ⊕ A
6	7	⊕ 0.2 [.008] ⊕ A
6	7	- 0.05 [.002] ⊕ M



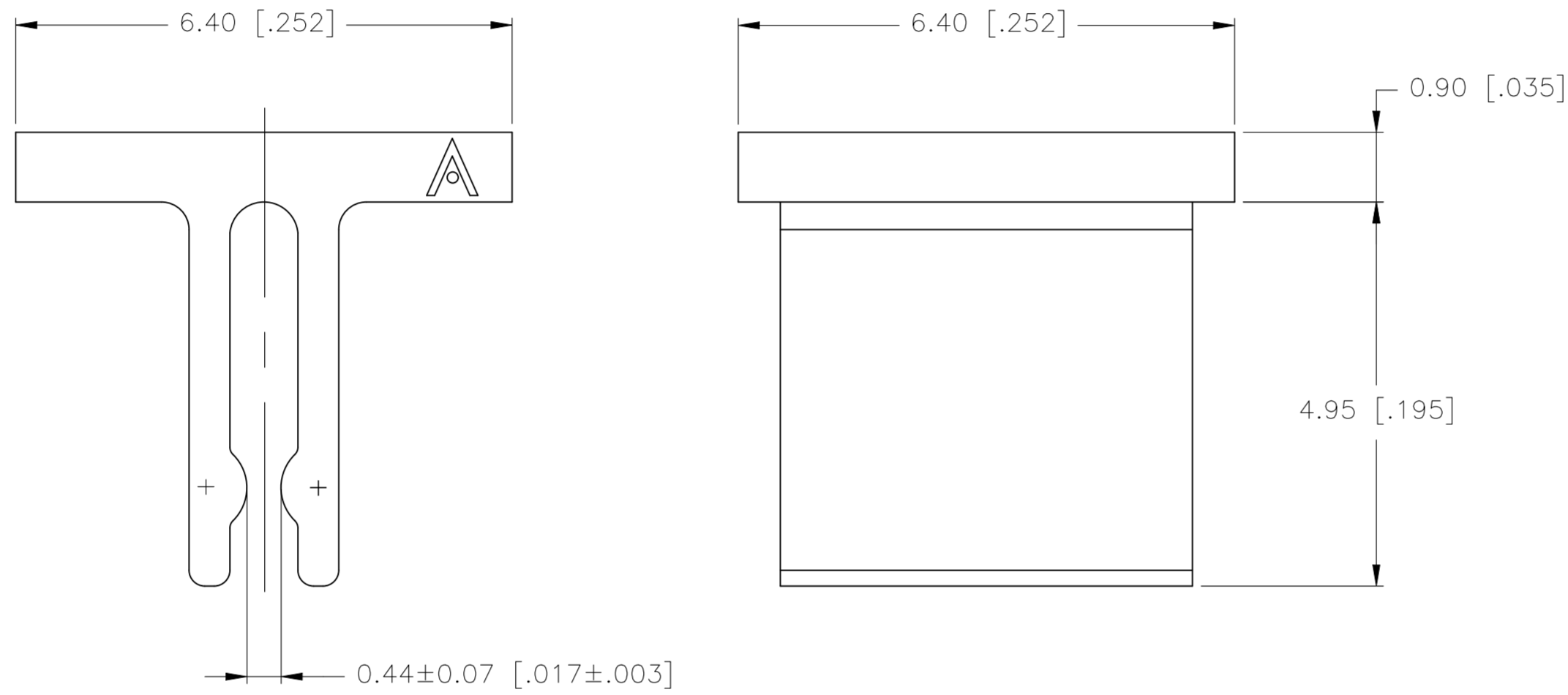
RECOMMENDED P.C. BOARD LAYOUT  
FOR USE WITH 0.25 [.010] THICK STENCIL  
SCALE 5:1

HEADER ASSEMBLY


12.70 [.500]	5	3-647168-5	3-1744163-5
5.08 [.200]	2	3-647168-2	3-1744163-2
17.78 [.700]	7	3-647168-7	3-1744163-7
10.16 [.400]	4	3-647168-4	3-1744163-4
7.62 [.300]	3	3-647168-3	3-1744163-3
DIM "L"	NO OF POSITION	HEADER ASSEMBLY	PART NO

THIS DRAWING IS A CONTROLLED DOCUMENT.		DWN jr ruth 30MAR11	TE Connectivity Ltd.	
DIMENSIONS: mm [INCHES]		CHK SAM MACE 30MAR11	NAME MTA-100 HEADER ASSY, SURFACE MOUNT, FRICTION LOCK, TAPE LOADED W/CAP	
TOLERANCES UNLESS OTHERWISE SPECIFIED:		APVD SAM MACE 30MAR11	PRODUCT SPEC 108-1050	
0 PLC ± -		APPLICATION SPEC 114-1019	SIZE A2	CAGE CODE 00779
1 PLC ± -		WEIGHT	DRAWING NO C=1744163	RESTRICTED TO
2 PLC ± -		FINISH	SCALE 3:1	SHEET 6 of 7
3 PLC ± .015		MATERIAL	REV D	
4 PLC ± -				
ANGLES ± 1°				
CUSTOMER DRAWING				

REVISIONS					
P	LTR	DESCRIPTION	DATE	DWN	APVD
-	-	SEE SHEET 1	-	-	-



CAP FOR HEADER

THIS DRAWING IS A CONTROLLED DOCUMENT.		DWN jr ruth 30MAR11	 TE Connectivity Ltd.		
DIMENSIONS: mm [INCHES]		CHK SAM MACE 30MAR11			
TOLERANCES UNLESS OTHERWISE SPECIFIED:		APVD SAM MACE 30MAR11	NAME MTA-100 HEADER ASSY, SURFACE MOUNT, FRICTION LOCK, TAPE LOADED W/CAP		
0 PLC ± - 1 PLC ± - 2 PLC ± 0.40[.015] 3 PLC ± - 4 PLC ± - ANGLES ± 1°		PRODUCT SPEC 108-1050	RESTRICTED TO -		
MATERIAL -		FINISH -	APPLICATION SPEC 114-1019	SIZE A2	CAGE CODE 00779
		WEIGHT	DRAWING NO C=1744163	SCALE 3:1	SHEET 7 of 7
CUSTOMER DRAWING			REV D		