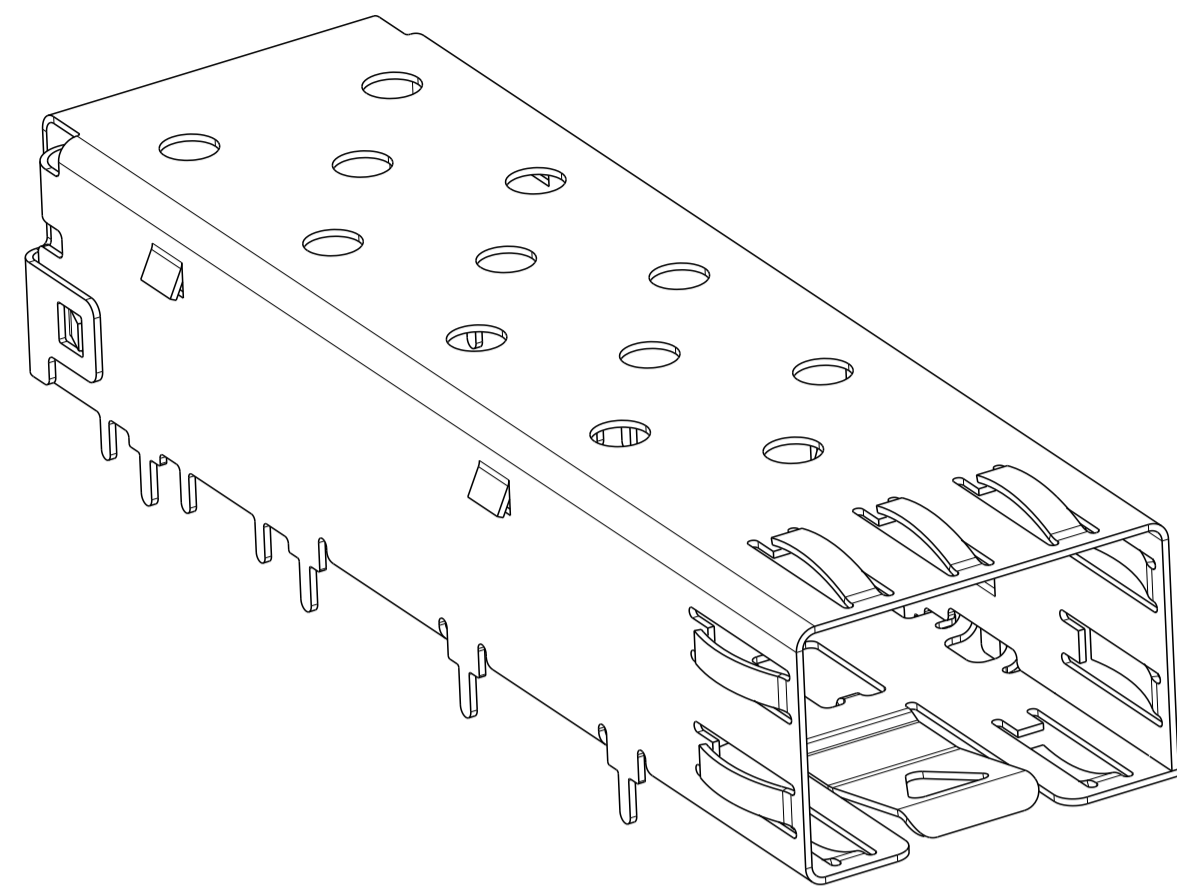
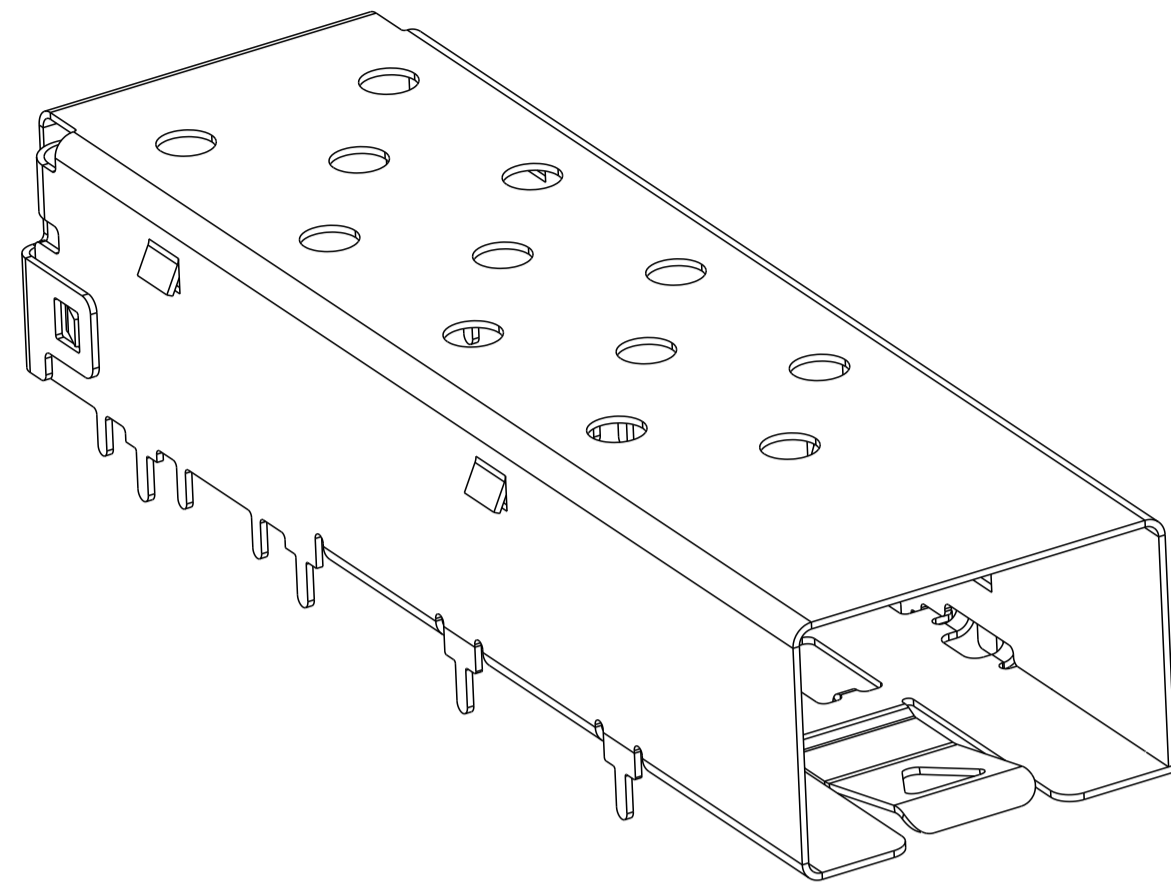


REVISIONS				
P	LTN	DESCRIPTION	DATE	OWN - APVD
C4		REVISED PER ECN-25-330679	09JUL2025	AP SSH

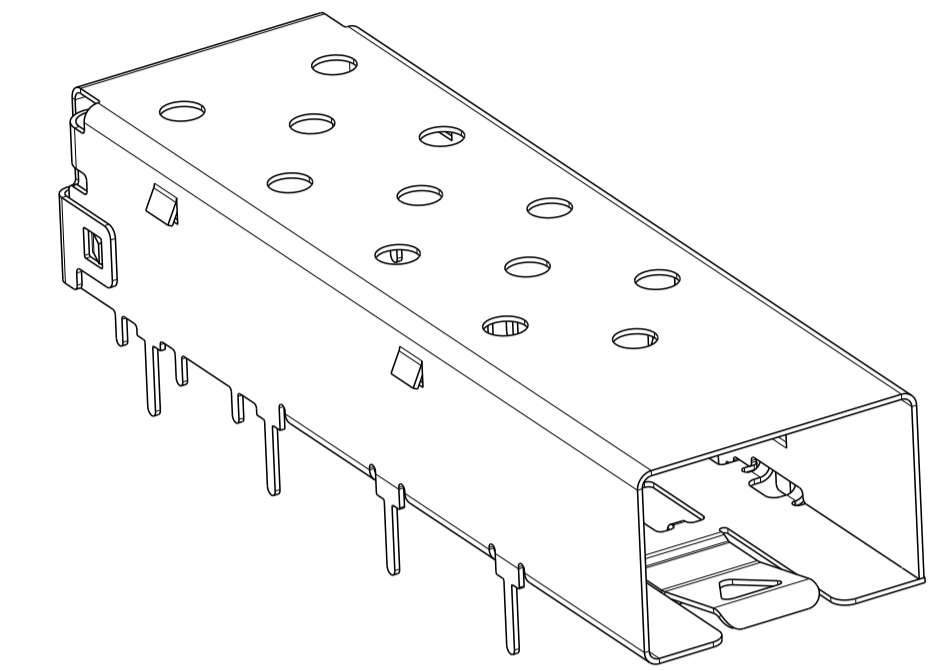


2227303-1, -2, -3, -7
1-2227303-2/3

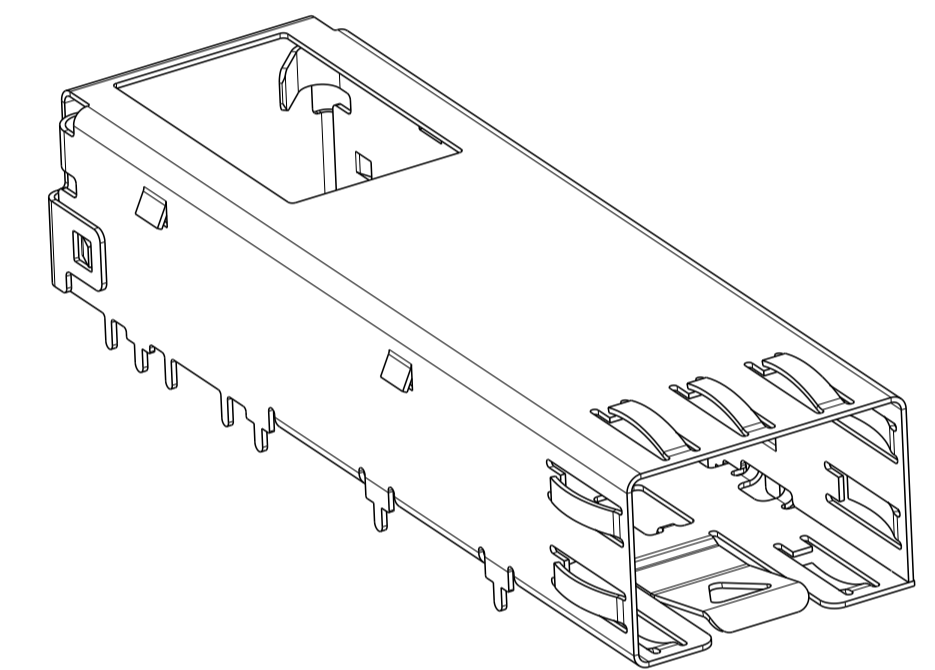
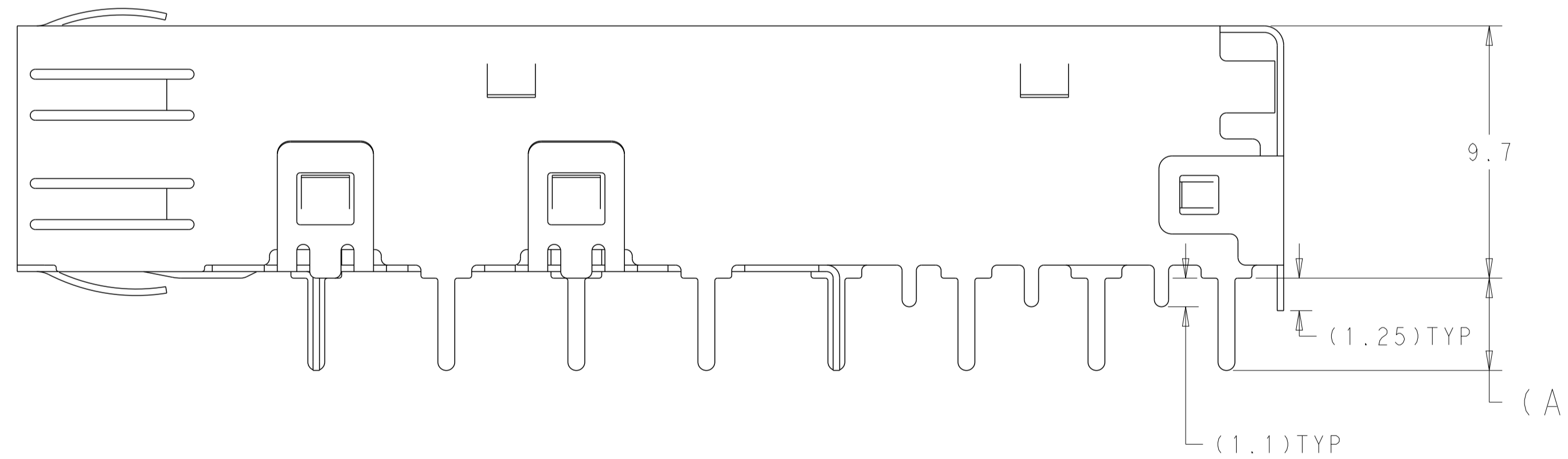
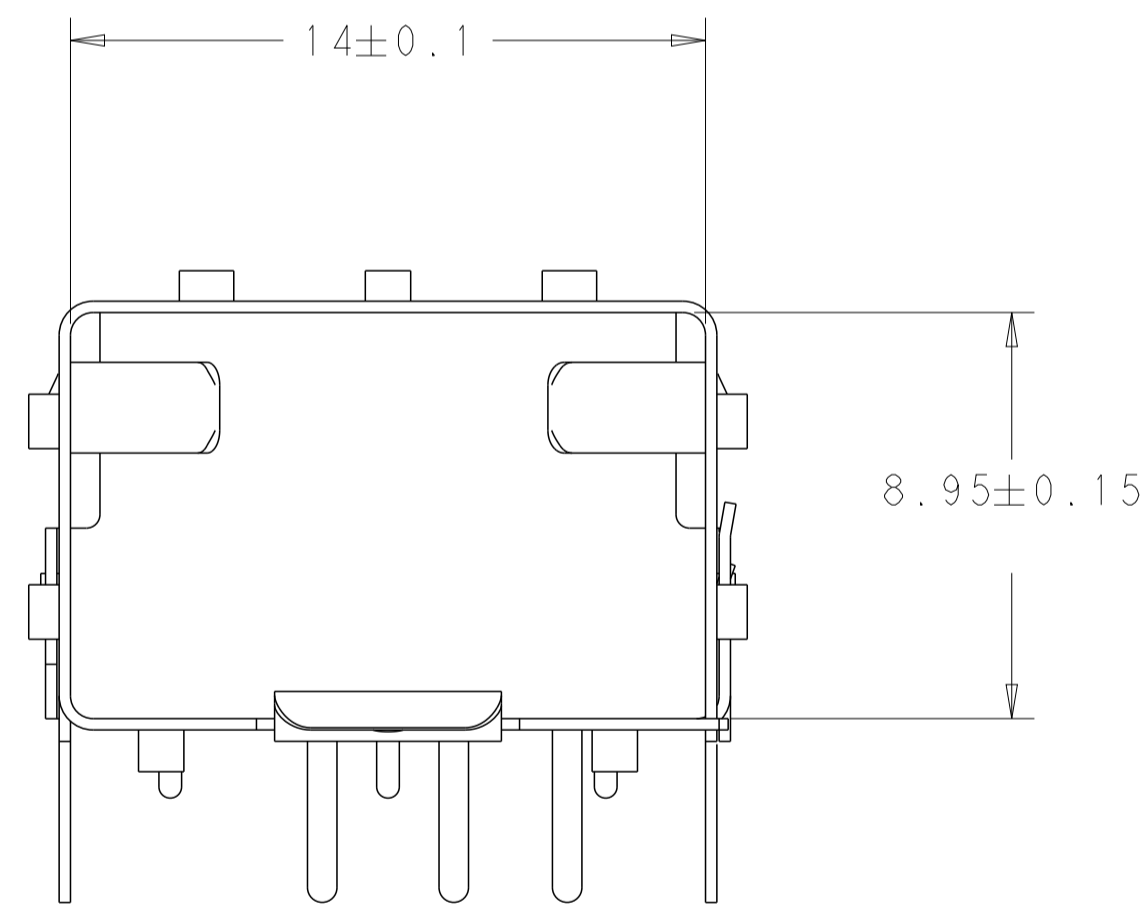
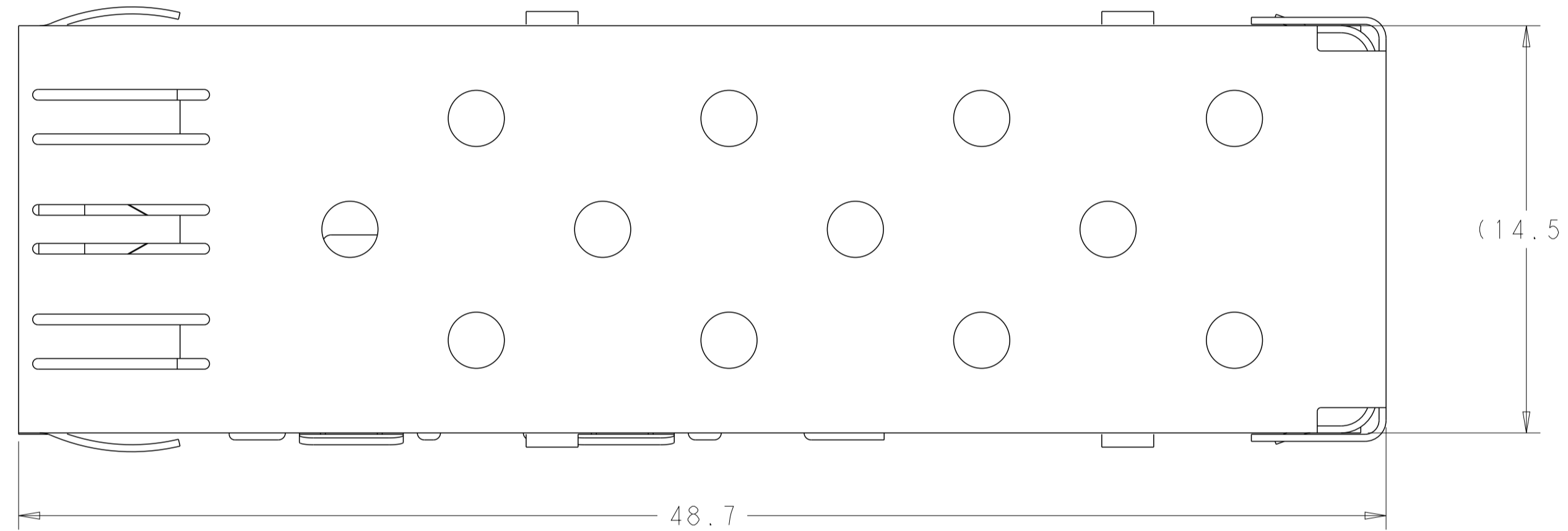


3-2227303-2

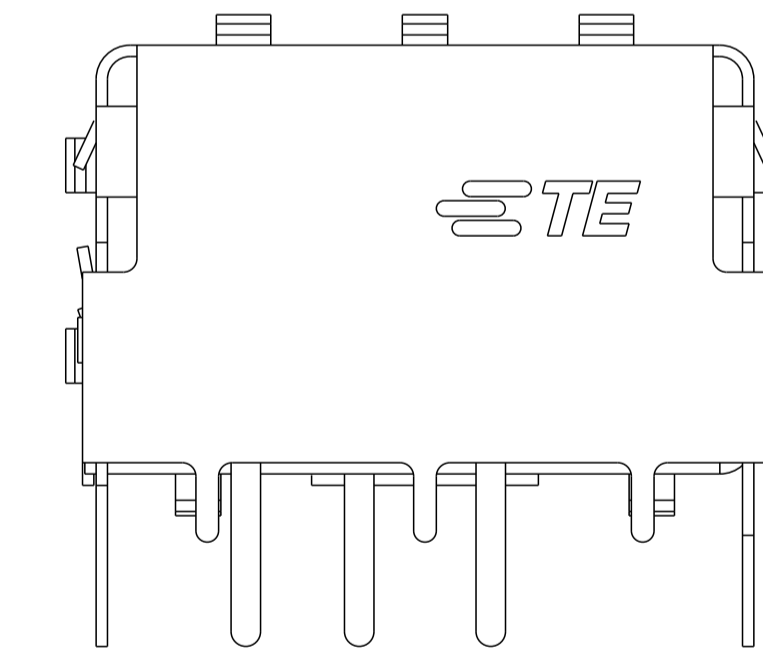
- △ MATERIAL: 0.25mm THICK STAINLESS STEEL.
- △ FINISH: 0.00125mm Min. NICKEL OVER ALL , 0.002mm Min. TIN DIPPED ON SOLDER TABS, NON PLATED EDGES PERMISSIBLE.
- 3. MATES WITH SFP MSA COMPLIANT TRANSCEIVERS.
- △ PADS AND VIAS CHASSIS GROUND.
- △ DATUM AND BASIC DIMENSION ESTABLISHED BY CUSTOMER.
- 6. MINIMUM PC BOARD THICKNESS:
SINGLE SIDED = 1.50 mm
- △ REFERENCE APPLICATION SPEC. 114-13120, HOLE A, FOR RECOMMENDED DRILL HOLE DIAMETER AND PLATING THICKNESS.
- △ REFERENCE APPLICATION SPEC. 114-13120, HOLE C, FOR RECOMMENDED DRILL HOLE DIAMETER AND PLATING THICKNESS.
- △ ESD PROTECTION PACKAGE.
- △ WITHOUT THREE LOCATION PINS
- △ WITHOUT EMI SPRING
- △ WITH CUSTOMIZED HEATSINK OPEN
- △ PRELIMINARY PART



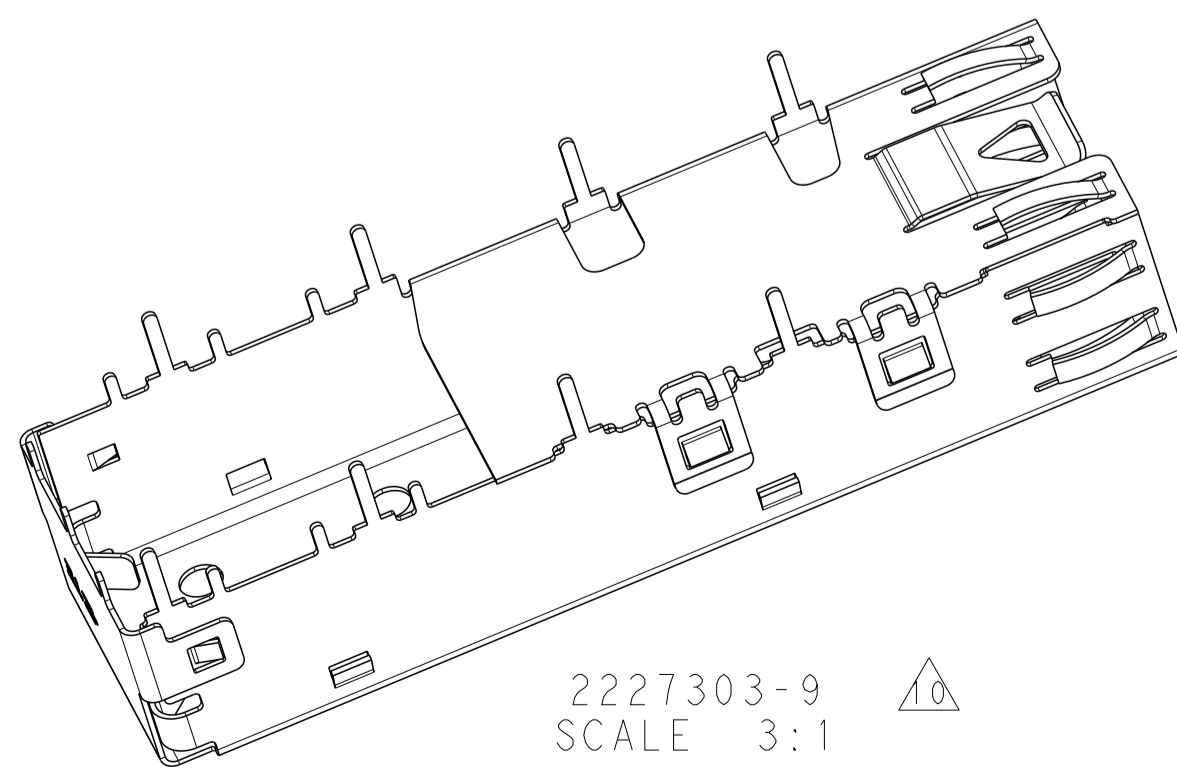
1-2227303-1



2-2227303-2, 2-2227303-4



WITHOUT EMI SPRING	REEL	1.80	3-2227303-2
WITH HEATSINK OPEN	△ REEL	1.25	2-2227303-4
WITH HEATSINK OPEN	△ REEL	1.25	2-2227303-2
OBSOLETE	WITHOUT EMI SPRING	△ TRAY	3.55 1-2227303-1
	WITHOUT LOCATION PIN	△ TRAY	3.55 2227303-9
	ALL PINS 3.55 LENGTH	△ TRAY	3.55 2227303-7
		REEL	1.25 1-2227303-3
	STANDARD TYPE WITH AIR VENTS, EMI SPRING, LOCATION PIN	△ REEL	1.80 1-2227303-2
		TRAY	1.80 2227303-3
		REEL	1.80 2227303-2
		TRAY	3.55 2227303-1
DESCRIPTION	PACKAGING	A	PART NUMBER



2227303-9
SCALE 3:1

THIS DRAWING IS A CONTROLLED DOCUMENT. DIMENSIONING AND TOLERANCING PER ASME Y14.5M-2009.

DIMENSIONS: mm
 TOLERANCES UNLESS OTHERWISE SPECIFIED:
 0 PLC ±0.1
 1 PLC ±0.1
 2 PLC ±0.1
 3 PLC ±0.1
 4 PLC ±0.1
 ANGLES ±°
 FINISH ±

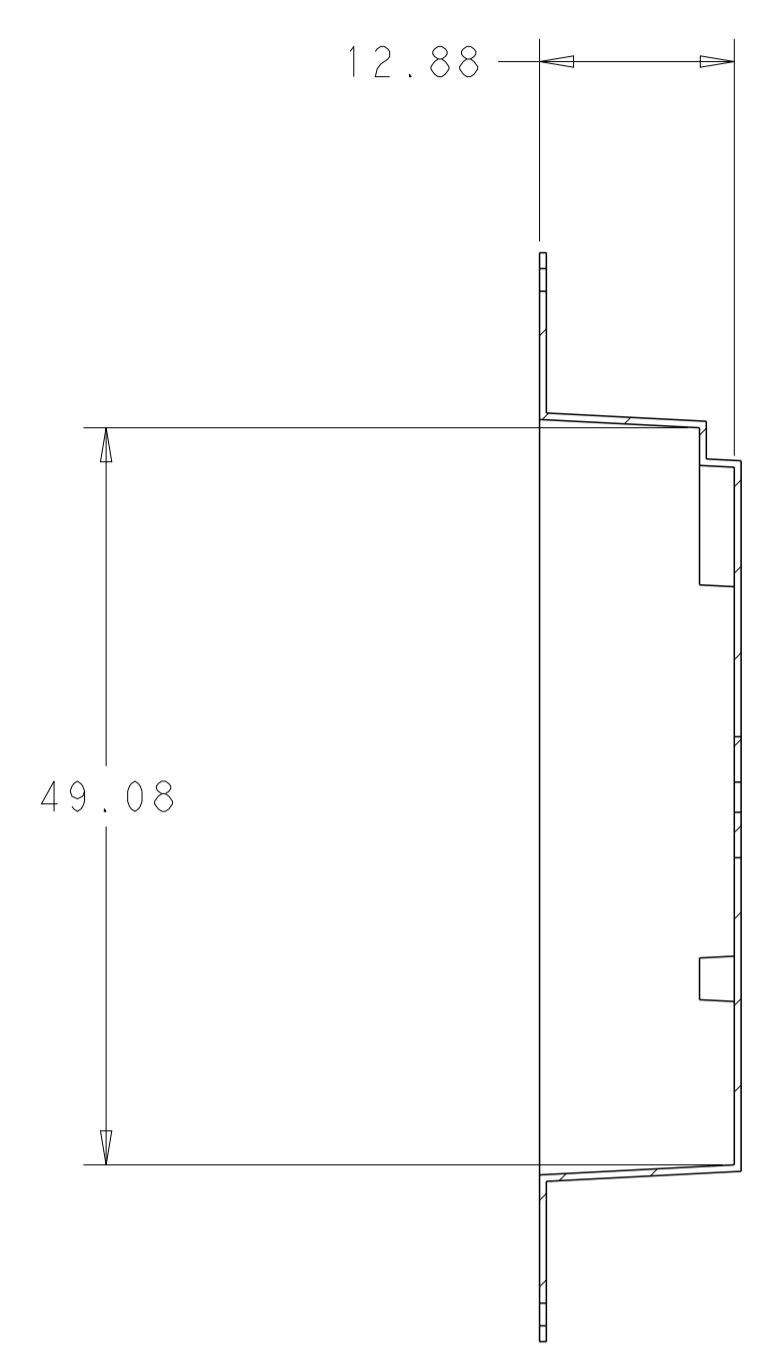
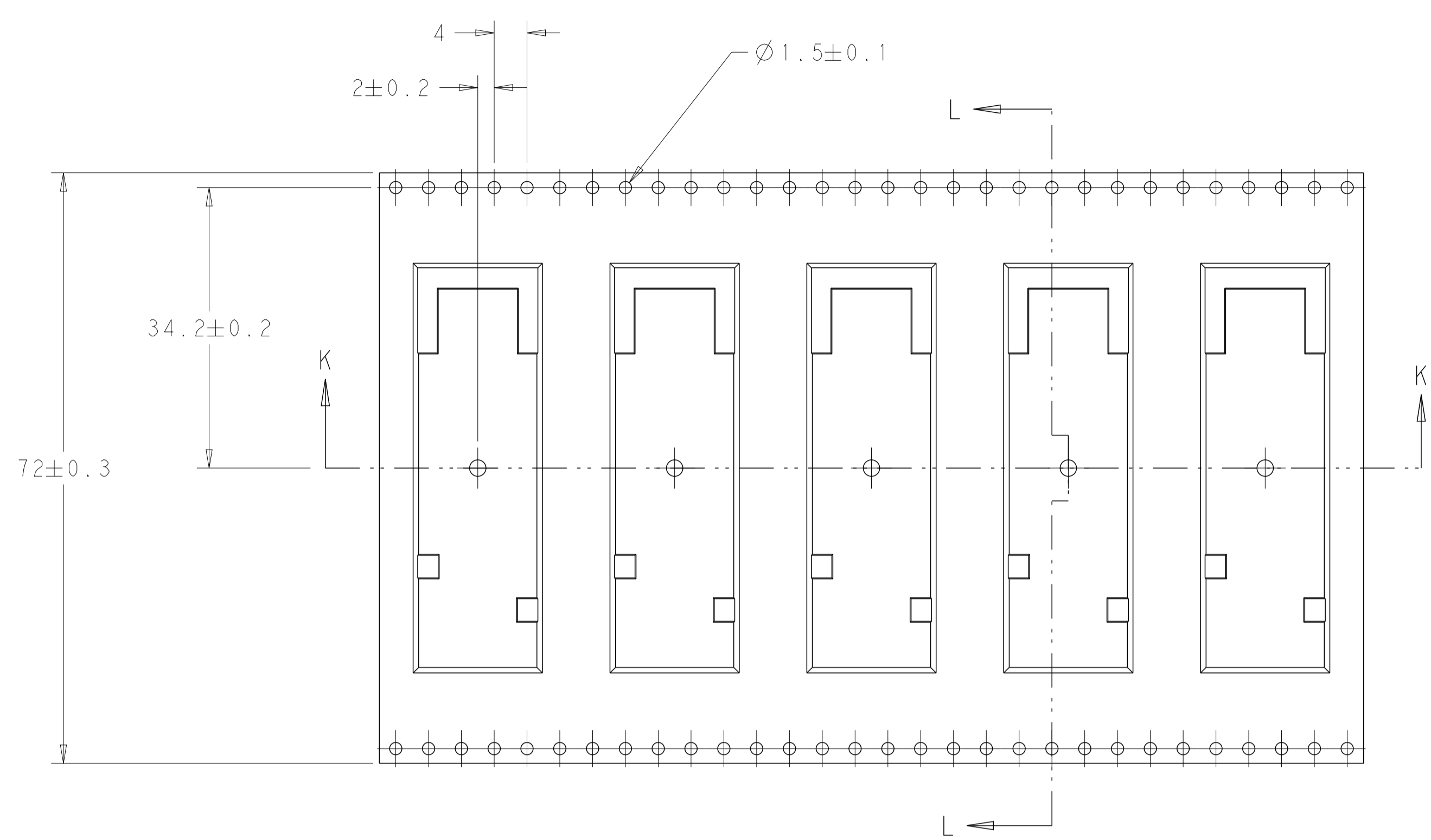
MATERIAL: -
 FINISH: -
 WEIGHT: -
 CUSTOMER DRAWING

DWN: C. VALENTINE 19OCT2012
 CHK: M. SCHMITT 19OCT2012
 APVD: M. SCHMITT 19OCT2012
 PRODUCT SPEC: 108-1950
 APPLICATION SPEC: 114-13120

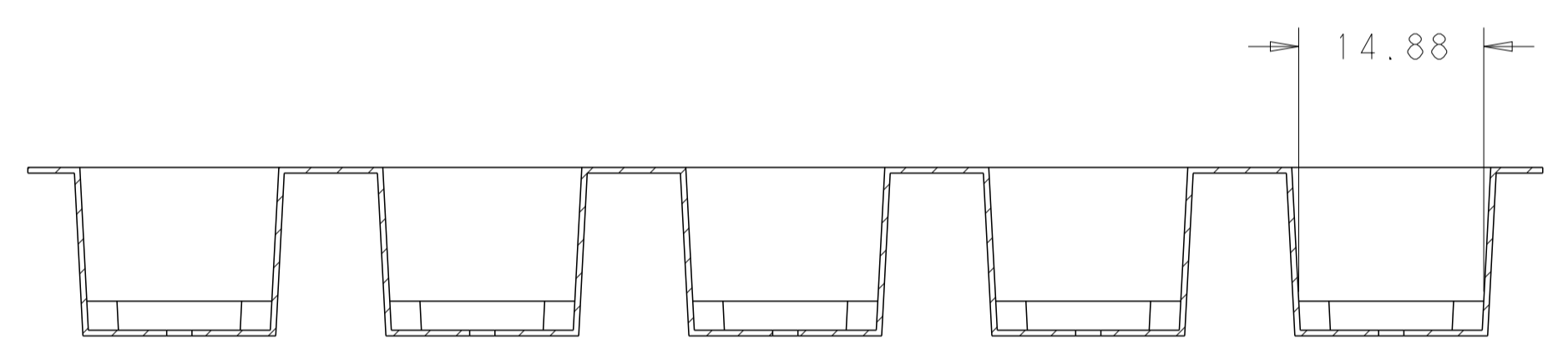
NAME: SFP, 1X1 SINGLE PIECE CAGE, SOLDER PIN
 SIZE: A | 00779 | C=2227303
 SCALE: 6:1 SHEET 1 OF 3 REV C4

STE TE Connectivity
 RESTRICTED TO

REVISIONS				
P	LTN	DESCRIPTION	DATE	APVD
-	-	SEE SHEET 1	-	-

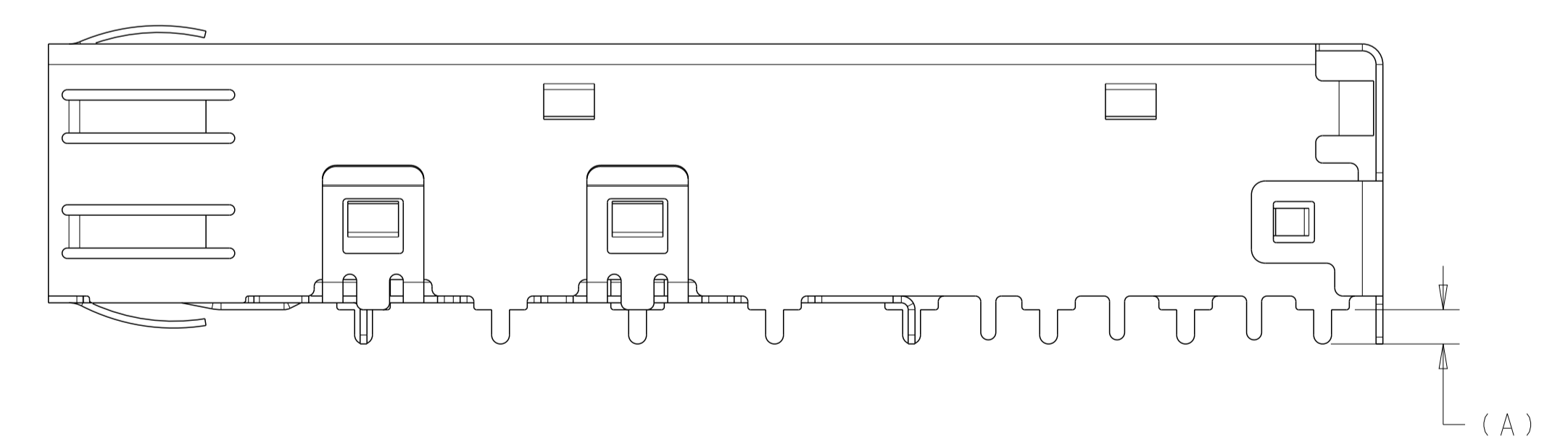
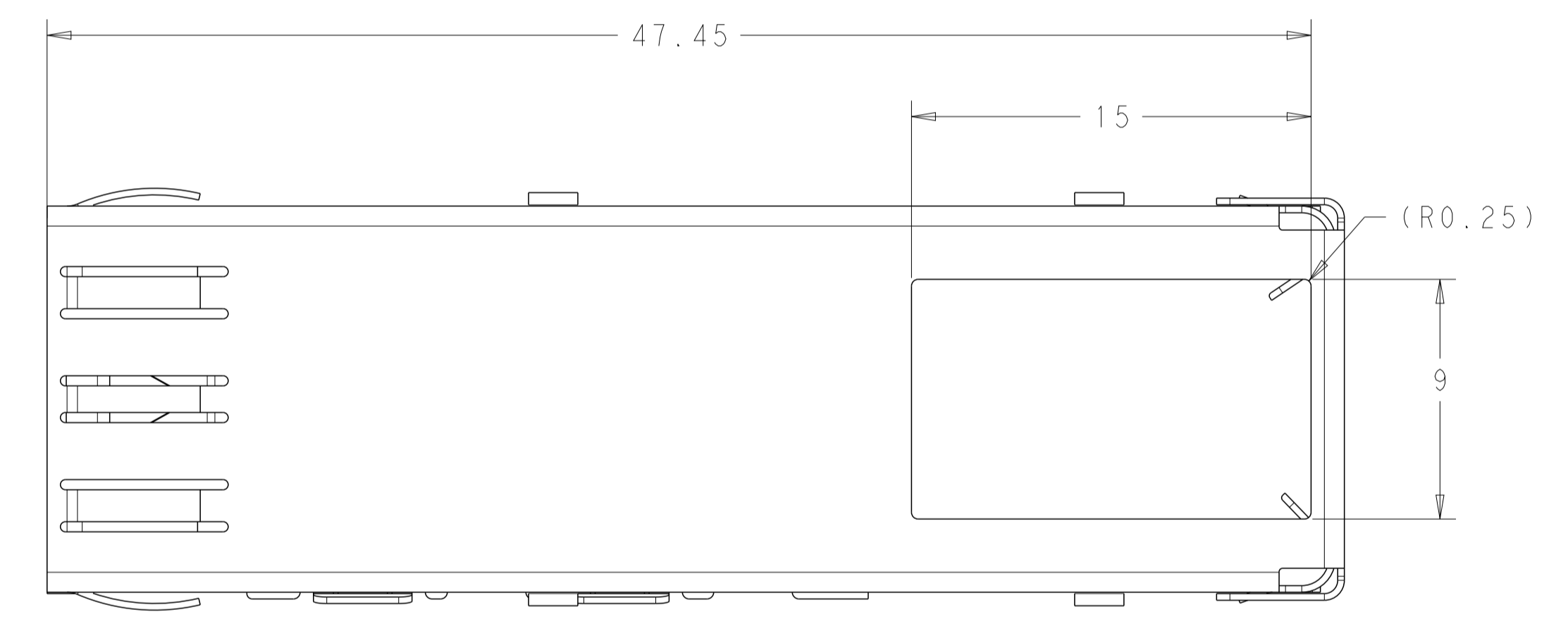


SECTION L-L

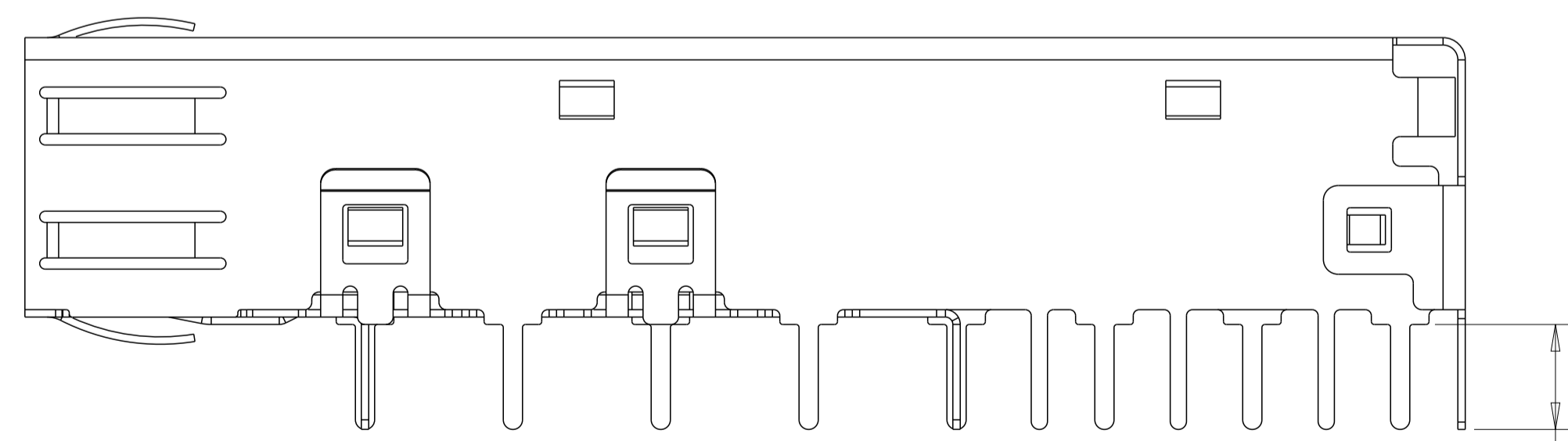
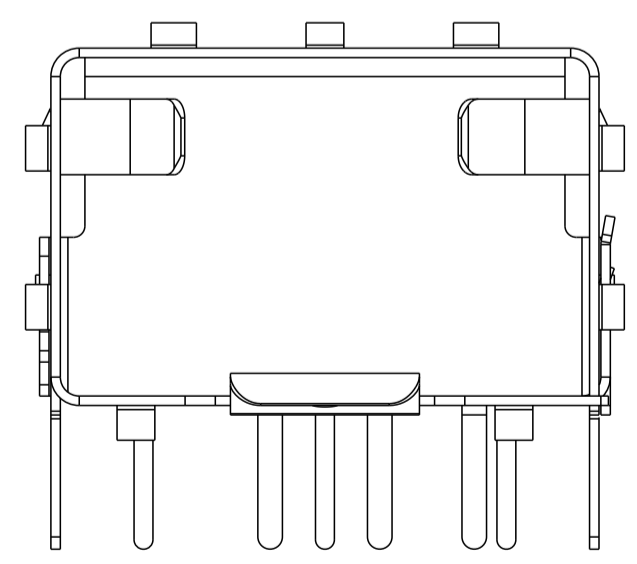


SECTION K-K
SCALE 2:1

2227303-2 / 1-222303-2 REEL PACKAGING



2-2227303-2 AS SHOWN
UNMARKED DIMENSIONS SAME AS 2227303-1
SCALE 5:1



(A)
APPLIED ALL PINS

2227303-7
UNMARKED DIMENSIONS SAME AS 2227303-1
SCALE 5:1

THIS DRAWING IS A CONTROLLED DOCUMENT. DIMENSIONING AND TOLERANCING PER: ASME Y14.5M 2009		DWN: C. VALENTINE 19OCT2012	TE Connectivity
DIMENSIONS: mm		CHK: M. SCHMITT 19OCT2012	
TOLERANCES UNLESS OTHERWISE SPECIFIED:		APVD: M. SCHMITT 19OCT2012	NAME: SFP, 1X1 SINGLE PIECE CAGE, SOLDER PIN
0 PLC	±0.1	PRODUCT SPEC	108-1950
1 PLC	±0.1	APPLICATION SPEC	114-13120
2 PLC	±0.1	SIZE	A 00779 C=2227303
3 PLC	±0.1	WEIGHT	SCALE 6:1 SHEET 3 OF 3 REV C4
4 PLC	±0.1	CUSTOMER DRAWING	
ANGLES	±°		
FINISH	±		