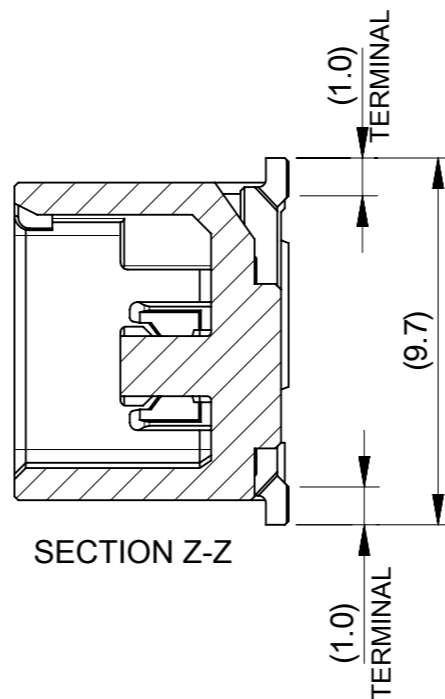
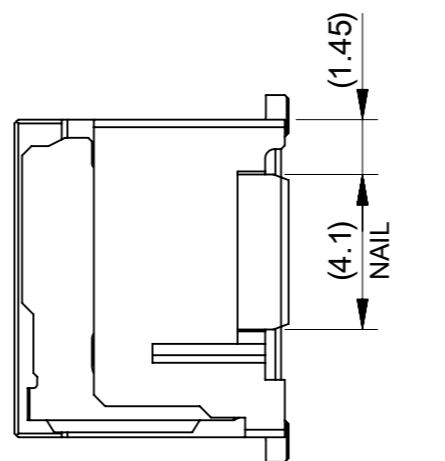
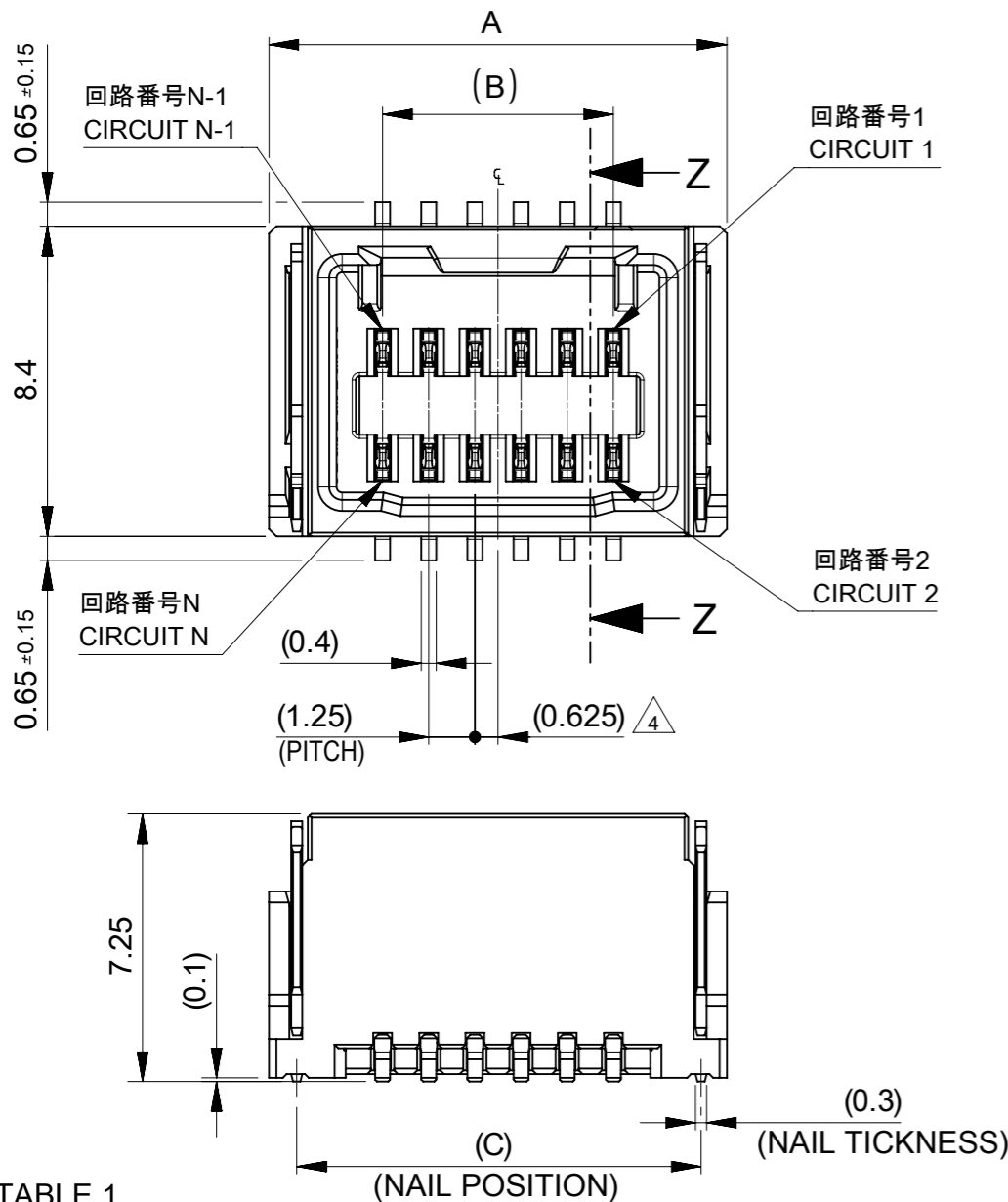


注記：  
NOTES：

- ① 材料及び仕上げ(めっき仕様)：TABLE 1, TABLE2 参照  
MATERIAL AND FINISHES (PLATING SPECIFICATION)：SEE TABLE 1, TABLE2.
- ② 製品仕様書、コネクタ取扱説明書、適合嵌合相手、適合リテーナーはSHEET 5を  
ご参照下さい。  
PLEASE REFER TO SHEET 5 FOR PRODUCT SPECIFICATION,  
APPLICATION SPECIFICATION, MATE WITH AND APPLICABLE RETAINER.
- 3. 端子テール部 及び ネイルの平坦度：0.12 MAXIMUM  
TAIL AND NAIL COPLANARITY TO BE 0.12 MAXIMUM
- ④ 極数 / 2 = 偶数に適合  
APPLY TO CIRCUIT SIZE / 2 = EVEN.
- ⑤ 発注番号：SHEET 5 参照  
ORDER NUMBER：PLEASE REFER TO SHEET 5



207760\*\*\*\*

番号 NO.	カバーテープ COVER TAPE	番号 NO.	ハウジングカラー HOUSING COLOR
7	無 WITHOUT	0	ナチュラル(白) NATURAL(WHITE)
8	有 WITH	1	黒 BLACK
		2	赤 RED
		4	青 BLUE

④ TABLE 1

番号 NO.	部品 PART	材質 MATERIAL	
①	ハウジング HOUSING	ポリアミド(PA) UL94V-0 色：SHEET 5参照 POLYAMIDE(PA) UL94V-0 COLOR：SEE SHEET 5	
②	ターミナル TERMINAL	黄銅 BRASS	
		接点部、テール部めっき CONTACT, TAIL PLATING	錫ビスマスめっき：1.0 MICROMETER MINIMUM TIN-BISMUTH PLATING
③	ネイル NAIL	黄銅 BRASS	
		テール部めっき TAIL PLATING	錫ビスマスめっき：1.0 MICROMETER MINIMUM TIN-BISMUTH PLATING
		下地めっき UNDER PLATING	ニッケルめっき：1.0 MICROMETER MINIMUM NICKEL PLATING (UNDER PLATING)

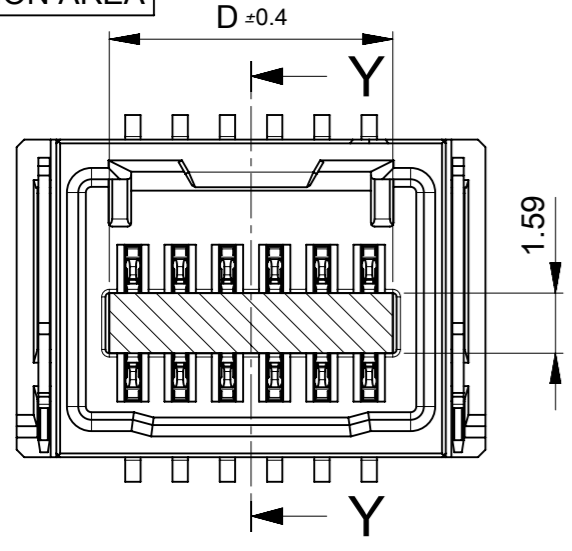
12.2	7.5	13.65	14
10.95	6.25	12.4	12
9.7	5	11.15	10
8.45	3.75	9.9	8
8.1	2.5	9.55	6
6.85	1.25	8.3	4
C	B	A	極数 CIRCUIT SIZE

THIS DRAWING CONTAINS INFORMATION THAT IS PROPRIETARY TO MOLEX ELECTRONIC TECHNOLOGIES, LLC AND SHOULD NOT BE USED WITHOUT WRITTEN PERMISSION

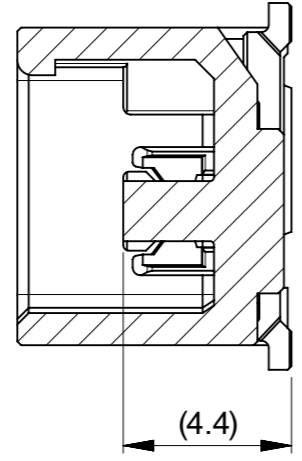
DIMENSION UNITS mm	SCALE NTS	CURRENT REV DESC: REMOVED OBSOLETE PART NUMBERS AS PER PCN#516659	<b>molex</b>		
GENERAL TOLERANCES (UNLESS SPECIFIED)					
ANGULAR TOL ± 3.0 °	4 PLACES ± 0.2	EC NO: 844075	PRODUCT CUSTOMER DRAWING		
3 PLACES ± 0.2	2 PLACES ± 0.2	DRWN: SAMPRS 2025/12/31	DOCUMENT NUMBER		
1 PLACE ± 0.2	0 PLACES ± 0.2	CHK'D: GGA 2026/02/10	DOC TYPE DOC PART REVISION		
DRAFT WHERE APPLICABLE MUST REMAIN WITHIN DIMENSIONS	THIRD ANGLE PROJECTION	APPR: GGA 2026/02/10	2077600000-SD PSD 000 C1		
		INITIAL REVISION: DRWN: TENAGASE 2019/05/31 APPR: KOMURAKAMI 2020/01/16	MATERIAL NUMBER CUSTOMER SHEET NUMBER		
			SEE SHEET 5 GENERAL 1 OF 5		



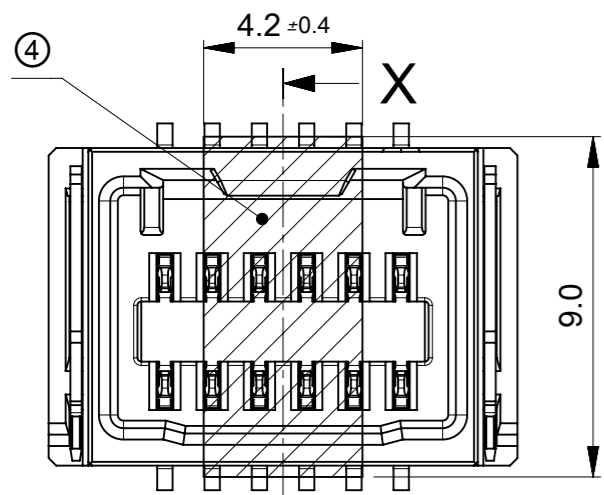
吸着エリア  
SUCTION AREA



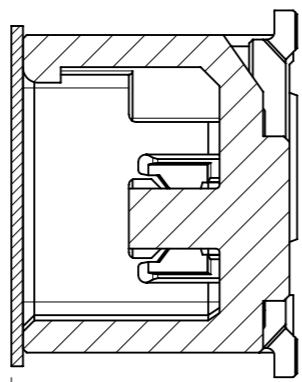
カバーテープ無  
WITHOUT COVER TAPE  
207760 \*\*7\*



SECTION Y-Y  
吸着高さ  
SUCTION HEIGHT

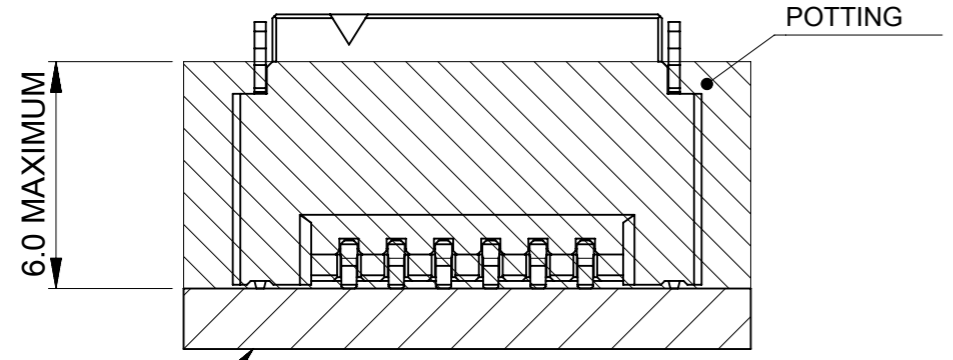


カバーテープ有  
WITH COVER TAPE  
207760 \*\*8\*

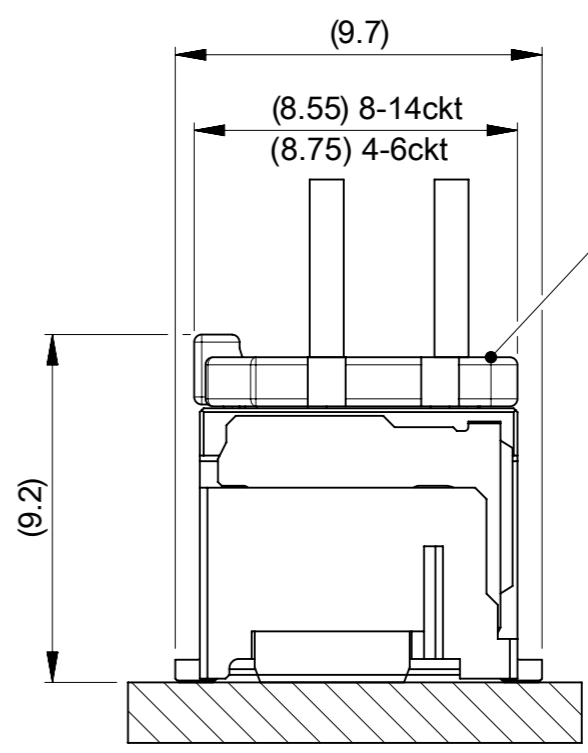
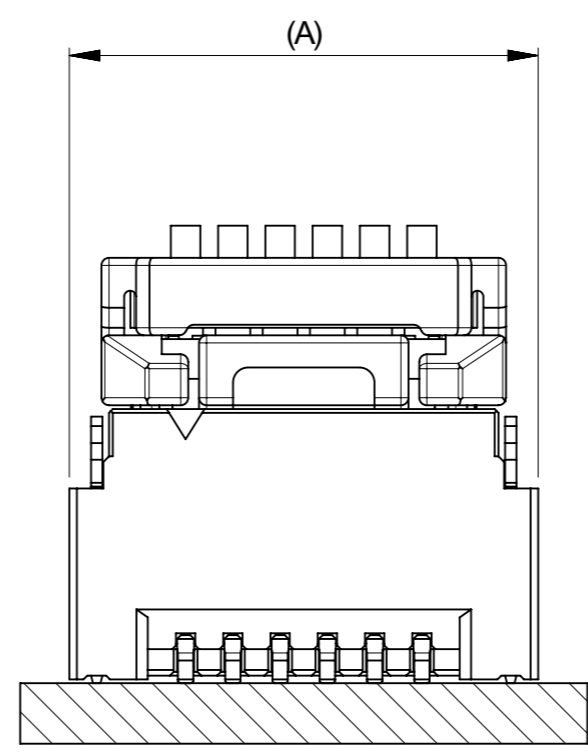
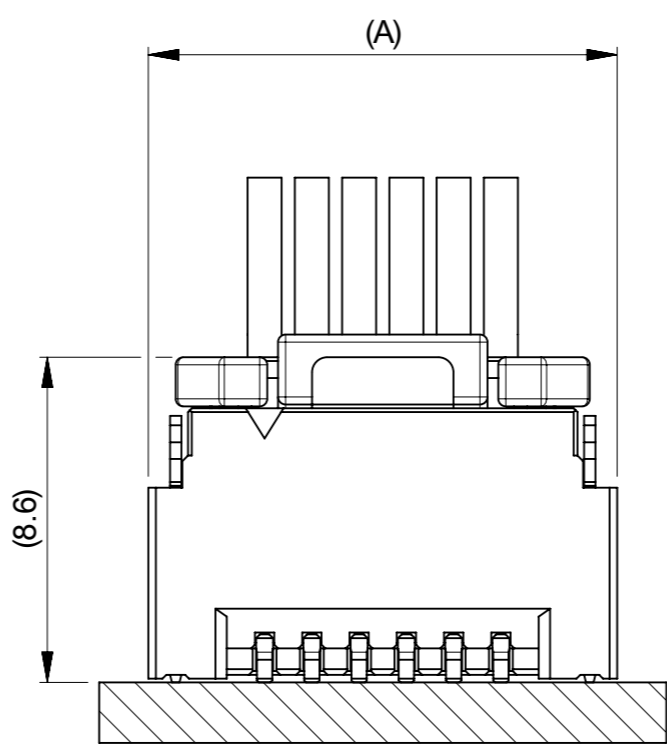


SECTION X-X  
カバーテープ高さ  
COVER TAPE HEIGHT

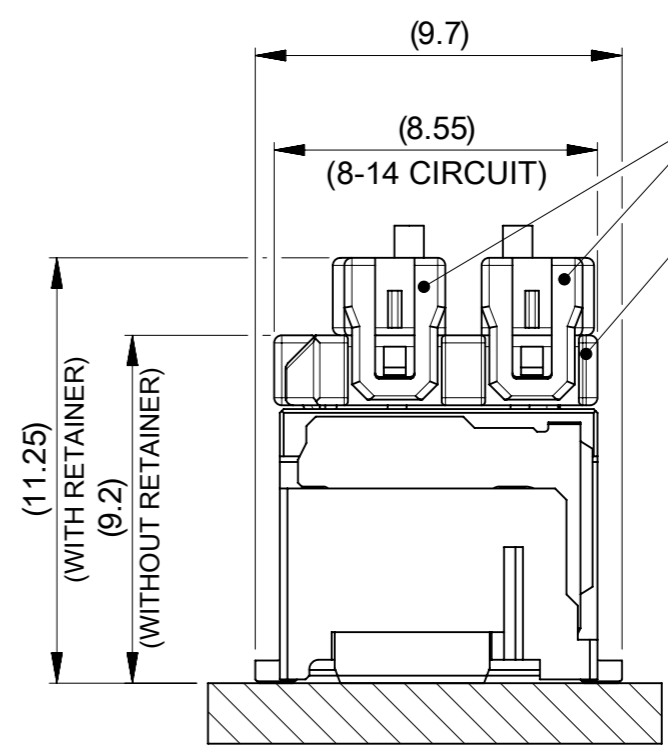
ポッティング高さ  
POTTING HEIGHT



嵌合状態図  
MATED CONNECTORS



② 嵌合相手 : 204523シリーズ  
MATE WITH : 204523 SERIES



② リテーナー : 214528シリーズ  
RETAINER : 214528 SERIES  
② 嵌合相手 : 214527シリーズ  
MATE WITH : 214527 SERIES

8.75	14	無 WITHOUT
7.5	12	
6.25	10	
5	8	
3.75	6	
2.5	4	
D	極数 CIRCUIT SIZE	カバーテープ COVER TAPE

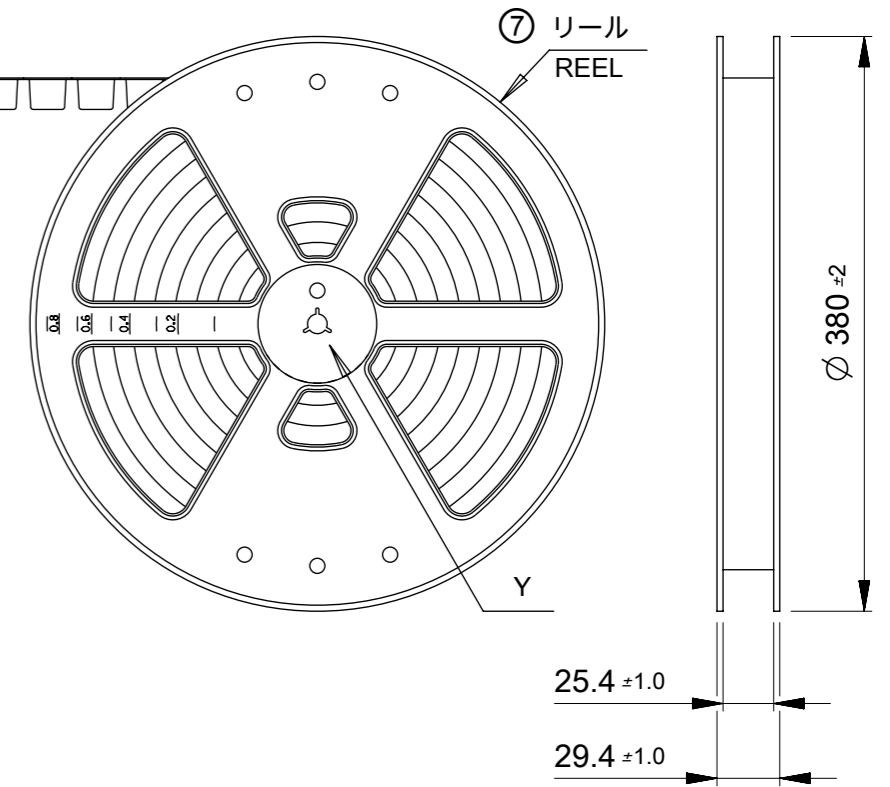
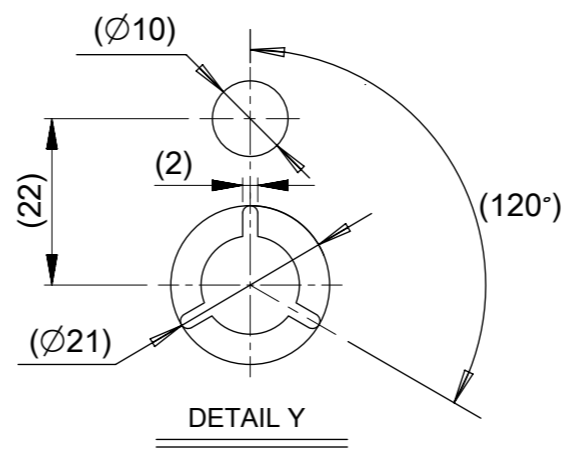
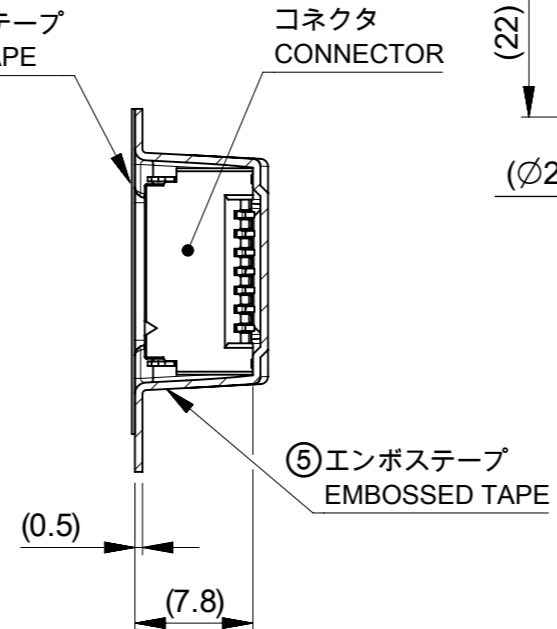
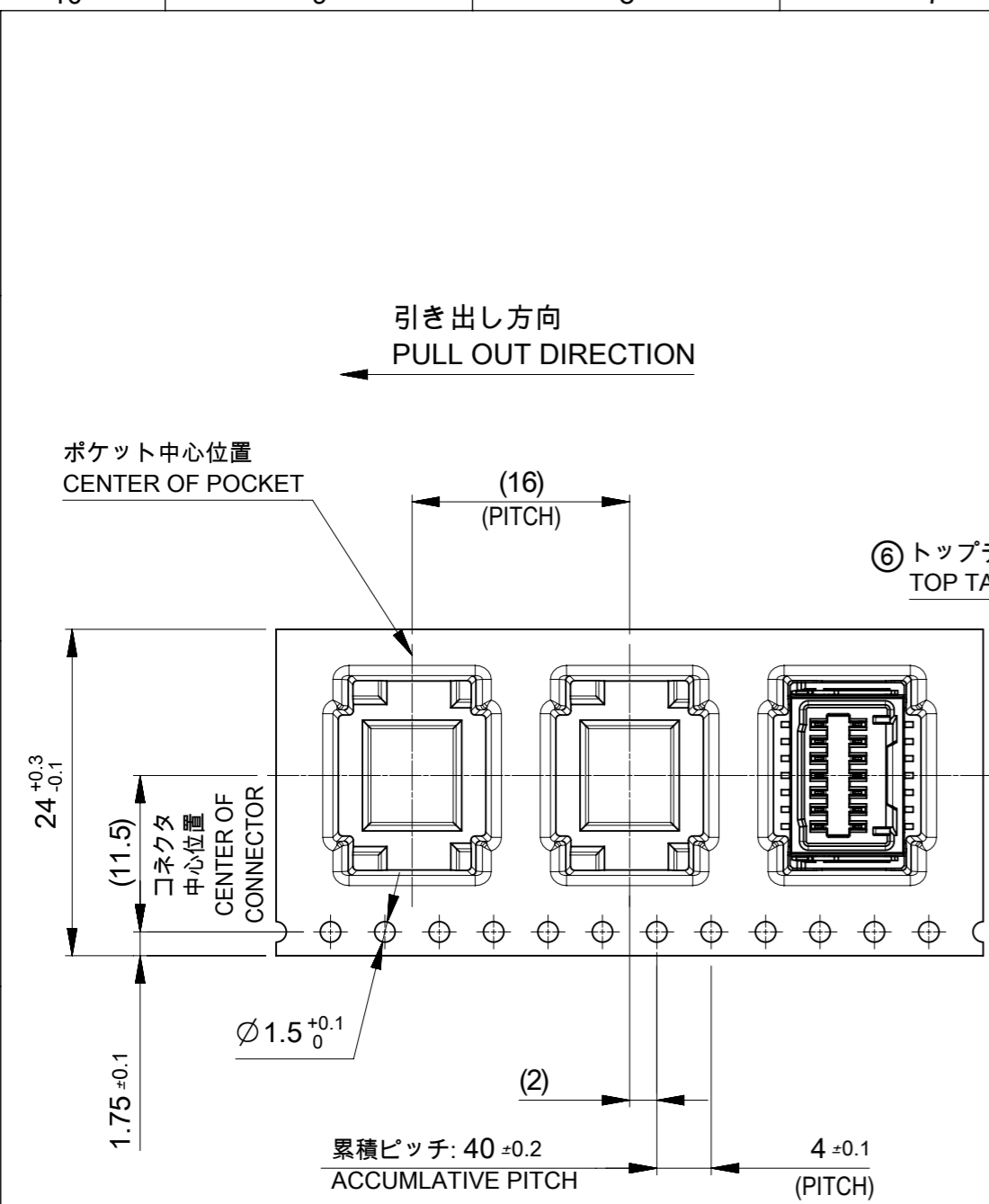
TABLE2

番号 NO.	部品 PART	材質 MATERIAL
④	カバーテープ COVER TAPE	ポリイミド POLYIMIDE

DOCUMENT STATUS P1 RELEASE DATE 2026/02/10 10:00:19

THIS DRAWING CONTAINS INFORMATION THAT IS PROPRIETARY TO MOLEX ELECTRONIC TECHNOLOGIES, LLC AND SHOULD NOT BE USED WITHOUT WRITTEN PERMISSION

DIMENSION UNITS mm	SCALE NTS	CURRENT REV DESC: REMOVED OBSOLETE PART NUMBERS AS PER PCN#516659	<b>molex</b>		
GENERAL TOLERANCES (UNLESS SPECIFIED)					
ANGULAR TOL ± 3.0 °	4 PLACES ± 0.2	DRWN: SAMPRS 2025/12/31	PRODUCT CUSTOMER DRAWING		
3 PLACES ± 0.2	2 PLACES ± 0.2	CHK'D: GGA 2026/02/10	DOCUMENT NUMBER		
2 PLACES ± 0.2	1 PLACE ± 0.2	APPR: GGA 2026/02/10	DOC TYPE DOC PART REVISION		
1 PLACE ± 0.2	0 PLACES ± 0.2	INITIAL REVISION: DRWN: TENAGASE 2019/05/31	2077600000-SD PSD 000 C1		
DRAFT WHERE APPLICABLE MUST REMAIN WITHIN DIMENSIONS	THIRD ANGLE PROJECTION	APPR: KOMURAKAMI 2020/01/16	MATERIAL NUMBER	CUSTOMER	SHEET NUMBER
			SEE SHEET 5	GENERAL	3 OF 5



注記 NOTES

- 6. 梱包数量 : 500個/リール  
NUMBER OF CONNECTORS : 500 PIECES/REEL.
- 7. リードテープ長さ  
LEAD TAPE LENGTH  
トップテープ接着部 (空部) 100 MIN.  
TOP TAPE BONDED PART (EMPTY)  
部品挿入部 COMPONENT SUPPLIER  
末端部(空部) TAIL PART (EMPTY) 160 MINIMUM
- 8. トップテープの剥離強度については、IEC60286-3に準拠  
TOP TAPE PEELING FORCE IS DEFINED BY IEC60286-3.

TABLE3

番号 NO.	部品 PART	材質 MATERIAL
⑤	エンボステープ EMBOSSED TAPE	ポリスチレン(PS) POLYSTYRENE(PS)
⑥	トップテープ TOP TAPE	ポリエチレン(PE)、その他 POLYETHYLENE(PE), etc
⑦	リール REEL	ポリスチレン(PS) <リサイクル材を含む> POLYSTYRENE(PS) < RECYCLE MATERIAL CONTAINED >

THIS DRAWING CONTAINS INFORMATION THAT IS PROPRIETARY TO MOLEX ELECTRONIC TECHNOLOGIES, LLC AND SHOULD NOT BE USED WITHOUT WRITTEN PERMISSION

DIMENSION UNITS mm	SCALE NTS	CURRENT REV DESC: REMOVED OBSOLETE PART NUMBERS AS PER PCN#516659			
GENERAL TOLERANCES (UNLESS SPECIFIED)					
ANGULAR TOL	± 3.0 °	EC NO: 844075	PRODUCT CUSTOMER DRAWING		
4 PLACES	± 0.2	DRWN: SAMPRS	2025/12/31		
3 PLACES	± 0.2	CHK'D: GGA	2026/02/10		
2 PLACES	± 0.2	APPR: GGA	2026/02/10		
1 PLACE	± 0.2	INITIAL REVISION:	DOCUMENT NUMBER		
0 PLACES	± 0.2	DRWN: TENAGASE	2019/05/31		
DRAFT WHERE APPLICABLE MUST REMAIN WITHIN DIMENSIONS			2020/01/16		
THIRD ANGLE PROJECTION			DRAWING	SERIES	MATERIAL NUMBER
A3-SIZE			207760	2077600000-SD	SEE SHEET 5
CUSTOMER			GENERAL	PSD	000
SHEET NUMBER			4 OF 5		

△ 2 適合製品及び各種仕様書 APPLICABLE PRODUCTS AND VARIOUS SPECIFICATIONS

梱包仕様書 PACKAGING SPECIFICATION		2077609200-SPK PS 200	
適合嵌合相手 MATE WITH	シリーズ番号 SERIES NUMBER	204523	214527
	リテーナー対応 RETAINER APPLICABLE	NOT COMPLIANT	COMPLIANT (NATURAL, BLACK)
適合リテーナーシリーズ番号 APPLICABLE RETAINER SERIES NUMBER		-	214528
製品仕様書 PRODUCT SPECIFICATION		2045230001-PS PS 000	2145270001-PS PS 000
コネクタ取扱説明書 APPLICATION SPECIFICATION		5054320000-AS PS 000	

△ 5 207760\*\*\*\* 発注番号一覧 ORDER NUMBER LIST

NOT COMPLIANT		COMPLIANT		LOW HALOGEN	WITH
BLUE	RED	BLACK	NATURAL (WHITE)	HOUSING COLOR	
---	---	2077601481	2077601480	14	WITH
---	---	2077601281	2077601280	12	
---	---	2077601081	2077601080	10	
---	---	2077600881	2077600880	8	
2077600684	2077600682	2077600681	2077600680	6	
2077600484	2077600482	2077600481	2077600480	4	WITHOUT
---	---	2077601471	2077601470	14	
---	---	2077601271	2077601270	12	
---	---	2077601071	2077601070	10	
---	---	2077600871	2077600870	8	
2077600674	2077600672	2077600671	2077600670	6	
2077600474	2077600472	2077600471	2077600470	4	
発注番号 ORDER NUMBER				極数 CIRCUIT SIZE	カバーテープ COVER TAPE
梱包形態 PACKAGING STYLE エンボステープ、リール EMBOSSED TAPE AND REEL					

THIS DRAWING CONTAINS INFORMATION THAT IS PROPRIETARY TO MOLEX ELECTRONIC TECHNOLOGIES, LLC AND SHOULD NOT BE USED WITHOUT WRITTEN PERMISSION

DIMENSION UNITS mm	SCALE NTS	CURRENT REV DESC: REMOVED OBSOLETE PART NUMBERS AS PER PCN#516659	<b>molex</b>		
GENERAL TOLERANCES (UNLESS SPECIFIED)					
ANGULAR TOL ± 3.0 °			MICRO-LOCK PLUS 1.25 W/B DUAL ROW VERTICAL SMT PLUG ASSEMBLY FOR POTTING		
4 PLACES ± 0.2		EC NO: 844075	PRODUCT CUSTOMER DRAWING		
3 PLACES ± 0.2		DRWN: SAMPRS 2025/12/31	DOCUMENT NUMBER		
2 PLACES ± 0.2		CHK'D: GGA 2026/02/10	2077600000-SD		
1 PLACE ± 0.2		APPR: GGA 2026/02/10	DOC TYPE	DOC PART	REVISION
0 PLACES ± 0.2		INITIAL REVISION: DRWN: TENAGASE 2019/05/31 APPR: KOMURAKAMI 2020/01/16	PSD	000	C1
DRAFT WHERE APPLICABLE MUST REMAIN WITHIN DIMENSIONS	THIRD ANGLE PROJECTION	DRAWING	SERIES	MATERIAL NUMBER	CUSTOMER
		A3-SIZE	207760	SEE CHART	GENERAL
					SHEET NUMBER 5 OF 5