


PART NUMBER	CKTS	QUANTITY PER BAG	BAGS PER CARTON	PARTS PER CARTON (SPQ)	MOISTURIZATION METHOD 	PANEL LOCK
215922-02*1	2	3000	4	12000	NO MOISTURIZATION	WITHOUT
215922-04*1	4	2600	4	10400		
215922-06*1	6	2000	4	8000		
215922-08*1	8	1700	4	6800		
215922-10*1	10	1400	4	5600		
215922-12*1	12	1000	4	4000		
215922-1401	14	800	4	3200		
215922-1601	16	800	4	3200		
215922-1801	18	600	4	2400		
215922-2001	20	600	4	2400		
215922-2201	22	600	4	2400		
215922-2401	24	450	4	1800		
215922-02*0	2	2000	4	8000	SEE SHEET 2	WITH
215922-04*0	4	1800	4	7200		
215922-06*0	6	1600	4	6400		
215922-08*0	8	1100	4	4400		
215922-10*0	10	1000	4	4000		
215922-12*0	12	900	4	3600		
215922-1400	14	800	4	3200		
215922-1600	16	700	4	2800		
215922-1800	18	600	4	2400		
215922-2000	20	600	4	2400		
215922-2200	22	400	4	1600		
215922-2400	24	350	4	1400		

TBD: NO PRODUCTION, TO BE ADDED AFTER BEING PRODUCED.

LEGEND

206461 - X X X X

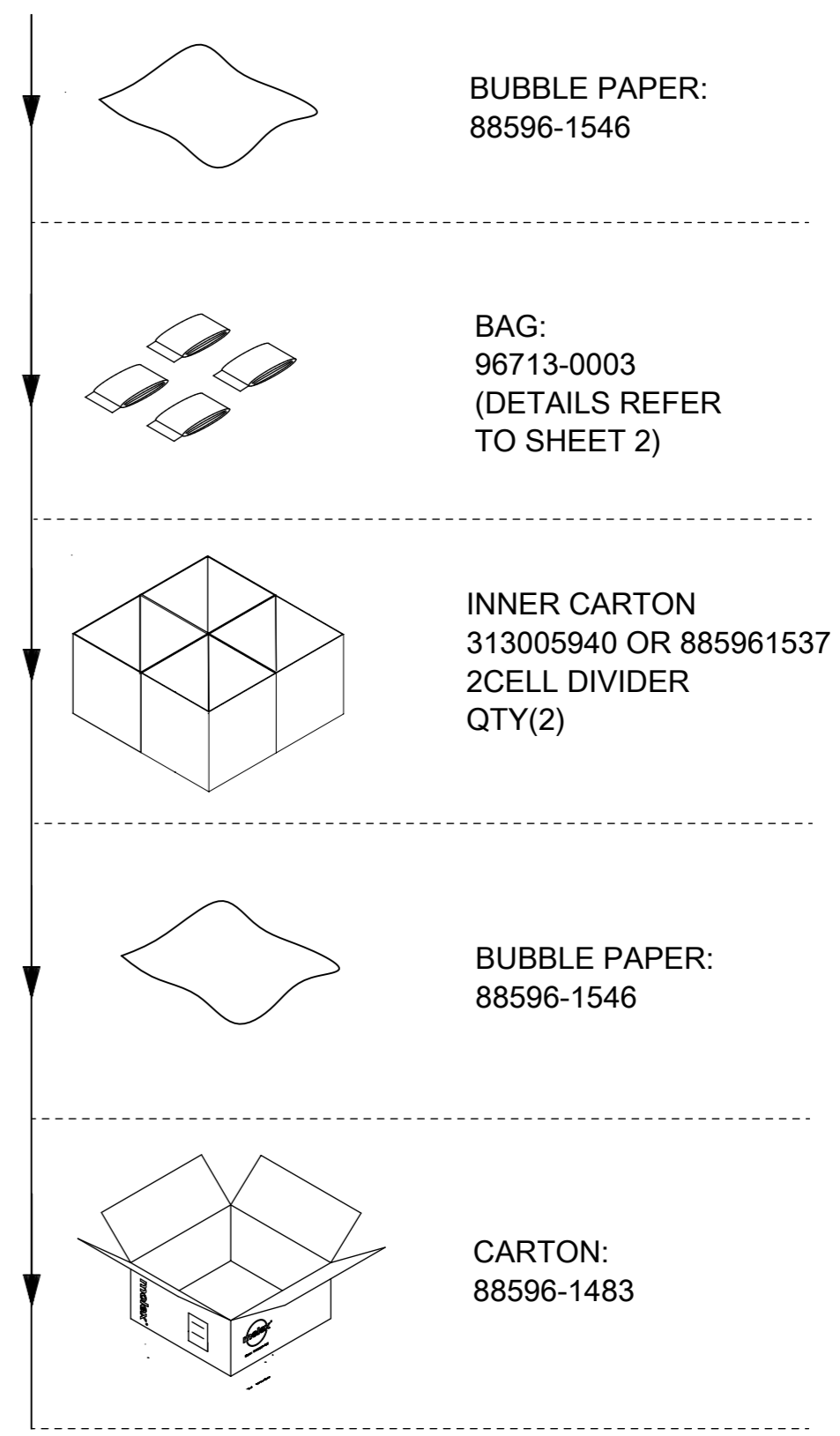
- 0 - PANEL MOUNT
- 1 - FREE HANGING

- POLARIZATION / COLOR
- 0- BLACK
- 1 - NATURAL
- 2 - RED
- 3 - BLUE
- 4- YELLOW

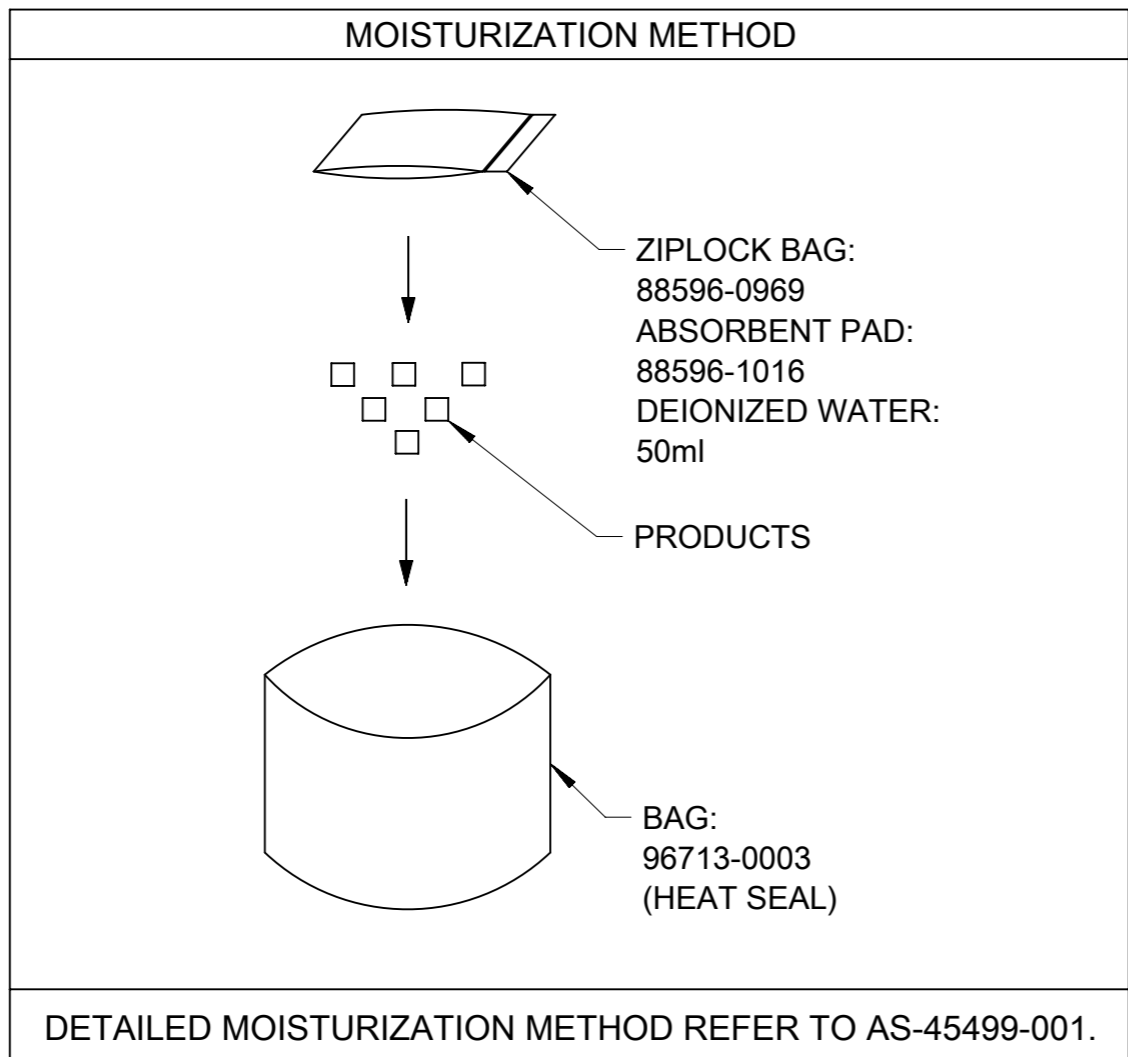
CKT SIZE 02-24

NOTES:

1. MOISTURIZATION METHOD DESCRIPTIONS REFER TO SHEET 2.
2. STANDARD PACKAGE QUANTITY (SPQ) SEE ABOVE CHART.
3. PACKAGE WAY FOLLOW RIGHT ILLUSTRATION.
4. ALL PACKAGE MATERIAL AND PRODUCT COMPLIANT TO RoHS DIRECTIVE 2011/65/EU AND ELV DIRECTIVE 2000/53/EC.



FUNCTIONAL SYMBOLS	THIS DRAWING CONTAINS INFORMATION THAT IS PROPRIETARY TO MOLEX ELECTRONIC TECHNOLOGIES, LLC AND SHOULD NOT BE USED WITHOUT WRITTEN PERMISSION		CURRENT REV DESC:		molex
	△/A = 0	DIMENSION UNITS: mm	SCALE: 1:1		
DIVISIONAL SYMBOLS	GENERAL TOLERANCES (UNLESS SPECIFIED)		EC NO: 736922		PACKING SPEC FOR MICRO-FIT PLUS WTW HSG
	△/E = 0	ANGULAR TOL ± °		DRWN: VENKAS5 2023/01/18	
	△/F = 0	4 PLACES ±	CHK'D: VENKAS5 2023/02/03		PRODUCT CUSTOMER DRAWING
		3 PLACES ± 0.1	APPR: MRAMAKRISHNA 2023/02/03		
		2 PLACES ± 0.3	INITIAL REVISION:		
	1 PLACE ± 0.5	DRWN: GLLI 2021/10/28		DOCUMENT NUMBER: 2159220000-PK	
	0 PLACES ±	APPR: XQZHANG 2021/11/15		DOC TYPE: PSD	
DRAFT WHERE APPLICABLE MUST REMAIN WITHIN DIMENSIONS		THIRD ANGLE PROJECTION	DRAWING: A3-SIZE	SERIES: 215922	DOC PART: 000
					CUSTOMER: 000
					REVISION: C
					SHEET NUMBER: 1 OF 2

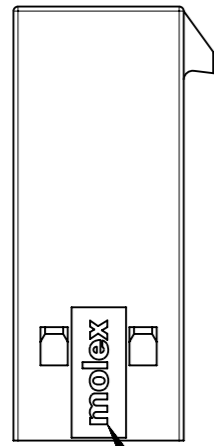


FUNCTIONAL SYMBOLS	THIS DRAWING CONTAINS INFORMATION THAT IS PROPRIETARY TO MOLEX ELECTRONIC TECHNOLOGIES, LLC AND SHOULD NOT BE USED WITHOUT WRITTEN PERMISSION		
$\nabla_A = 0$	DIMENSION UNITS	SCALE	CURRENT REV DESC: EC NO: 736922 DRWN: VENKAS5 CHK'D: VENKAS5 APPR: MRAMAKRISHNA INITIAL REVISION: DRWN: GLLI APPR: XQZHANG
$\nabla_F = 0$	mm	1:1	
$\nabla_P = 0$	GENERAL TOLERANCES (UNLESS SPECIFIED)		
	ANGULAR TOL	± °	
DIVISIONAL SYMBOLS	4 PLACES	±	2023/01/18 2023/02/03 2023/02/03 2021/10/28 2021/11/15
	3 PLACES	± 0.1	
	2 PLACES	± 0.3	
	1 PLACE	± 0.5	
	0 PLACES	±	
	DRAFT WHERE APPLICABLE MUST REMAIN WITHIN DIMENSIONS	THIRD ANGLE PROJECTION	DRAWING
	A3-SIZE	SERIES	MATERIAL NUMBER
		215922	CUSTOMER
			SHEET NUMBER
			2 OF 2

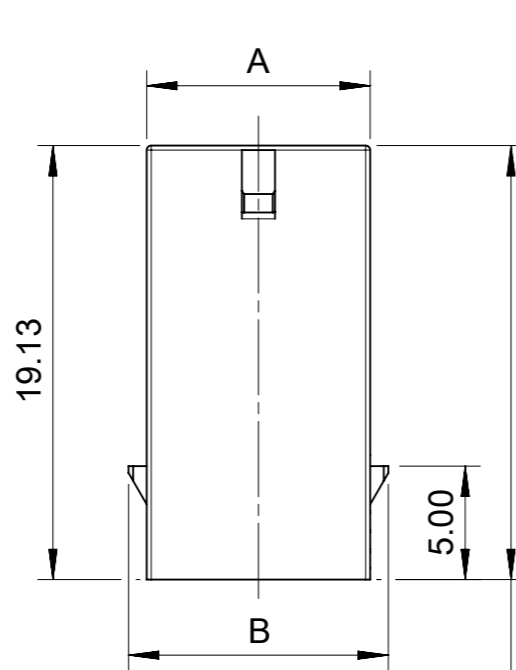
PACKING SPEC FOR MICRO-FIT PLUS WTW HSG

PRODUCT CUSTOMER DRAWING

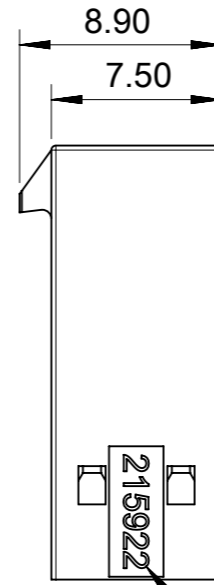
FREE HANGING PLUG PARTS



MOLEX LOGO

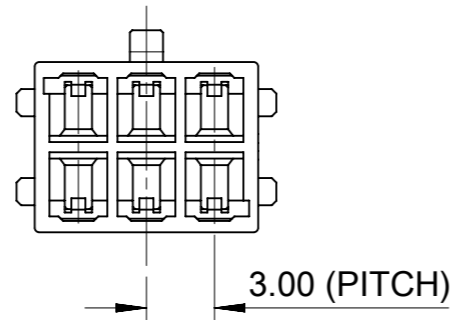
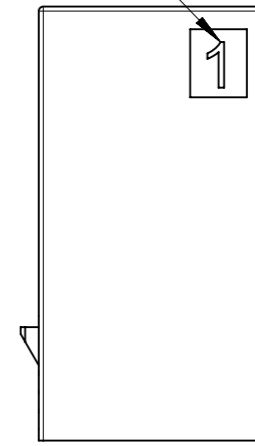


19.13 ±0.30
ONLY FOR
LOW HALOGEN



MOLEX SERIES NUMBER

FIRST CIRCUIT INDICATOR



3.00 (PITCH)

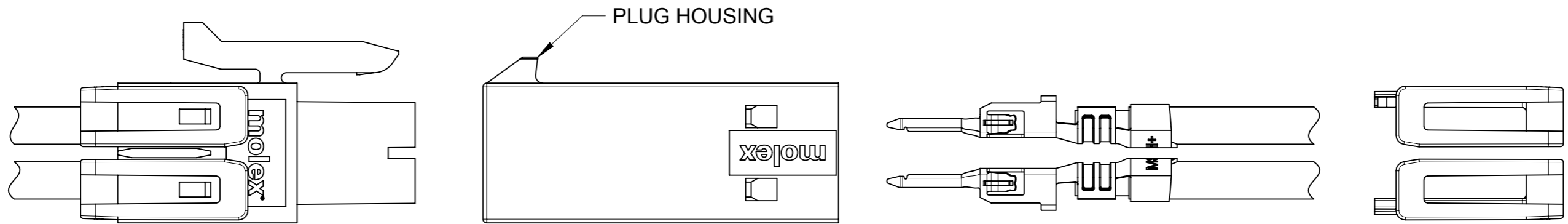
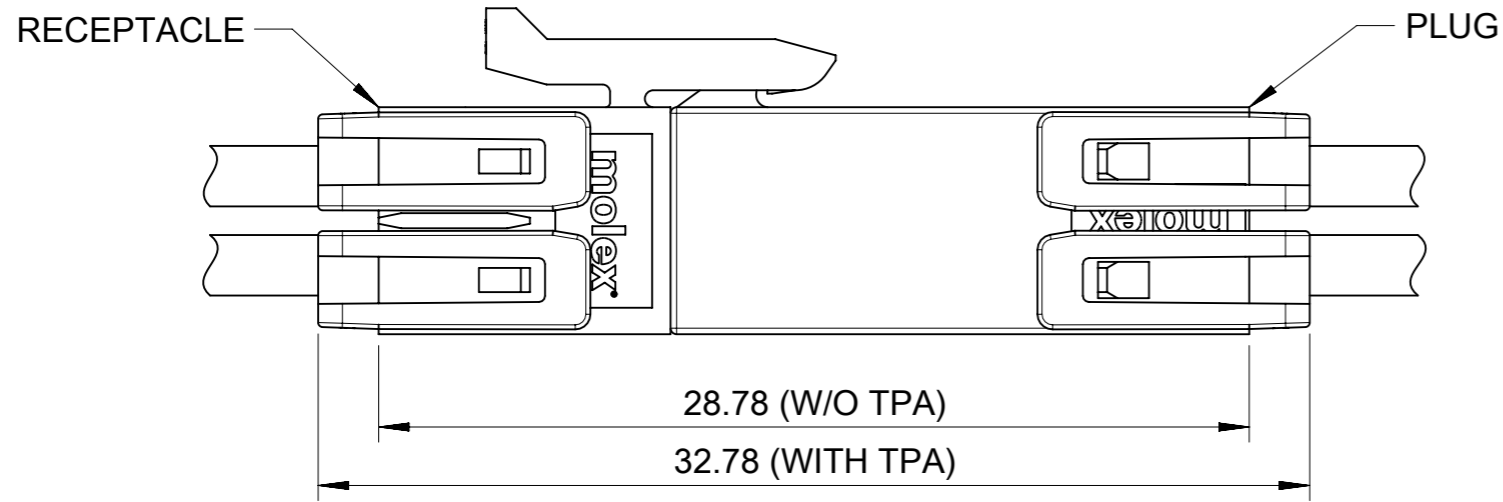
NOTES:

- MATERIAL: PA66, 94V-0,
COLOR : SEE TABLE IN SHEET5
LOW HALOGEN : SEE TABLE IN SHEET5
GLOW WIRE : SEE TABLE IN SHEET5
- PRODUCT SPECIFICATION: 2159530000-PS.
- PACKAGE SPECIFICATION: 2159220000-PK.
- TO USE WITH TERMINAL OF 215953****.
- TO USE WITH TPA OF 206462****.
- TO MATE WITH RECEPTACLE OF 206461****.
- PARTS CONFORM TO CLASS 'B' REQUIREMENTS OF COSMETIC SPECIFICATION PS-45499-002.

DIM'A'	DIM'B'	CKT SIZE
3.85	5.45	2
6.85	8.45	4
9.85	11.45	6
12.85	14.45	8
15.85	17.45	10
18.85	20.45	12
21.85	23.45	14
24.85	26.45	16
27.85	29.45	18
30.85	32.45	20
33.85	35.45	22
36.85	38.45	24

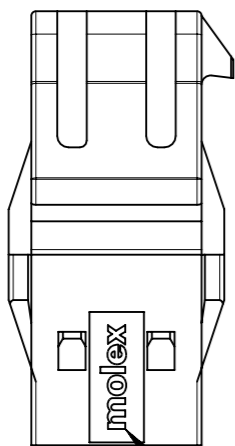
THIS DRAWING CONTAINS INFORMATION THAT IS PROPRIETARY TO MOLEX ELECTRONIC TECHNOLOGIES, LLC AND SHOULD NOT BE USED WITHOUT WRITTEN PERMISSION									
DIMENSION UNITS	SCALE	CURRENT REV DESC:							
mm	NTS								
GENERAL TOLERANCES (UNLESS SPECIFIED)		EC NO: 802117			PLUG HOUSING OF MICRO-FIT PLUS WTW DR POWER CONNECTOR				
ANGULAR TOL ± °		DRWN: GLLI 2024/02/19							
4 PLACES ±		CHK'D: XQZHANG 2024/11/13			PRODUCT CUSTOMER DRAWING				
3 PLACES ±		APPR: XQZHANG 2024/11/13							
2 PLACES ± 0.2		INITIAL REVISION:			DOCUMENT NUMBER		DOC TYPE	DOC PART	REVISION
1 PLACE ± 0.3		DRWN: GLLI 2021/01/29			2159220000-SD		PSD	000	B1
0 PLACES ±		APPR: XQZHANG 2021/11/15			MATERIAL NUMBER		CUSTOMER		SHEET NUMBER
DRAFT WHERE APPLICABLE MUST REMAIN WITHIN DIMENSIONS		THIRD ANGLE PROJECTION	DRAWING	SERIES	SEE TABLE		GENERAL MARKET		1 OF 6

FREE HANGING PLUG PARTS

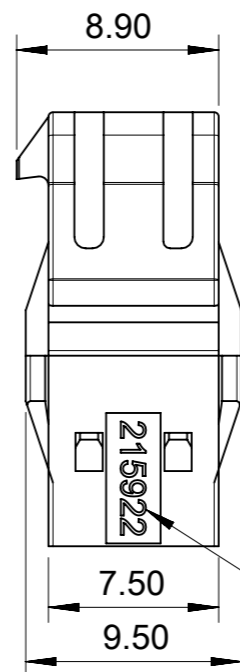
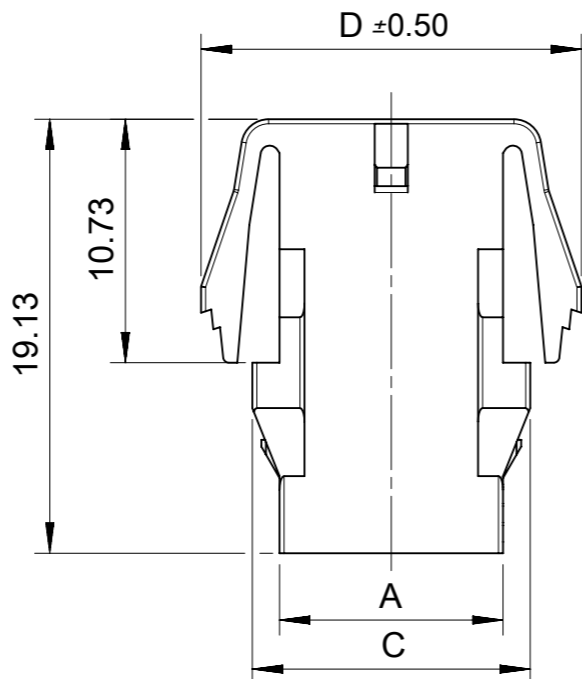


THIS DRAWING CONTAINS INFORMATION THAT IS PROPRIETARY TO MOLEX ELECTRONIC TECHNOLOGIES, LLC AND SHOULD NOT BE USED WITHOUT WRITTEN PERMISSION										
DIMENSION UNITS	SCALE	CURRENT REV DESC:					molex			
mm	NTS									
GENERAL TOLERANCES (UNLESS SPECIFIED)							PLUG HOUSING OF MICRO-FIT PLUS WTW DR POWER CONNECTOR			
ANGULAR TOL ± °							PRODUCT CUSTOMER DRAWING			
4 PLACES	±	EC NO: 802117					DOCUMENT NUMBER			
3 PLACES	±	DRWN: GLLI 2024/02/19					2159220000-SD			
2 PLACES	± 0.2	CHK'D: XQZHANG 2024/11/13					DOC TYPE			
1 PLACE	± 0.3	APPR: XQZHANG 2024/11/13					PSD			
0 PLACES	±	INITIAL REVISION:					DOC PART			
DRAFT WHERE APPLICABLE MUST REMAIN WITHIN DIMENSIONS		THIRD ANGLE PROJECTION		DRAWING	SERIES	MATERIAL NUMBER	CUSTOMER	REVISION		
				A3-SIZE	215922	SEE TABLE	GENERAL MARKET	B1		
								SHEET NUMBER		
								2 OF 6		

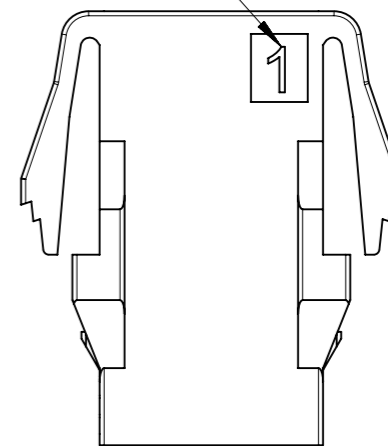
PANEL MOUNT PLUG PARTS



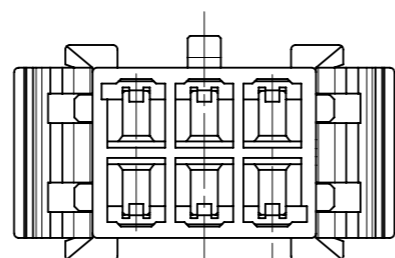
MOLEX LOGO



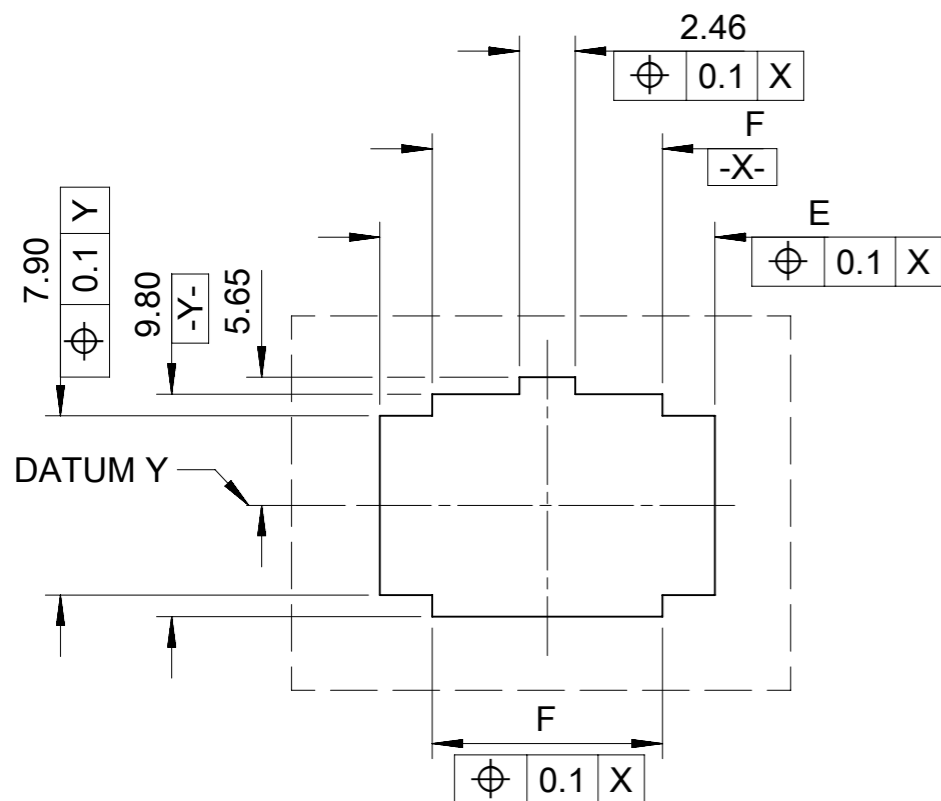
FIRST CIRCUIT INDICATOR



MOLEX SERIES NUMBER



3.00 (PITCH)



RECOMMENDED PANEL CUT OUT
(TOLERANCE +/-0.05 THICKNESS=1.2~2.2MM)

DIM 'A'	DIM 'C'	DIM 'D'	DIM 'E'	DIM 'F'	CKT SIZE
3.85	6.25	10.77	8.77	4.15	2
6.85	9.25	13.77	11.77	7.15	4
9.85	12.25	16.77	14.77	10.15	6
12.85	15.25	19.77	17.77	13.15	8
15.85	18.25	22.77	20.77	16.15	10
18.85	21.25	25.77	23.77	19.15	12
21.85	24.25	28.77	26.77	22.15	14
24.85	27.25	31.77	29.77	25.15	16
27.85	30.25	34.77	32.77	28.15	18
30.85	33.25	37.77	35.77	31.15	20
33.85	36.25	40.77	38.77	34.15	22
36.85	39.25	43.77	41.77	37.15	24

THIS DRAWING CONTAINS INFORMATION THAT IS PROPRIETARY TO MOLEX ELECTRONIC TECHNOLOGIES, LLC AND SHOULD NOT BE USED WITHOUT WRITTEN PERMISSION					
DIMENSION UNITS	SCALE	CURRENT REV DESC:			
mm	NTS				
GENERAL TOLERANCES (UNLESS SPECIFIED)					
ANGULAR TOL	±	°			
4 PLACES	±				
3 PLACES	±				
2 PLACES	±	0.2			
1 PLACE	±	0.3			
0 PLACES	±				
DRAFT WHERE APPLICABLE MUST REMAIN WITHIN DIMENSIONS		THIRD ANGLE PROJECTION	DRAWING	SERIES	MATERIAL NUMBER
			A3-SIZE	215922	SEE TABLE
		CUSTOMER		SHEET NUMBER	
		GENERAL MARKET		3 OF 6	

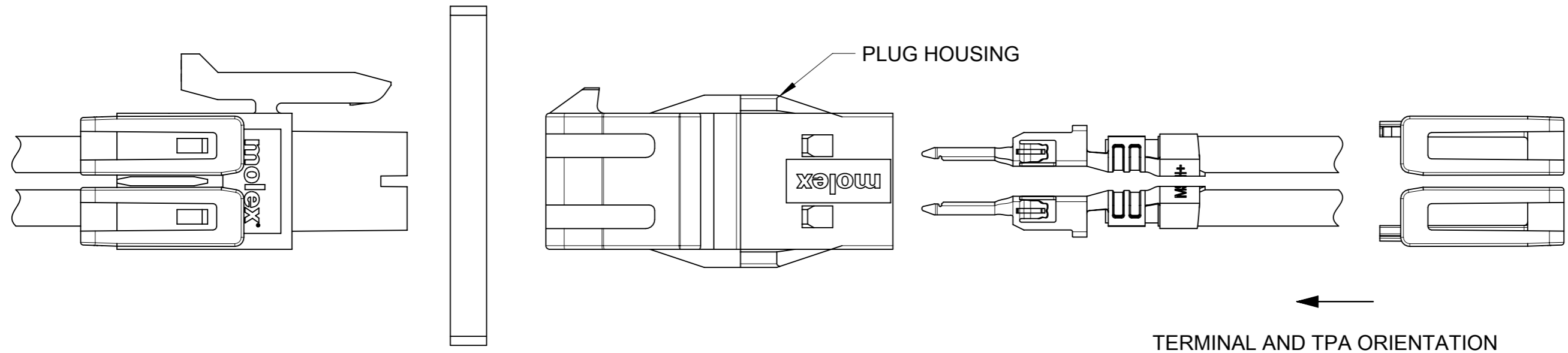
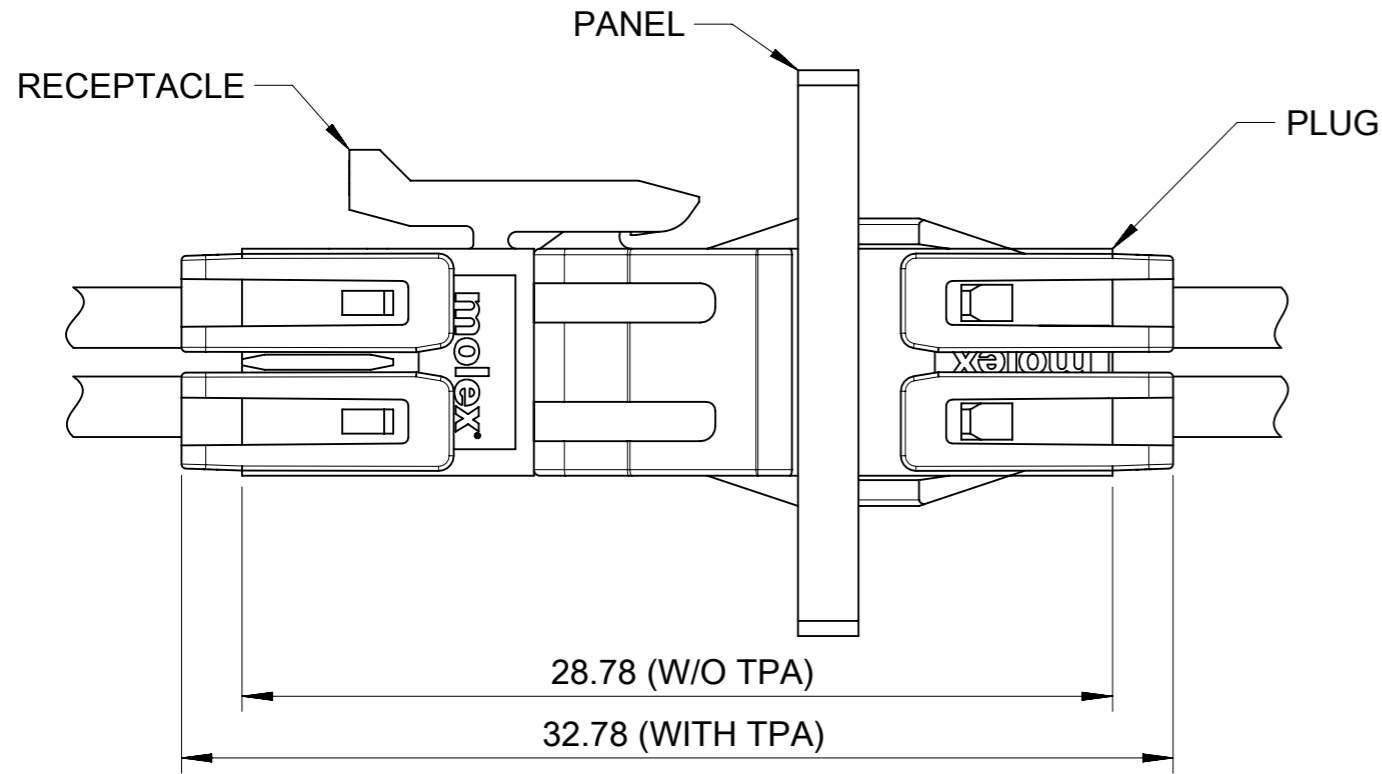
molex

PLUG HOUSING OF MICRO-FIT PLUS WTW DR
POWER CONNECTOR

PRODUCT CUSTOMER DRAWING

DOCUMENT NUMBER: 2159220000-SD
DOC TYPE: PSD
DOC PART: 000
REVISION: B1


PANEL MOUNT PLUG PARTS



THIS DRAWING CONTAINS INFORMATION THAT IS PROPRIETARY TO MOLEX ELECTRONIC TECHNOLOGIES, LLC AND SHOULD NOT BE USED WITHOUT WRITTEN PERMISSION									
DIMENSION UNITS		SCALE		CURRENT REV DESC:				molex	
mm		NTS							
GENERAL TOLERANCES (UNLESS SPECIFIED)								PLUG HOUSING OF MICRO-FIT PLUS WTW DR POWER CONNECTOR	
ANGULAR TOL ± °								PRODUCT CUSTOMER DRAWING	
4 PLACES ±				EC NO: 802117		2024/02/19		DOCUMENT NUMBER	
3 PLACES ±				DRWN: GLLI		2024/11/13		DOC TYPE	
2 PLACES ± 0.2				CHK'D: XQZHANG		2024/11/13		DOC PART	
1 PLACE ± 0.3				APPR: XQZHANG		2024/11/13		REVISION	
0 PLACES ±				INITIAL REVISION:				2159220000-SD	
DRAFT WHERE APPLICABLE MUST REMAIN WITHIN DIMENSIONS		THIRD ANGLE PROJECTION		DRAWING		SERIES		MATERIAL NUMBER	
		A3-SIZE		215922		CUSTOMER		GENERAL MARKET	
								SEE TABLE	
								4 OF 6	

FREE HANGING					
PART NUMBER	CKT	POLARIZATION	COLOR	LOW HALOGEN	GLOW WIRE
F	215922-0201	2	A	NO	YES
	215922-0211		B		
	215922-0221		C		
	215922-0231		D		
	215922-0241		E		
	215922-0401	4	A	NO	YES
	215922-0411		B		
	215922-0421		C		
E	215922-0431		D		
	215922-0441		E		
	215922-0451	A	BLACK	YES	NO
	215922-0601	6	A	NO	YES
	215922-0611		B		
	215922-0621		C		
	215922-0631		D		
	215922-0641		E		
D	215922-0801	8	A	NO	YES
	215922-0811		B		
	215922-0821		C		
	215922-0831		D		
	215922-0841		E		
	215922-1001	10	A	NO	YES
	215922-1011		B		
	215922-1021		C		
	215922-1031		D		
	215922-1041		E		
C	215922-1201	12	A	NO	YES
	215922-1211		B		
	215922-1221		C		
	215922-1231		D		
	215922-1241		E		
	215922-1401	14	A	NO	YES
	215922-1601	16	A	NO	YES
B	215922-1801	18	A	NO	YES
	215922-2001	20	A	NO	YES
	215922-2201	22	A	NO	YES
	215922-2401	24	A	NO	YES

PANEL MOUNT					
PART NUMBER	CKT	POLARIZATION	COLOR	LOW HALOGEN	GLOW WIRE
F	215922-0200	2	A	NO	YES
	2159220210		B		
	2159220220		C		
	2159220230		D		
	2159220240		E		
	215922-0400	4	A	NO	YES
	2159220410		B		
	2159220420		C		
	2159220430		D		
	2159220440		E		
	215922-0600	6	A	NO	YES
	2159220610		B		
	2159220620		C		
	2159220630		D		
	2159220640		E		
	215922-0800	8	A	NO	YES
	2159220810		B		
	2159220820		C		
	2159220830		D		
	2159220840		E		
	215922-1000	10	A	NO	YES
	2159221010		B		
	2159221020		C		
	2159221030		D		
	2159221040		E		
	215922-1200	12	A	NO	YES
	2159221210		B		
	2159221220		C		
	2159221230		D		
	2159221240		E		
	215922-1400	14	A	NO	YES
	215922-1600	16	A	NO	YES
	215922-1800	18	A	NO	YES
	215922-2000	20	A	NO	YES
	215922-2200	22	A	NO	YES
	215922-2400	24	A	NO	YES

THIS DRAWING CONTAINS INFORMATION THAT IS PROPRIETARY TO MOLEX ELECTRONIC TECHNOLOGIES, LLC AND SHOULD NOT BE USED WITHOUT WRITTEN PERMISSION					
DIMENSION UNITS mm		SCALE NTS		CURRENT REV DESC:	
GENERAL TOLERANCES (UNLESS SPECIFIED)		ANGULAR TOL ± °		 PLUG HOUSING OF MICRO-FIT PLUS WTW DR POWER CONNECTOR PRODUCT CUSTOMER DRAWING	
4 PLACES	±	3 PLACES	±		
2 PLACES	± 0.2	1 PLACE	± 0.3		
0 PLACES	±	INITIAL REVISION:			
DRAFT WHERE APPLICABLE MUST REMAIN WITHIN DIMENSIONS		THIRD ANGLE PROJECTION			
DOCUMENT STATUS P1		RELEASE DATE 2024/11/13 05:00:52		EC NO: 802117 DRWN: GLLI 2024/02/19 CHK'D: XQZHANG 2024/11/13 APPR: XQZHANG 2024/11/13 DRWN: GLLI 2021/01/29 APPR: XQZHANG 2021/11/15 2159220000-SD PSD 000 B1 SEE TABLE GENERAL MARKET 5 OF 6	

CKT	POLARIZATION "A" - BLACK	POLARIZATION "B" - NATURAL	POLARIZATION "C" - RED	POLARIZATION "D" - BLUE	POLARIZATION "E" - YELLOW
2					
4					
6					
8					
10					
12					

CKT	POLARIZATION "A" - BLACK
14	
16	
18	
20	
22	
24	

THIS DRAWING CONTAINS INFORMATION THAT IS PROPRIETARY TO MOLEX ELECTRONIC TECHNOLOGIES, LLC AND SHOULD NOT BE USED WITHOUT WRITTEN PERMISSION

DIMENSION UNITS	SCALE	CURRENT REV DESC:					
mm	NTS						
GENERAL TOLERANCES (UNLESS SPECIFIED)				PLUG HOUSING OF MICRO-FIT PLUS WTW DR POWER CONNECTOR			
ANGULAR TOL	±	°		PRODUCT CUSTOMER DRAWING			
4 PLACES	±			DOCUMENT NUMBER			
3 PLACES	±			2159220000-SD			
2 PLACES	±	0.2		DOC TYPE			
1 PLACE	±	0.3		PSD			
0 PLACES	±			DOC PART			
DRAFT WHERE APPLICABLE MUST REMAIN WITHIN DIMENSIONS				REVISION			
THIRD ANGLE PROJECTION				000			
DRAWING				SERIES			
A2-SIZE				215922			
MATERIAL NUMBER				CUSTOMER			
SEE TABLE				GENERAL MARKET			
SHEET NUMBER				6 OF 6			