

© - TE Connectivity. All Rights Reserved.

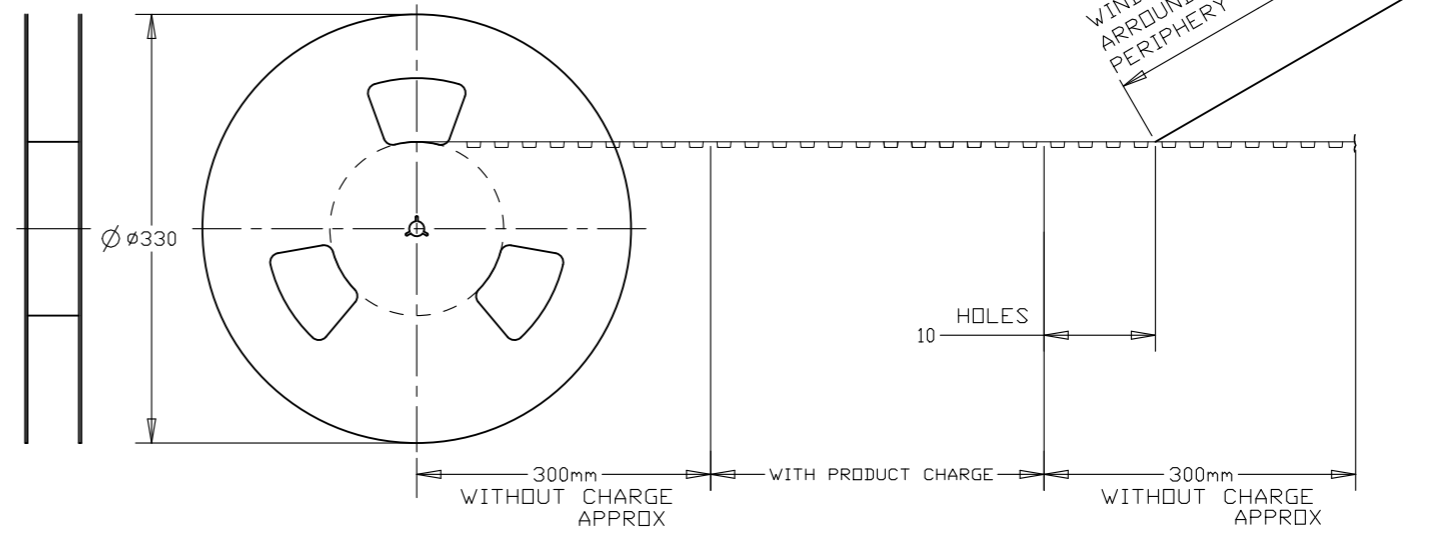
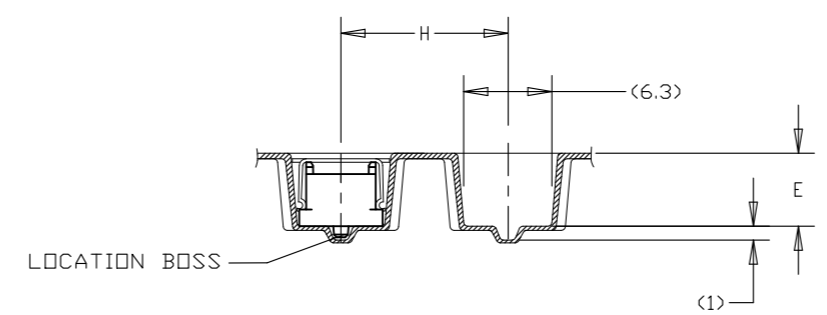
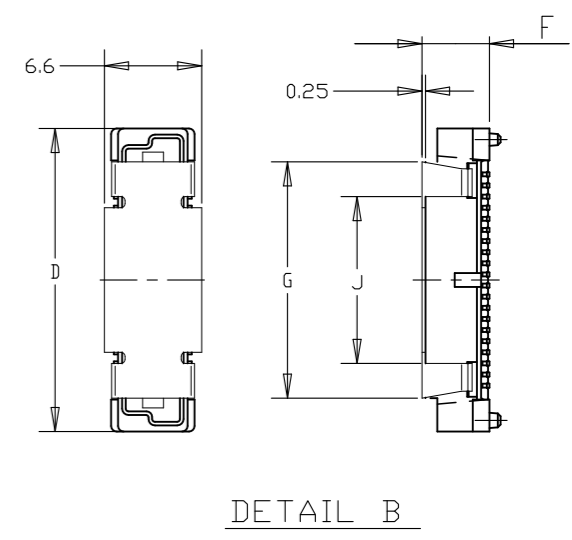
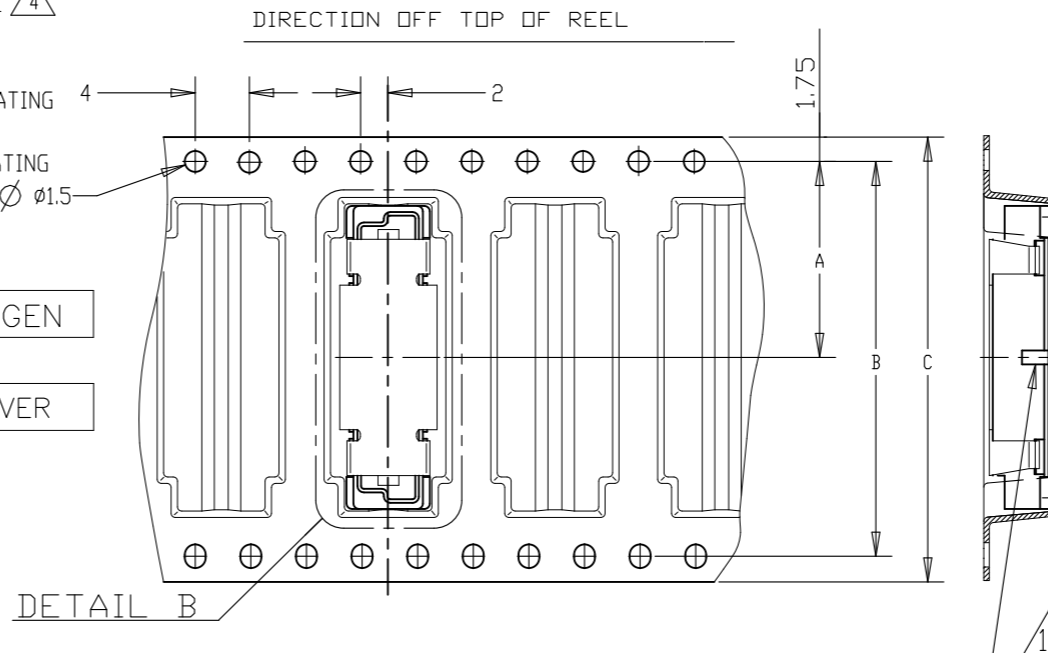
- Notes:
- 1 CUTOUT FEATURE AVAILABLE ONLY ON 5H ASSY P/N -1 (40P) AND -2 (60P).
 - 2 0.00038 MIN GOLD PLATING (15u INCHES GOLD PLATING)
 - 3 CONNECTOR DIMENSIONS REFERENCED FROM DRAWING WHICH CONN. P/Ns BASED
 - 4 CONNECTOR WITH BLACK HOUSING

- 5 MATERIAL: HOUSING: L.C.P UL 94-V0. COLOR: NATURAL EXCEPT FOR NOTE 4 CONTACT: BRASS
- 6 MATING AREA : 0.00076 MIN GOLD PLATING TERMINATION AREA : 0.0025 MIN MATTE Sn PLATING
- 7 MATING AREA : 0.00127 MIN GOLD PLATING TERMINATION AREA : 0.0025 MIN MATTE Sn PLATING

REVISIONS				
P	LTR	DESCRIPTION	DATE	APVD
F13		REVISED PER ECR-26-275652	03APR2026	MK SSM

QTY	HEIGHT TYPE	Y	X	J	H	G	F	E	D	C	B	A	POS	SALEABLE PART NO.
800	6H	2.6	5.6	12	12	17	5.85	6.25	25.8	44	40.4	20.2	50	9-5177986-9
550	6H	2.6	5.6	12	12	17	5.85	6.25	61.8	88	84.4	42.2	140	5177986-9
900	5H	1.2	4.6	12	12	17	4.85	5.25	37.8	56	52.4	26.2	80	1-5177986-7
900	5H	1.2	4.6	12	12	17	4.85	5.25	29.8	44	40.4	20.2	60	5177986-7
450					16				53.8	88	84.4	42.2	140	7-5177986-6
700	7H	3.6	6.6	12			6.85	7.25	21.8	32	28.4	14.2	40	7-5177986-1
550					16				69.8	88	84.4	42.2	140	6-5177986-1
800	6H	2.6	5.6	12			5.85	6.25	21.8	32	28.4	14.2	40	6-5177986-1
650					16				69.8	104	100.4	50.2	200	5-5177986-1
900	5H	1.2	4.6	12	12	17	4.85	5.25	21.8	32	28.4	14.2	40	5-5177986-1
800	6H	2.6	5.6	12	12	17	5.85	6.25	21.8	32	28.4	14.2	40	9-5177986-4
550	6H	2.6	5.6	12	16	17	5.85	6.25	69.8	88	84.4	42.2	160	9-5177986-8
550	6H	2.6	5.6	12	16	17	5.85	6.25	53.8	72	68.4	34.2	120	9-5177986-5
550	6H	2.6	5.6	12	16	17	5.85	6.25	61.8	88	84.4	42.2	140	9-5177986-2
800	6H	2.6	5.6	12	12	17	5.85	6.25	37.8	56	52.4	26.2	80	9-5177986-1
900	5H	1.2	4.6	12	12	17	4.85	5.25	37.8	56	52.4	26.2	80	8-5177986-3
450	7H	3.6	6.6	12	16	17	6.85	7.25	53.8	72	68.4	34.2	120	4-5177986-5
600	8H	4.6	7.6	12			7.85	8.25	21.8	32	28.4	14.2	40	3-5177986-1
400					16				85.8	104	100.4	50.2	200	3-5177986-0
600					12				77.8	104	100.4	50.2	180	2-5177986-1
450					16				69.8	88	84.4	42.2	140	2-5177986-8
700					12				61.8	88	84.4	42.2	140	2-5177986-6
500	7H	3.6	6.6	16			6.85	7.25	21.8	32	28.4	14.2	40	2-5177986-0
550					16				53.8	88	84.4	42.2	140	1-5177986-0
700					12				53.8	88	84.4	42.2	140	1-5177986-4
500					12				45.8	72	68.4	34.2	100	1-5177986-4
800	6H	2.6	5.6	12			5.85	6.25	21.8	32	28.4	14.2	40	9-5177986-3
650					16				37.8	56	52.4	26.2	80	9-5177986-3
900	5H	1.2	4.6	12	12	17	4.85	5.25	21.8	32	28.4	14.2	40	1-5177986-1
550					16				29.8	44	40.4	20.2	60	1-5177986-2
800					12				61.8	88	84.4	42.2	140	1-5177986-0
650					16				53.8	88	84.4	42.2	140	1-5177986-0
900					12				45.8	72	68.4	34.2	100	1-5177986-0
800					12				37.8	56	52.4	26.2	80	1-5177986-3
550					16				29.8	44	40.4	20.2	60	1-5177986-2
900	5H	1.2	4.6	12	12	17	4.85	5.25	21.8	32	28.4	14.2	40	5177986-1

LOW HALOGEN
STEEL COVER

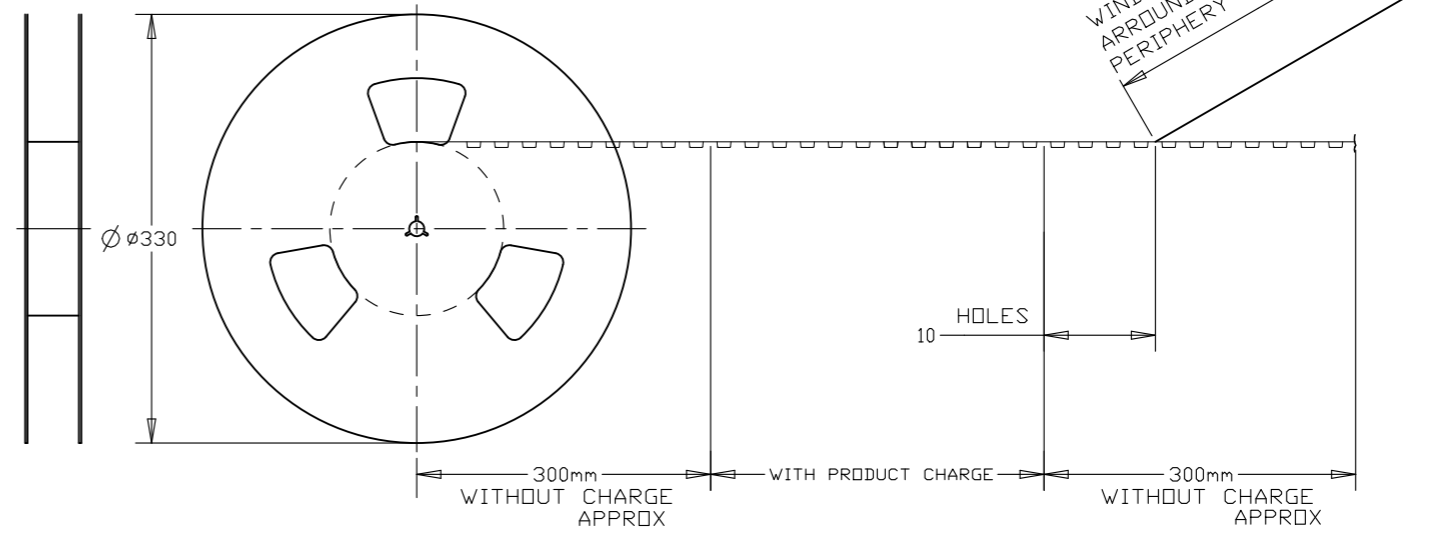
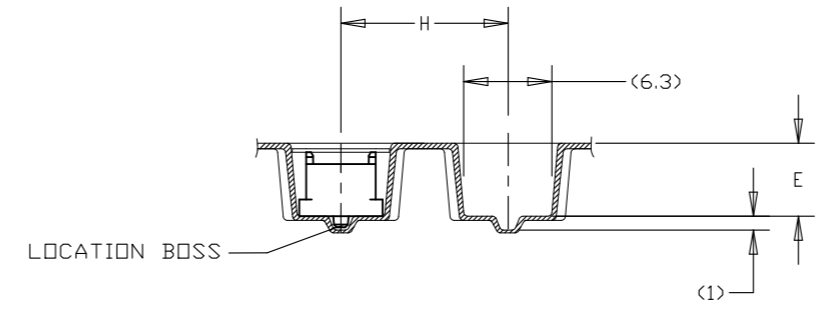
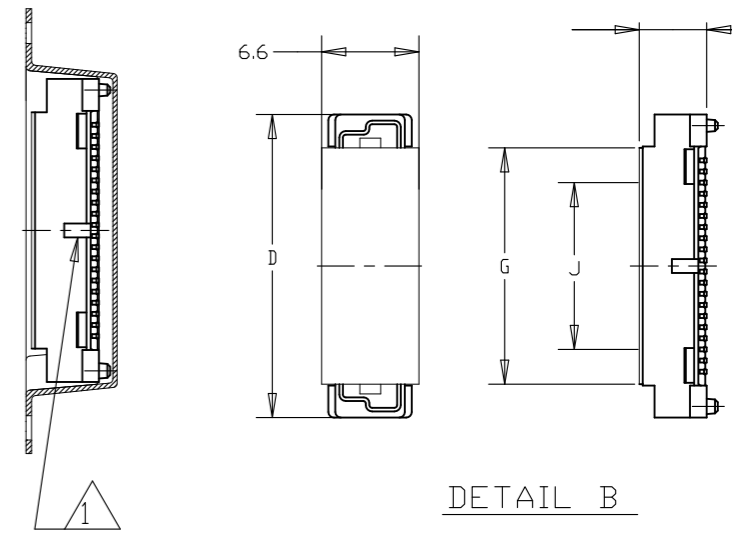
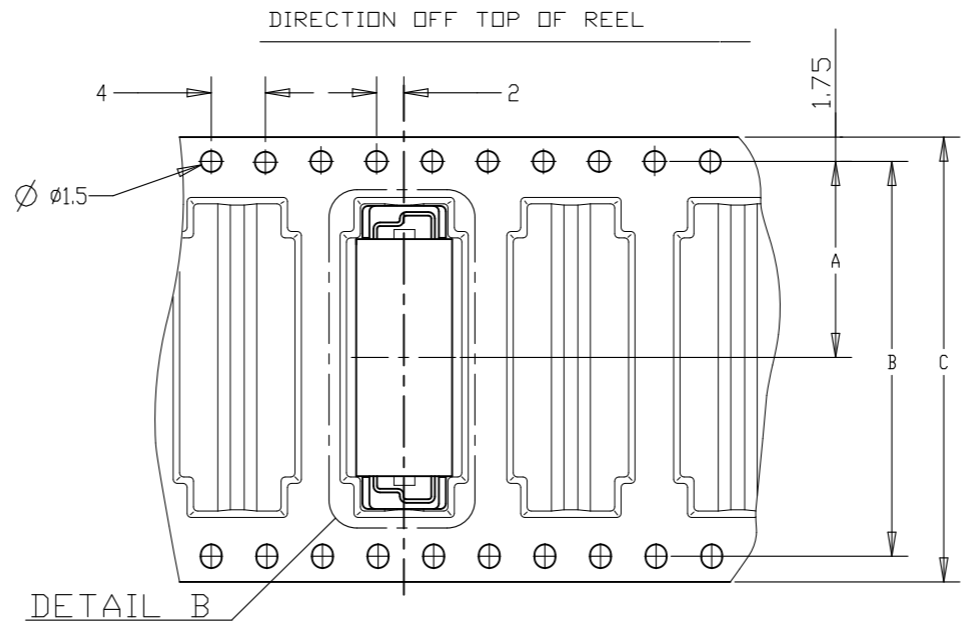


THIS DRAWING IS A CONTROLLED DOCUMENT.		DWN 30AUG2004 FLORENCE TAN	TE Connectivity Ltd.	
DIMENSIONS: mm		CHK 30MAY2012 ERIC TNG	PLUG ASSEMBLY, FH 0.8 ON TAPING (EMBOSS) 0.5 BOSS LENGTH	
TOLERANCES UNLESS OTHERWISE SPECIFIED:		APVD 30MAY2012 SF LEONG	108-5390	
0 PLC ± -		PRODUCT SPEC	APPLICATION SPEC	
1 PLC ± 0.2		SIZE CAGE CODE DRAWING NO RESTRICTED TO		
2 PLC ± 0.15		A2 00779 C=5177986		
3 PLC ± 0.1		SCALE 1:1 SHEET 1 of 6 REV F13		
4 PLC ± -		CUSTOMER DRAWING		
ANGLES ± 3°				
MATERIAL SEE NOTE	FINISH SEE NOTE	WEIGHT -		

REVISIONS					
P	LTR	DESCRIPTION	DATE	DWN	APVD
-	-	SEE SHEET 1	-	-	-

LOW HALOGEN
POLYIMIDE COVER

Notes:
6 0.0002 MIN GOLD PLATING
(7.8u INCHES GOLD PLATING)



WINDING THE COVER TAPE
AROUND THE OUTER
PERIPHERY IN A TURN.

800	6H	2.6	5.6	12	12	17	5.85	6.25	37.8	56	52.4	26.2	80	9-5177986-3	
650	5H	1.2	4.6	12	16	17	4.85	5.25	61.8	88	84.4	42.2	140	9-5177986-6	
REMARKS	QTY	HEIGHT TYPE	Y	X	J	H	G	F	E	D	C	B	A	POS	SALEABLE PART NO.

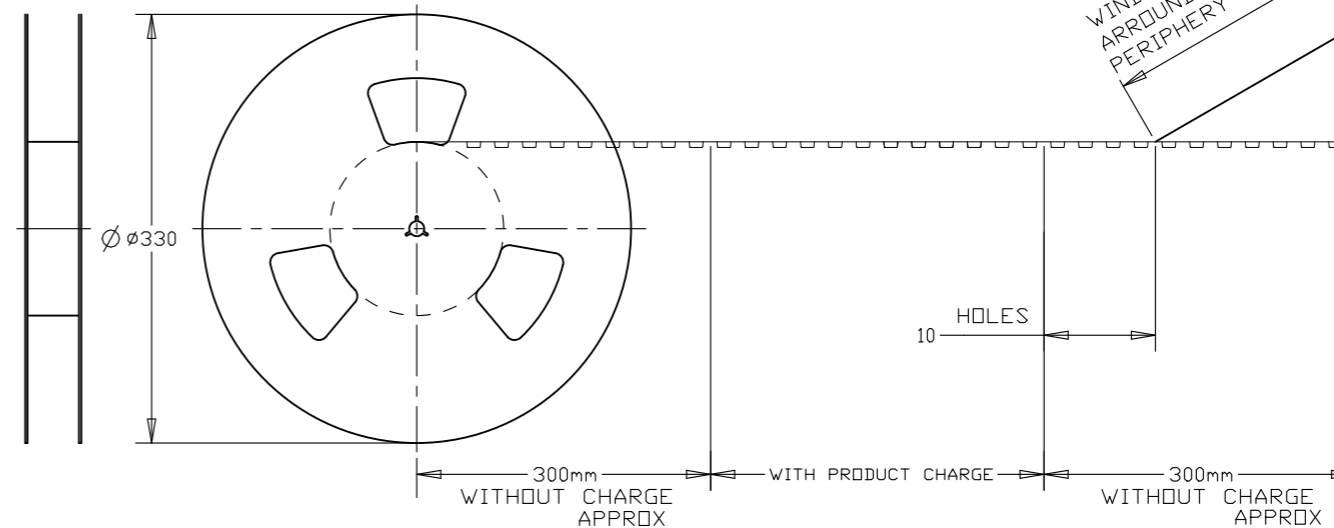
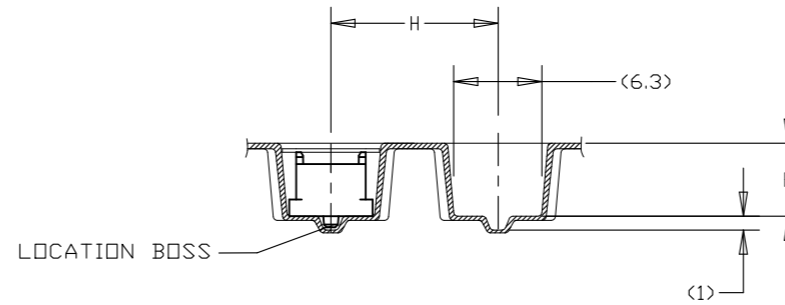
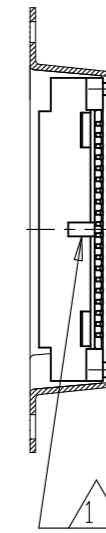
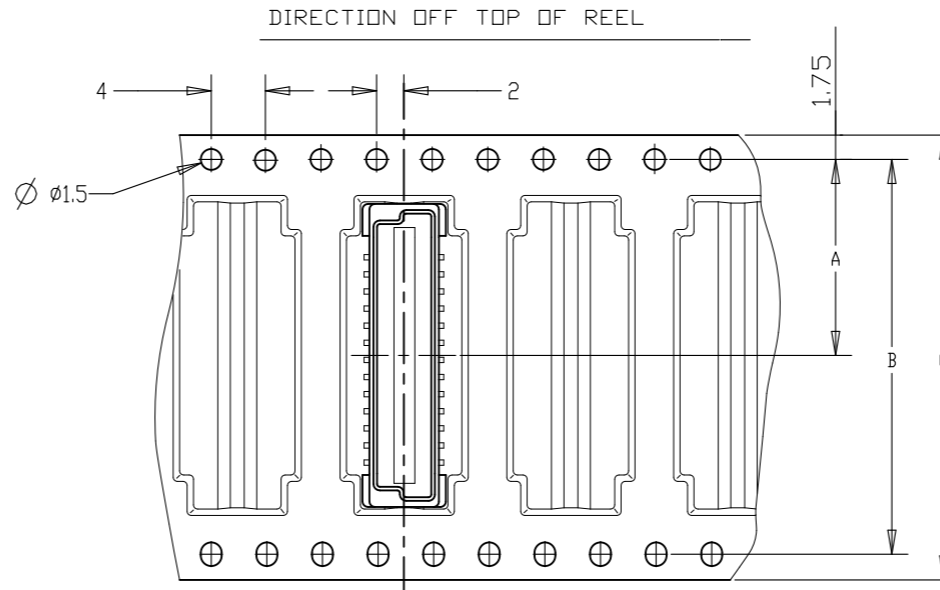
THIS DRAWING IS A CONTROLLED DOCUMENT.		DWN FLORENCE TAN 30AUG2004	TE Connectivity Ltd.	
DIMENSIONS: mm		CHK ERIC TNG 30MAY2012		
TOLERANCES UNLESS OTHERWISE SPECIFIED:		APVD SF LEONG 30MAY2012	NAME PLUG ASSEMBLY, FH 0.8 ON TAPING (EMBOSS) 0.5 BOSS LENGTH	
0 PLC ± -		PRODUCT SPEC 108-5390	SIZE A2	
1 PLC ± 0.2		APPLICATION SPEC	CAGE CODE 00779	
2 PLC ± 0.15		WEIGHT -	DRAWING NO C=5177986	
3 PLC ± 0.1		FINISH SEE NOTE	RESTRICTED TO -	
4 PLC ± -		MATERIAL SEE NOTE	SCALE 1:1	
ANGLES ± 3°		CUSTOMER DRAWING	SHEET 2 of 6	
			REV F13	

REVISIONS					
P	LTR	DESCRIPTION	DATE	DWN	APVD
-	-	SEE SHEET 1	-	-	-

LOW HALOGEN

WITHOUT COVER

Notes:
 2 0.00038 MIN GOLD PLATING
 (15μ INCHES GOLD PLATING)



REMARKS	QTY	HEIGHT TYPE	Y	X	H	E	C	B	A	POS	SALEABLE PART NO.
	650	5H	1.2	4.6	16	5.25	88	84.4	42.2	160	8-5177986-8
	650	5H	1.2	4.6	16	5.25	72	68.4	34.2	120	8-5177986-5

THIS DRAWING IS A CONTROLLED DOCUMENT.

DWN	30AUG2004	FLORENCE TAN
CHK	30MAY2012	ERIC TNG
APVD	30MAY2012	SF LEONG
PRODUCT SPEC	108-5390	
APPLICATION SPEC	-	
WEIGHT	-	
CUSTOMER DRAWING	SCALE 1:1	SHEET 3 of 6

TE Connectivity Ltd.

PLUG ASSEMBLY, FH 0.8
ON TAPING (EMBOSS) 0.5 BOSS LENGTH

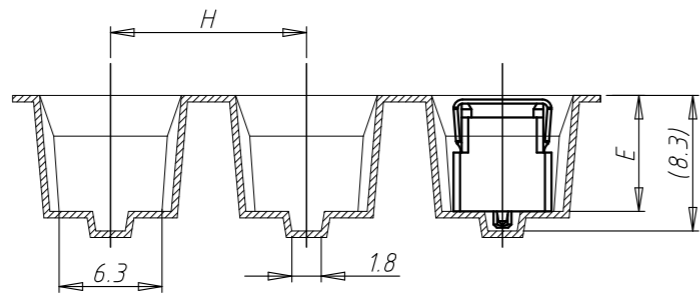
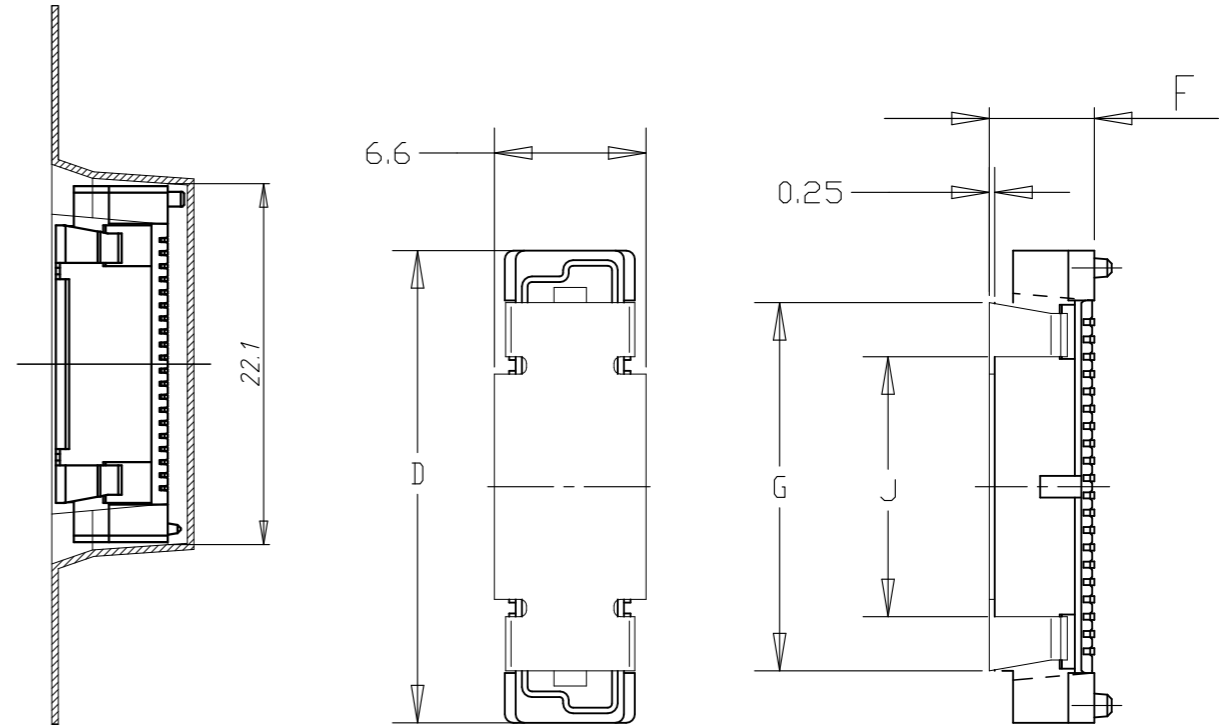
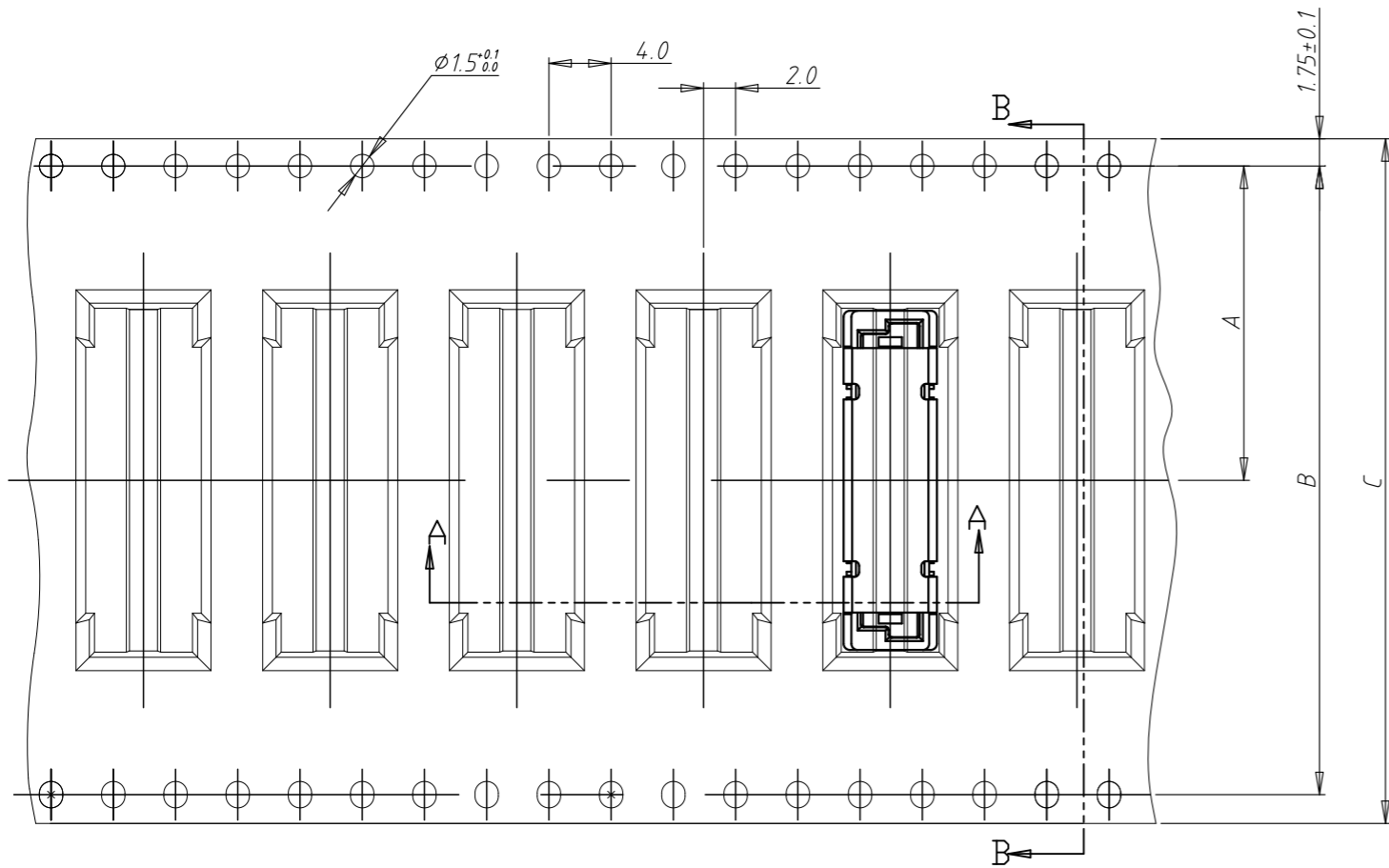
SIZE A2 CAGE CODE 00779 DRAWING NO C=5177986 RESTRICTED TO -

REVISIONS: 1: F13

REVISIONS					
P	LTR	DESCRIPTION	DATE	DWN	APVD
-	-	SEE SHEET 1	-	-	-

LOW HALOGEN
WITH COVER

USER DIRECTION OF UNREELING →



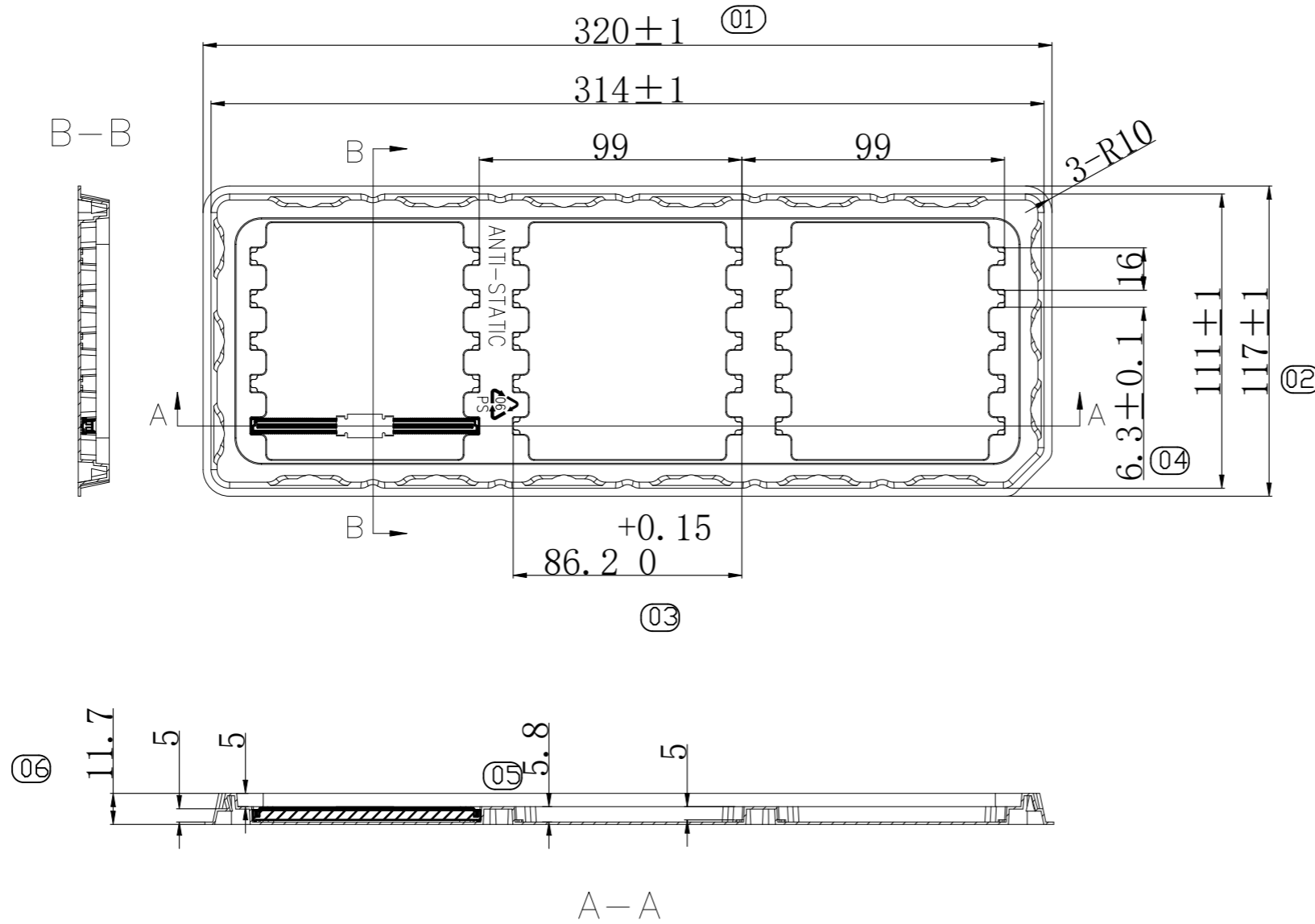
A-A

B-B

THIS DRAWING IS A CONTROLLED DOCUMENT.		DWN FLORENCE TAN 30AUG2004	TE Connectivity Ltd.	
DIMENSIONS: mm		CHK ERIC TNG 30MAY2012		
TOLERANCES UNLESS OTHERWISE SPECIFIED:		APVD SF LEONG 30MAY2012	NAME PLUG ASSEMBLY, FH 0.8 ON TAPING (EMBOSS) 0.5 BOSS LENGTH	
<ul style="list-style-type: none"> 0 PLC ± - 1 PLC ± 0.2 2 PLC ± 0.15 3 PLC ± 0.1 4 PLC ± - ANGLES ± 3° 		PRODUCT SPEC 108-5390	SIZE A2	CAGE CODE 00779
MATERIAL SEE NOTE		FINISH SEE NOTE	WEIGHT -	DRAWING NO C=5177986
		CUSTOMER DRAWING		RESTRICTED TO -
		SCALE 1:1		SHEET 4 OF 6
				REV F13

30u" Au	700	7H	3.6	6.6	12	12	17	6.85	7.1	21.8	44	40.4	20.2	40	7-5177986-7
REMARKS	QTY	HEIGHT TYPE	Y	X	J	H	G	F	E	D	C	B	A	POS	SALEABLE PART NO.

P	LTR	DESCRIPTION	DATE	DWN	APVD
-	-	SEE SHEET 1	-	-	-



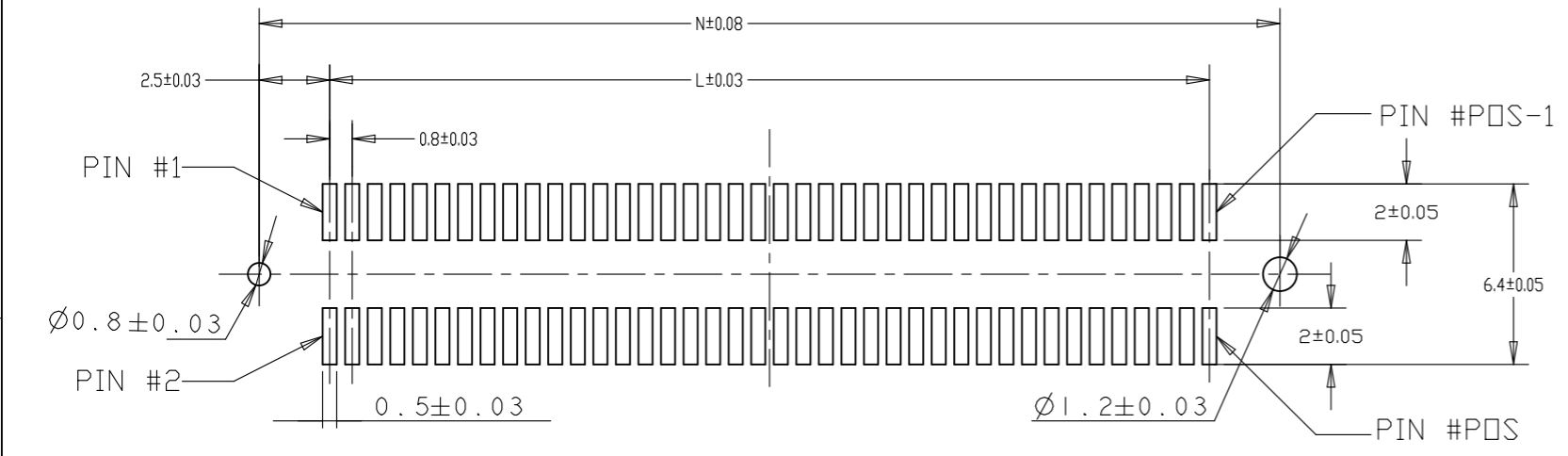
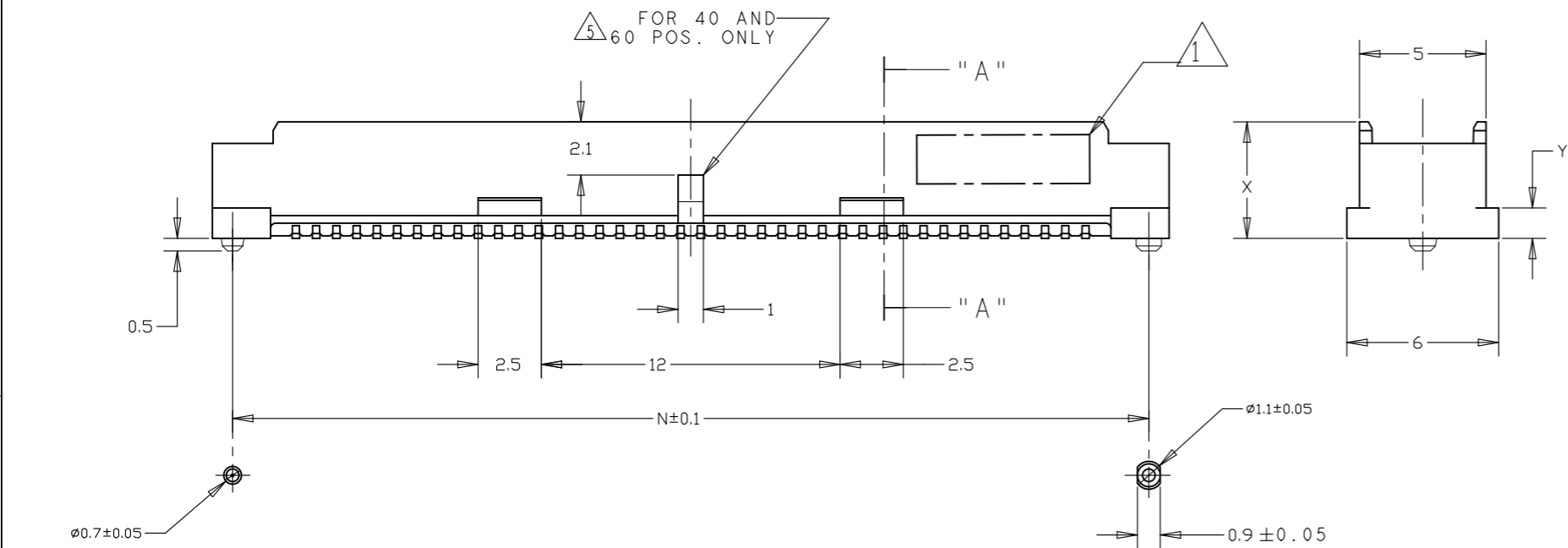
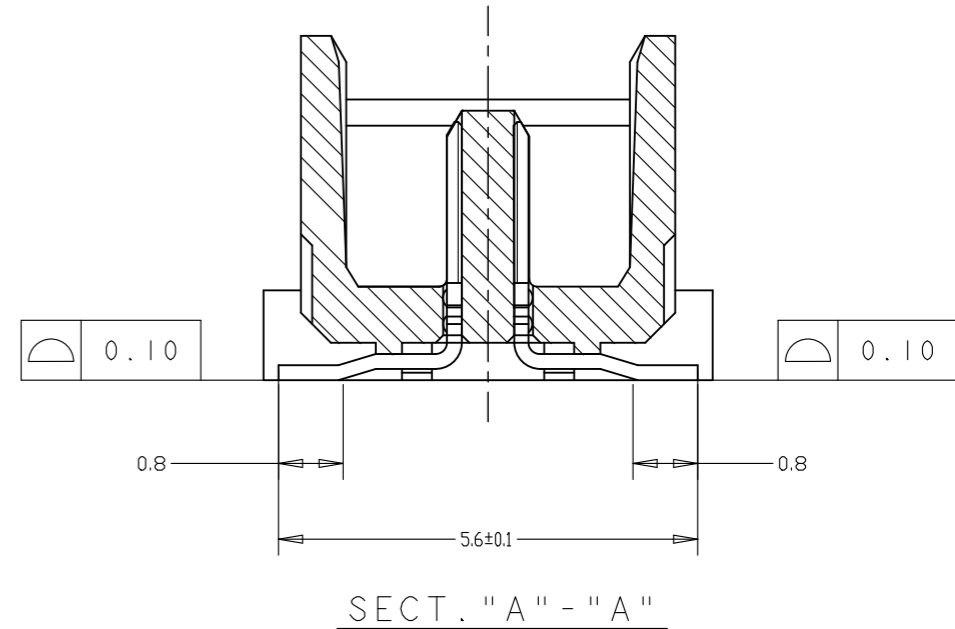
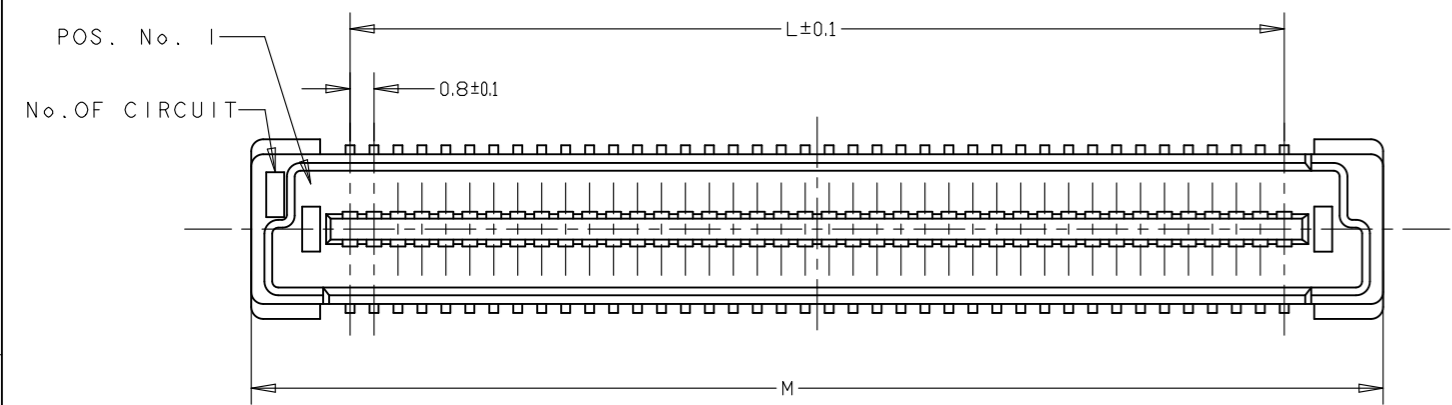
FINISH	3	15	5H	4.6	1.2	200	5-5177986-9
ROW	QTY	HEIGHT TYPE	X	Y	POS	PART NO	

THIS DRAWING IS A CONTROLLED DOCUMENT.		DWN FLORENCE TAN 30AUG2004	TE Connectivity Ltd.	
DIMENSIONS: mm		CHK ERIC TNG 30MAY2012		
TOLERANCES UNLESS OTHERWISE SPECIFIED:		APVD SF LEONG 30MAY2012	NAME PLUG ASSEMBLY, FH 0.8 ON TAPING (EMBOSS) 0.5 BOSS LENGTH	
0 PLC ± - 1 PLC ± 0.2 2 PLC ± 0.15 3 PLC ± 0.1 4 PLC ± - ANGLES ± 3°		PRODUCT SPEC 108-5390	SIZE A2	CAGE CODE 00779
MATERIAL SEE NOTE		FINISH SEE NOTE	DRAWING NO C=5177986	RESTRICTED TO -
		WEIGHT -	SCALE 1:1	SHEET 5 of 6
		CUSTOMER DRAWING	REV F13	

REVISIONS					
P	LTR	DESCRIPTION	DATE	DWN	APVD
-	-	SEE SHEET 1	-	-	-

LOW HALOGEN

CONNECTOR ONLY



RECOMMENDED P.C. BOARD LAYOUT

84.2	85.8	79.2	200
76.2	77.8	71.2	180
68.2	69.8	63.2	160
60.2	61.8	55.2	140
52.2	53.8	47.2	120
44.2	45.8	39.2	100
36.2	37.8	31.2	80
28.2	29.8	23.2	60
24.2	25.8	19.2	50
20.2	21.8	15.2	40
N	M	L	POS.

THIS DRAWING IS A CONTROLLED DOCUMENT.		DWN FLORENCE TAN 30AUG2004	TE Connectivity Ltd.	
DIMENSIONS: mm		CHK ERIC TNG 30MAY2012		
TOLERANCES UNLESS OTHERWISE SPECIFIED:		APVD SF LEONG 30MAY2012	NAME PLUG ASSEMBLY, FH 0.8 ON TAPING (EMBOSS) 0.5 BOSS LENGTH	
0 PLC ± - 1 PLC ± 0.2 2 PLC ± 0.15 3 PLC ± 0.1 4 PLC ± - ANGLES ± 3°		PRODUCT SPEC 108-5390	SIZE A2	CAGE CODE 00779
MATERIAL SEE NOTE		FINISH SEE NOTE	WEIGHT -	DRAWING NO C=5177986
		CUSTOMER DRAWING		RESTRICTED TO -
		SCALE 1:1		SHEET 6 OF 6
				REV F13

5177986