

THIS DRAWING IS UNPUBLISHED.

RELEASED FOR PUBLICATION

2004

© COPYRIGHT 2004

ALL RIGHTS RESERVED.

LOC
J

DIST
-

REVISIONS

P	LTR	DESCRIPTION	ECN	DATE	DWN	APVD
	O1	REVISED ADD -2	ECR-05-011611	22SEP05	AY	HY
	A	REVISED	ECR-10-007503	21APR10	TS	KB
	A1	REVISED	ECR-15-004383	23MAR15	TS	KB
	A2	REVISED ADD -3, -4	ECR-21-002838	29MAR21	SU	RK

A2 AS SHOWN: -3, -4

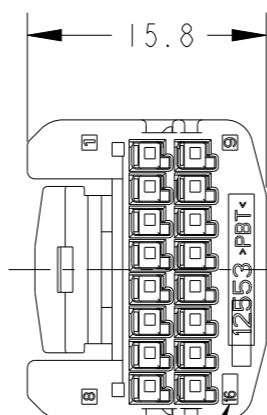
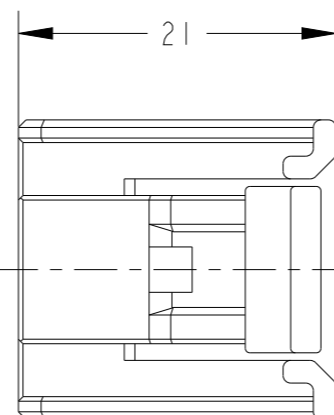
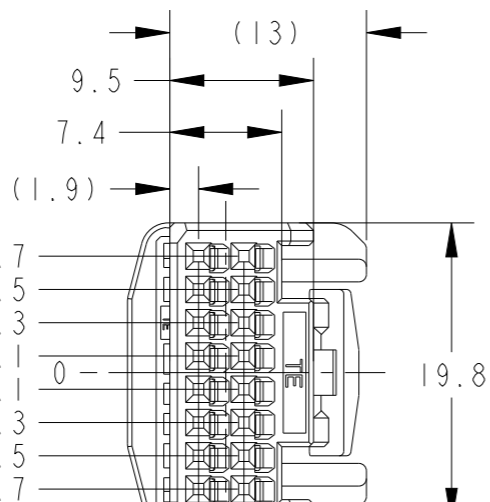
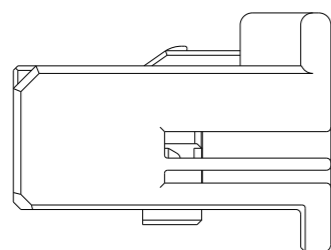
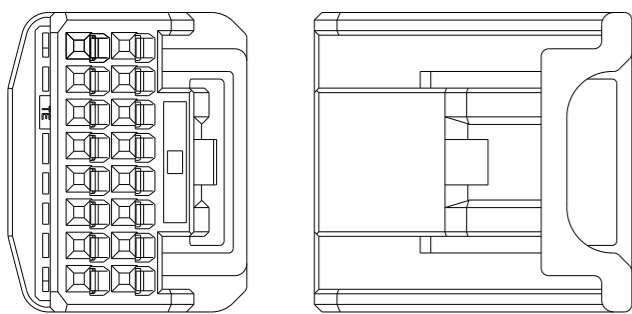


TABLE - 1

POS 極数	CAP ASSEMBLY PART NO. キャップ 型番
16	W-W 1376106
	W-W 1473796
16	W-B 1318382
	W-B 6318382

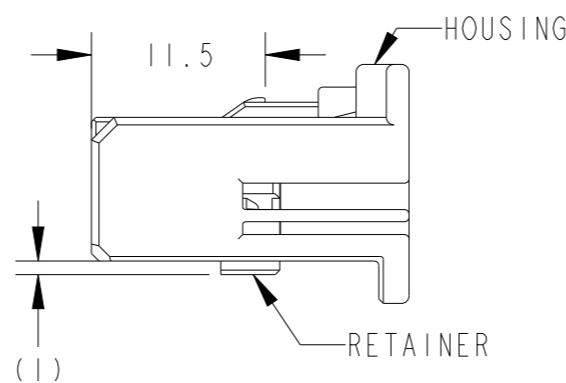
TABLE - 2

	TERMINAL NO. 端子型番	APPLICABLE WIRE RANGE 適用電線
SIGNAL 0.64111	TIN 1674311-1	AVSS/CAVS/CAVUS/AVSSH-f 0.3~0.5mm ²
	TIN 1674311-7	
	TIN 1674936-5	
	SELECTIVE GOLD 1674311-2	
	SELECTIVE GOLD 1674311-8	
	1674936-6	

1. RETAINER SHOULD BE SENT TO THE PRE-ASSEMBLY.
2. INSTRUCTION SHEET NO.411-78080.
3. PART NUMBER OF CAP HOUSING TO BE MATED : SEE TABLE-1
4. APPLIED TERMINALS : SEE TABLE-2

1. プラグハウジングにリテーナを仮係止して出荷される
2. 取扱説明書NO.411-78080
3. 嵌合相手型番 : TABLE-1参照
4. 適用端子 : TABLE-2参照

PACKING STYLE 梱包形態	WEIGHT	COLOR	PART NUMBER
PAPER BOX ダンボール	2.97g	NATURAL	1717109-4 ^{A2}
PLASTIC BAG ビニール袋	2.97g	BLACK	1717109-3 ^{A2}
PAPER BOX ダンボール	2.76g	BLACK	1717109-2 ^{O1}
PLASTIC BAG ビニール袋	2.76g	NATURAL	1717109-1
OUTER 外装			
INNER 内装			



THIS DRAWING IS A CONTROLLED DOCUMENT.

DIMENSIONS: 単位: 耗 mm	TOLERANCES UNLESS OTHERWISE SPECIFIED: 一般公差 ±0.3 0-PLC ± 1-PLC ±0.1 2-PLC ±0.01 3-PLC ±0.001 4-PLC ±0.0001 ANGLES ±3'00"
MATERIAL 材料 PBT	FINISH 仕上 SEE TABLE

DWN S. AMEMIYA 26JAN04	NAME K. ASAI
CHK H. YAMAGAMI 26JAN04	PRODUCT SPEC 108-5931
APVD 26JAN04	APPLICATION SPEC 114-5329
WEIGHT SEE TABLE	



0.64111 16P PLUG HSG ASSEMBLY

SIZE A3	CAGE CODE	DRAWING NO. C-1717109	RESTRICTED TO -
CUSTOMER DRAWING		SCALE 尺度 2:1	SHEET 1 OF 1 REV A2