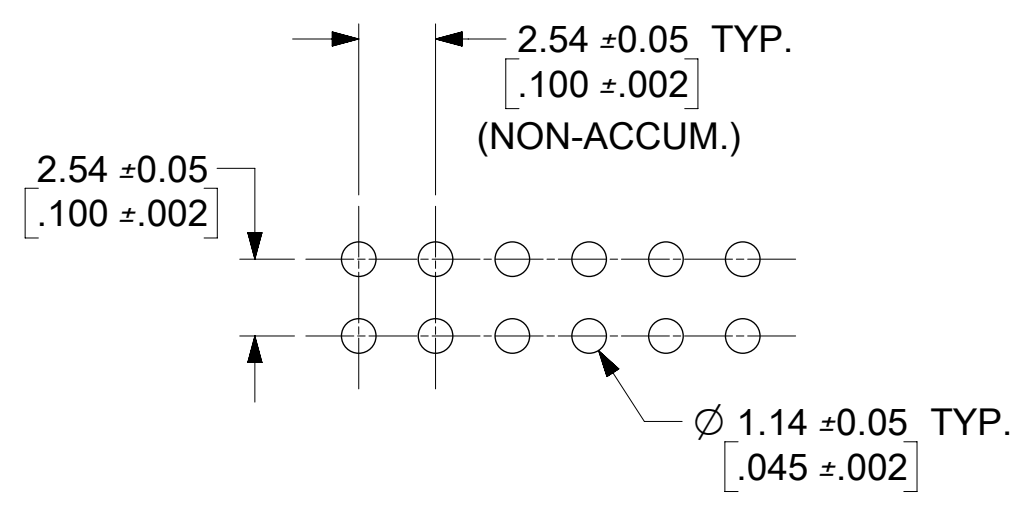
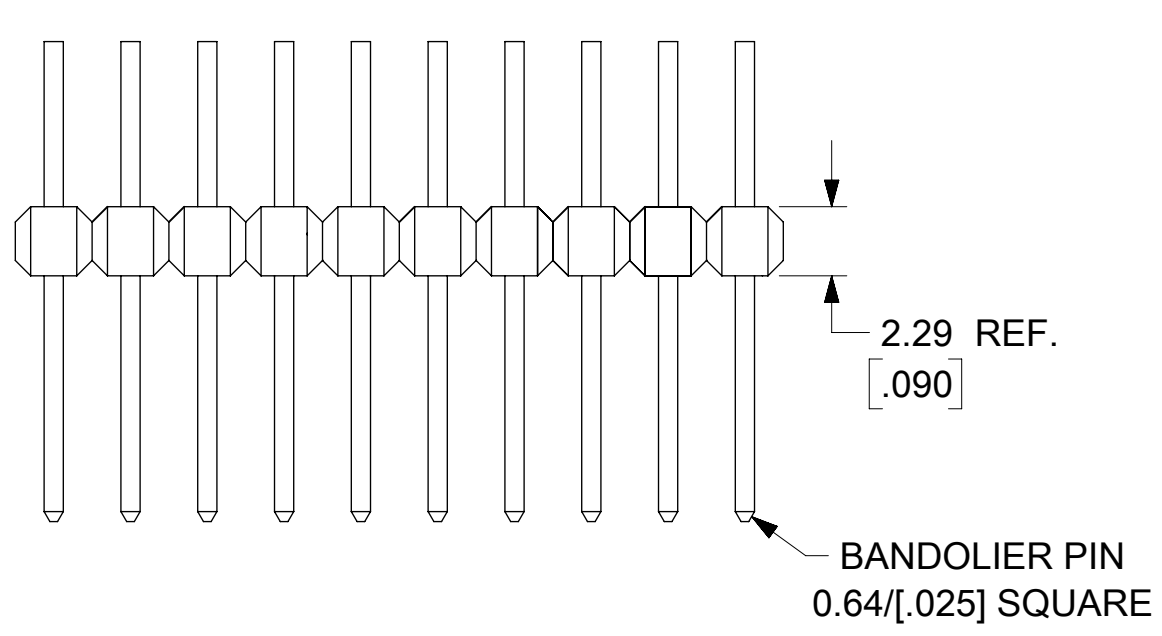
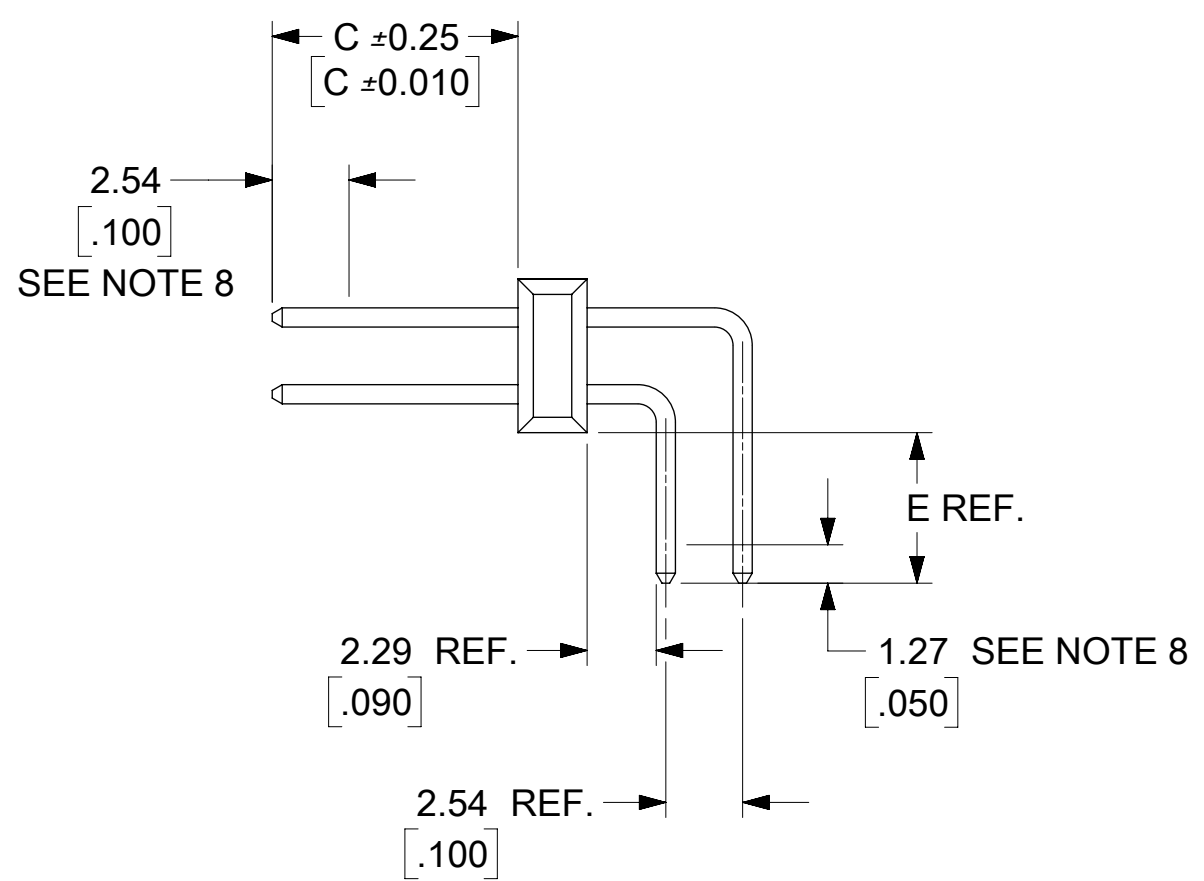
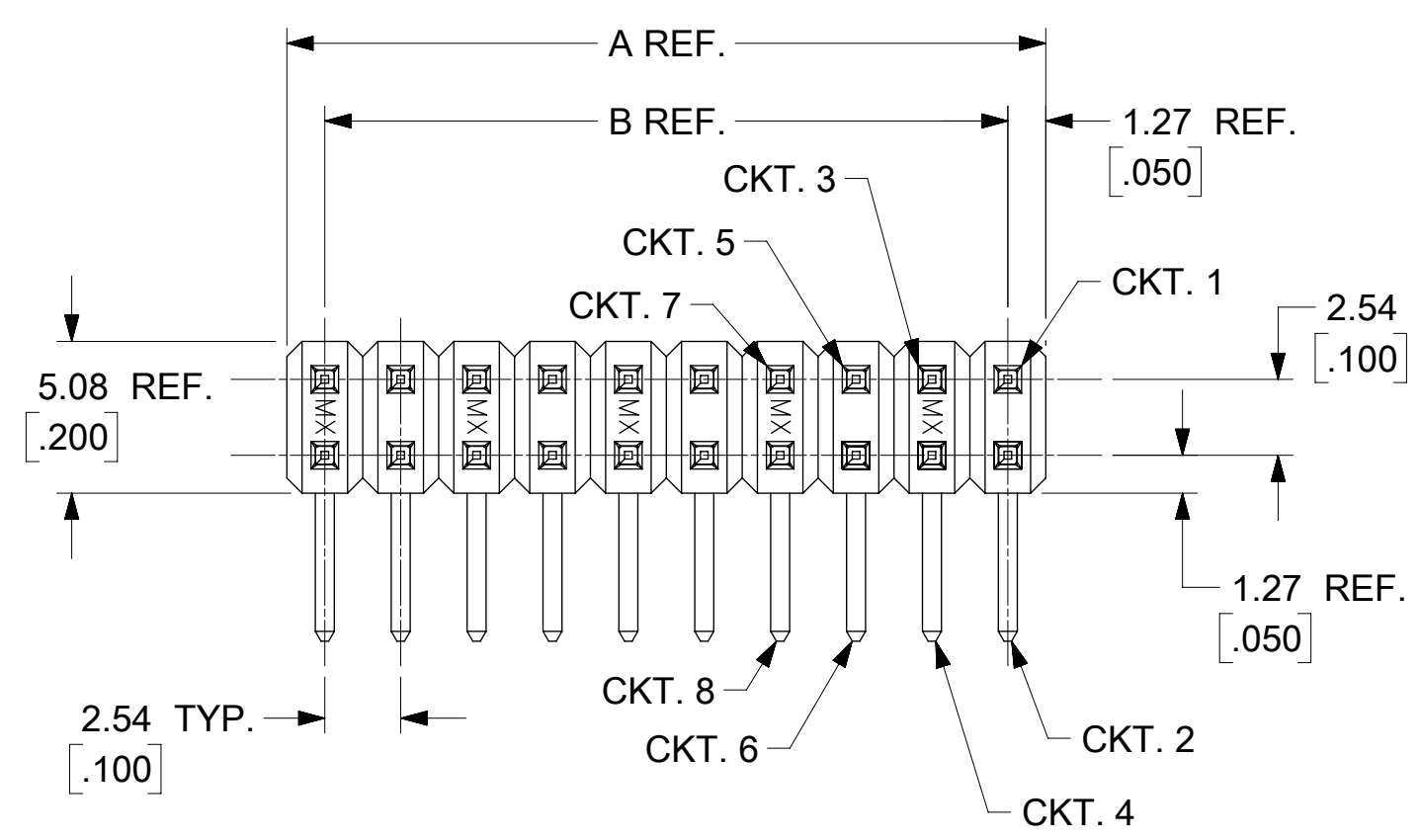


| CKTS | A | B |
|------|---------------|---------------|
| 04 | 5.08/[.200] | 2.54/[.100] |
| 06 | 7.62/[.300] | 5.08/[.200] |
| 08 | 10.16/[.400] | 7.62/[.300] |
| 10 | 12.70/[.500] | 10.16/[.400] |
| 12 | 15.24/[.600] | 12.70/[.500] |
| 14 | 17.78/[.700] | 15.24/[.600] |
| 16 | 20.32/[.800] | 17.78/[.700] |
| 18 | 22.86/[.900] | 20.32/[.800] |
| 20 | 25.40/[1.000] | 22.86/[.900] |
| 22 | 27.94/[1.100] | 25.40/[1.000] |
| 24 | 30.48/[1.200] | 27.94/[1.100] |
| 26 | 33.02/[1.300] | 30.48/[1.200] |
| 28 | 35.56/[1.400] | 33.02/[1.300] |
| 30 | 38.10/[1.500] | 35.56/[1.400] |



RECOMMENDED P.C. BOARD HOLE LAYOUT



- NOTES:
- MATERIAL: WAFER - HIGH TEMPERATURE THERMAL PLASTIC, 94V-0; COLOR: BLACK
PIN - COPPER ALLOY
 - PLATING:
TIN - 0.00381/[.000150] MINIMUM TIN PLATE OVER NICKEL PLATE.
15 GOLD - 0.00038/[.000015] MINIMUM GOLD PLATE IN SELECT AREA, 0.00191/[.000075] MINIMUM TIN PLATE IN SELECT AREA, OVER NICKEL PLATE OVERALL.
30 GOLD - 0.00076/[.000030] MINIMUM GOLD PLATE IN SELECT AREA, 0.00191/[.000075] MINIMUM TIN PLATE IN SELECT AREA, OVER NICKEL PLATE OVERALL.
* THE PRIMARY SHIPPING CARTON WILL BE LABELED "COMPLIANT TO RoHS DIRECTIVE 2002/95/EC AND ELV ANNEX II OF DIRECTIVE 2000/53/EC". CARTONS WITHOUT THIS LABEL MAY CONTAIN PRODUCT WITH LEAD.
 - PRODUCT CONFORMS TO PS-71764.
 - PACKAGING INFORMATION:
FOR 4 THRU 8 CIRCUIT PARTS USE PK-70873-0353
FOR 10 CIRCUITS AND OVER USE PK-70873-0075
 - FOR ILLUSTRATION PURPOSES, 20 (DUAL 10) CIRCUIT SIZE IS SHOWN.
 - PINS MUST MEET SOLDERABILITY SPEC. ES-152, EXCEPT VOIDS ARE PERMISSIBLE AT BANDOLIER PIN AT BANDOLIER PIN FAYING SURFACE. (APPROX. 0.64/[.025] LNG X 0.15/[.006] WD. REF.) 2 LOCATIONS
 - WAFER TO BE FLAT WITHIN 0.03 MM/CM OR [.003 IN./IN]
 - MEASURE POINT FOR PLATING THICKNESS.
 - THIS PART CONFORMS TO CLASS B REQUIREMENTS OF COSMETIC SPECIFICATION PS-45499-002

THIS DRAWING CONTAINS INFORMATION THAT IS PROPRIETARY TO MOLEX ELECTRONIC TECHNOLOGIES, LLC AND SHOULD NOT BE USED WITHOUT WRITTEN PERMISSION

| | | | | | |
|--|------------------------|---|--------------------------|----------------|--------------|
| DIMENSION UNITS MM/INCH | SCALE 4:1 | CURRENT REV DESC: REMOVED OBSOLETE PART NUMBERS AS PER PCN#515931 | molex | | |
| GENERAL TOLERANCES (UNLESS SPECIFIED) | | EC NO: 812933 | | | |
| 4 PLACES ± | ± | DRWN: MADHAM5 2025/02/07 | PRODUCT CUSTOMER DRAWING | | |
| 3 PLACES ± | ± 0.01 | CHK'D: GGA 2025/03/03 | DOCUMENT NUMBER | | |
| 2 PLACES ± | 0.25 ± 0.01 | APPR: GGA 2025/03/03 | SD-71764-001 | | |
| 1 PLACE ± | 0.25 ± | INITIAL REVISION: | DOC TYPE | DOC PART | REVISION |
| 0 PLACES ± | ± | DRWN: CAC 1985/08/23 | PSD | 001 | A4 |
| ANGULAR TOL ± | 0.5 ° | APPR: DJB 1985/08/23 | MATERIAL NUMBER | CUSTOMER | SHEET NUMBER |
| DRAFT WHERE APPLICABLE MUST REMAIN WITHIN DIMENSIONS | THIRD ANGLE PROJECTION | DRAWING | SEE TABLE | GENERAL MARKET | 1 OF 3 |
| | | C-SIZE | 71764 | | |

| | | |
|--------------------------------|--------------------|-------|
| ITEM NO: 71764-0004/0030, 9003 | | |
| DIM. C | 6.10/[.240] | |
| DIM. E (REF.) | 2.79/[.110] | |
| FINISH | TIN | |
| CONNECTOR END PLATING | TIN | |
| P.C. BOARD END PLATING | TIN | |
| PACKAGING | SEE NOTE 4 SHEET 1 | |
| CKTS | ITEM NUMBER | VOIDS |
| 04 | 71764-0004 | |
| 06 | 71764-0006 | |
| 08 | 71764-0008 | |
| 10 | 71764-0010 | |
| 12 | 71764-0012 | |
| 14 | 71764-0014 | |
| 16 | 71764-0016 | |
| 18 | 71764-0018 | |
| 20 | 71764-0020 | |
| 22 | 71764-0022 | |
| 24 | 71764-0024 | |
| 26 | 71764-0026 | |
| 28 | 71764-0028 | |
| 30 | 71764-0030 | |
| 06 | 71764-9003 | 3 |

| | | |
|--------------------------------------|--------------------|-------|
| ITEM NO: 71764-0104/0130, 9001, 9004 | | |
| DIM. C | 6.10/[.240] | |
| DIM. E (REF.) | 2.79/[.110] | |
| FINISH | 15 GOLD | |
| CONNECTOR END PLATING | GOLD | |
| P.C. BOARD END PLATING | TIN | |
| PACKAGING | SEE NOTE 4 SHEET 1 | |
| CKTS | ITEM NUMBER | VOIDS |
| 04 | 71764-0104 | |
| 06 | 71764-0106 | |
| 08 | 71764-0108 | |
| 10 | 71764-0110 | |
| 12 | 71764-0112 | |
| 14 | 71764-0114 | |
| 16 | 71764-0116 | |
| 18 | 71764-0118 | |
| 20 | 71764-0120 | |
| 22 | 71764-0122 | |
| 24 | 71764-0124 | |
| 26 | 71764-0126 | |
| 28 | 71764-0128 | |
| 30 | 71764-0130 | |
| 06 | 71764-9001 | 3, 4 |
| 08 | --- | 5, 6 |

| | | |
|--------------------------------------|--------------------|-------|
| ITEM NO: 71764-0204/0230, 9000, 9002 | | |
| DIM. C | 6.10/[.240] | |
| DIM. E (REF.) | 2.79/[.110] | |
| PLATING FINISH | 30 GOLD | |
| CONNECTOR END PLATING | GOLD | |
| P.C. BOARD END PLATING | TIN | |
| PACKAGING | SEE NOTE 4 SHEET 1 | |
| CKTS | ITEM NUMBER | VOIDS |
| 04 | 71764-0204 | |
| 06 | 71764-0206 | |
| 08 | 71764-0208 | |
| 10 | 71764-0210 | |
| 12 | 71764-0212 | |
| 14 | 71764-0214 | |
| 16 | 71764-0216 | |
| 18 | 71764-0218 | |
| 20 | 71764-0220 | |
| 22 | 71764-0222 | |
| 24 | 71764-0224 | |
| 26 | 71764-0226 | |
| 28 | 71764-0228 | |
| 30 | 71764-0230 | |
| 06 | 71764-9002 | 3, 4 |
| 10 | 71764-9000 | 8 |

| | | | | | | | | | | | | | | | |
|---|--|---------|--------|--|--|---------|--|---|--|-----------------|----------|----------------|--|--------------|--|
| THIS DRAWING CONTAINS INFORMATION THAT IS PROPRIETARY TO MOLEX ELECTRONIC TECHNOLOGIES, LLC AND SHOULD NOT BE USED WITHOUT WRITTEN PERMISSION | | | | | | | | | | | | | | | |
| DIMENSION UNITS | | SCALE | | CURRENT REV DESC: REMOVED OBSOLETE PART NUMBERS AS PER PCN#515931 | | | | molex | | | | | | | |
| MM/INCH | | 1:1 | | | | | | | | | | | | | |
| GENERAL TOLERANCES (UNLESS SPECIFIED) | | | | EC NO: 812933 DRWN: MADHAM5 2025/02/07 CHK'D: GGA 2025/03/03 APPR: GGA 2025/03/03 | | | | DUAL ROW WAFER ASS'Y W/BREAK-OFF OPTION RT. ANG. (0.64)/.025 SQ PINS PRODUCT CUSTOMER DRAWING | | | | | | | |
| 4 PLACES | | ± | ± | | | | | | | | | | | | |
| 3 PLACES | | ± | ± 0.01 | | | | | | | | | | | | |
| 2 PLACES | | ± 0.25 | ± 0.01 | | | | | | | | | | | | |
| 1 PLACE | | ± 0.25 | ± | | | | | | | | | | | | |
| 0 PLACES | | ± | ± | INITIAL REVISION: | | | | DOCUMENT NUMBER | | DOC TYPE | DOC PART | REVISION | | | |
| ANGULAR TOL | | ± 0.5 ° | | DRWN: CAC 1985/08/23 APPR: DJB 1985/08/23 | | | | SD-71764-001 | | PSD | 001 | A4 | | | |
| DRAFT WHERE APPLICABLE MUST REMAIN WITHIN DIMENSIONS | | | | THIRD ANGLE PROJECTION | | DRAWING | | SERIES | | MATERIAL NUMBER | | CUSTOMER | | SHEET NUMBER | |
| | | | | | | C-SIZE | | 71764 | | SEE TABLE | | GENERAL MARKET | | 2 OF 3 | |

| ITEM NO: 71764-0304/0330 | | |
|--------------------------|--------------------|-------|
| DIM. C | 8.13/[.320] | |
| DIM. E (REF.) | 2.79/[.110] | |
| PLATING FINISH | TIN | |
| CONNECTOR END PLATING | TIN | |
| P.C. BOARD END PLATING | TIN | |
| PACKAGING | SEE NOTE 4 SHEET 1 | |
| CKTS | ITEM NUMBER | VOIDS |
| 04 | 71764-0304 | |
| 06 | 71764-0306 | |
| 08 | 71764-0308 | |
| 10 | 71764-0310 | |
| 12 | 71764-0312 | |
| 14 | 71764-0314 | |
| 16 | 71764-0316 | |
| 18 | 71764-0318 | |
| 20 | 71764-0320 | |
| 22 | 71764-0322 | |
| 24 | 71764-0324 | |
| 26 | 71764-0326 | |
| 28 | 71764-0328 | |
| 30 | 71764-0330 | |
| | | |
| | | |
| | | |
| | | |

| ITEM NO: 71764-0404/0430 | | |
|--------------------------|--------------------|-------|
| DIM. C | 8.13/[.320] | |
| DIM. E (REF.) | 2.79/[.110] | |
| PLATING FINISH | 15 GOLD | |
| CONNECTOR END PLATING | GOLD | |
| P.C. BOARD END PLATING | TIN | |
| PACKAGING | SEE NOTE 4 SHEET 1 | |
| CKTS | ITEM NUMBER | VOIDS |
| 04 | 71764-0404 | |
| 06 | 71764-0406 | |
| 08 | 71764-0408 | |
| 10 | 71764-0410 | |
| 12 | 71764-0412 | |
| 14 | 71764-0414 | |
| 16 | 71764-0416 | |
| 18 | 71764-0418 | |
| 20 | 71764-0420 | |
| 22 | 71764-0422 | |
| 24 | 71764-0424 | |
| 26 | 71764-0426 | |
| 28 | 71764-0428 | |
| 30 | 71764-0430 | |
| | | |
| | | |
| | | |
| | | |

| ITEM NO: 71764-0504/0530 | | |
|--------------------------|--------------------|-------|
| DIM. C | 8.13/[.320] | |
| DIM. E (REF.) | 2.79/[.110] | |
| PLATING FINISH | 30 GOLD | |
| CONNECTOR END PLATING | GOLD | |
| P.C. BOARD END PLATING | TIN | |
| PACKAGING | SEE NOTE 4 SHEET 1 | |
| CKTS | ITEM NUMBER | VOIDS |
| 04 | 71764-0504 | |
| 06 | 71764-0506 | |
| 08 | 71764-0508 | |
| 10 | 71764-0510 | |
| 12 | 71764-0512 | |
| 14 | 71764-0514 | |
| 16 | 71764-0516 | |
| 18 | 71764-0518 | |
| 20 | 71764-0520 | |
| 22 | 71764-0522 | |
| 24 | 71764-0524 | |
| 26 | 71764-0526 | |
| 28 | 71764-0528 | |
| 30 | 71764-0530 | |
| | | |
| | | |
| | | |
| | | |

| | | | | | | | | | |
|---|--|---------------------|--|---|--|--------------------------------|--|--|--|
| THIS DRAWING CONTAINS INFORMATION THAT IS PROPRIETARY TO MOLEX ELECTRONIC TECHNOLOGIES, LLC AND SHOULD NOT BE USED WITHOUT WRITTEN PERMISSION | | | | | | | | | |
| DIMENSION UNITS MM/INCH | | SCALE 1:1 | | CURRENT REV DESC: REMOVED OBSOLETE PART NUMBERS AS PER PCN#515931 | | | | molex | |
| GENERAL TOLERANCES (UNLESS SPECIFIED) | | | | EC NO: 812933 | | 2025/02/07 | | | |
| 4 PLACES ± | | ± | | DRWN: MADHAM5 | | 2025/03/03 | | DUAL ROW WAFER ASS'Y W/BREAK-OFF OPTION RT. ANG. (0.64)/.025 SQ PINS | |
| 3 PLACES ± | | ± 0.01 | | CHK'D: GGA | | 2025/03/03 | | | |
| 2 PLACES ± | | ± 0.25 ± 0.01 | | APPR: GGA | | 2025/03/03 | | PRODUCT CUSTOMER DRAWING | |
| 1 PLACE ± | | ± | | INITIAL REVISION: | | | | DOCUMENT NUMBER | |
| 0 PLACES ± | | ± | | DRWN: CAC | | 1985/08/23 | | SD-71764-001 | |
| ANGULAR TOL ± 0.5 ° | | ± | | APPR: DJB | | 1985/08/23 | | DOC TYPE DOC PART REVISION PSD 001 A4 | |
| DRAFT WHERE APPLICABLE MUST REMAIN WITHIN DIMENSIONS | | | | THIRD ANGLE PROJECTION | | DRAWING SERIES C-SIZE 71764 | | MATERIAL NUMBER CUSTOMER SHEET NUMBER SEE TABLE GENERAL MARKET 3 OF 3 | |