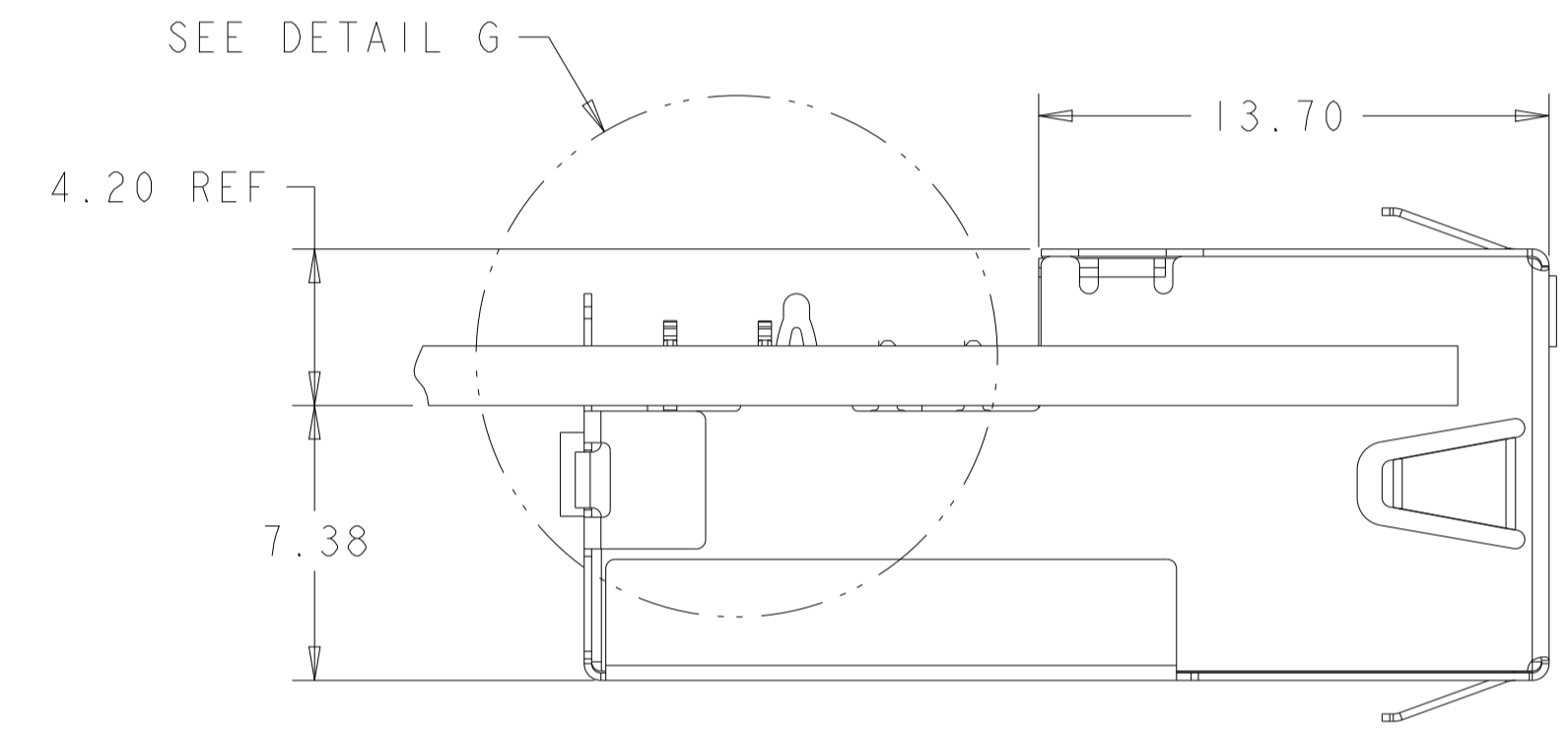
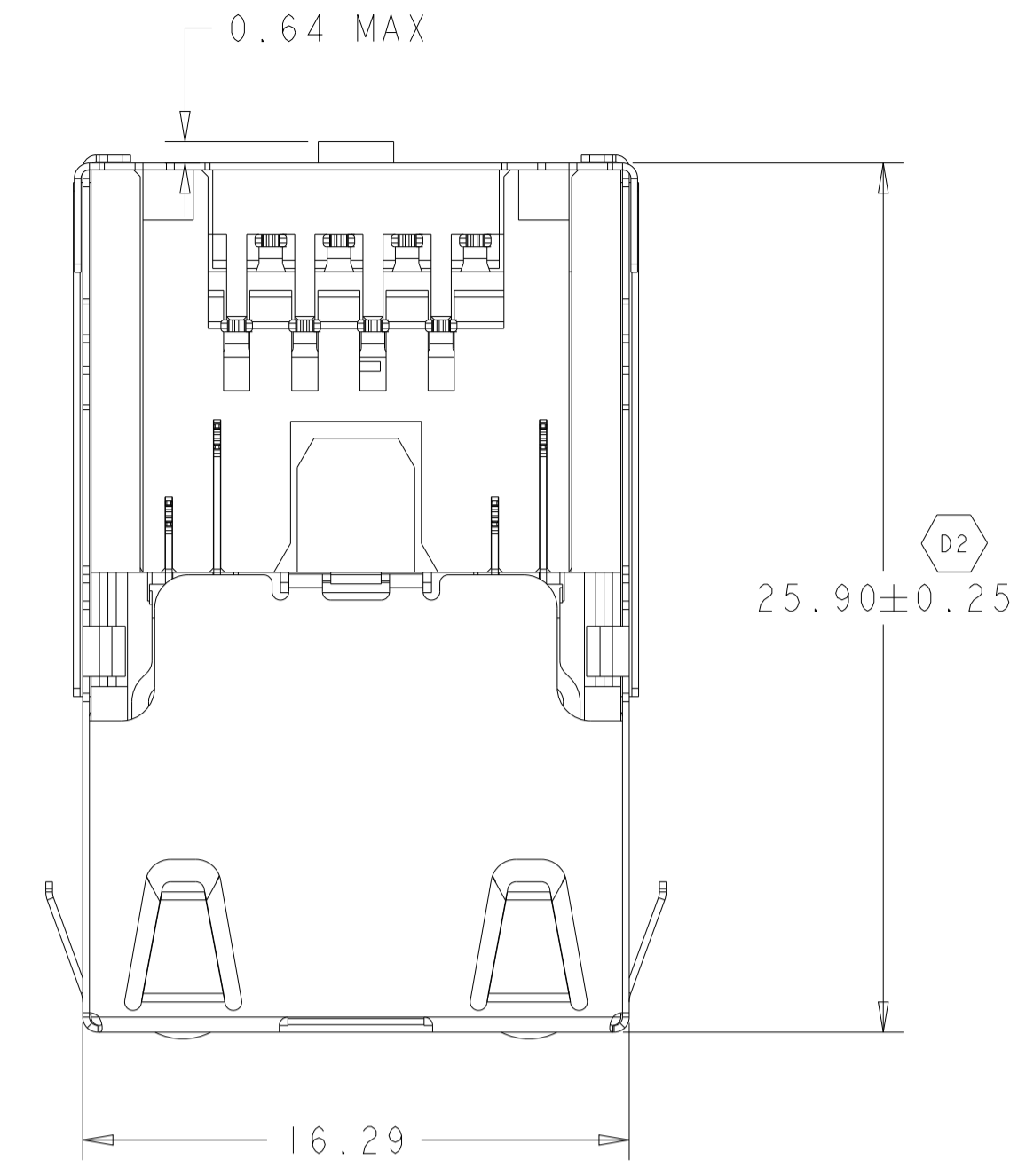
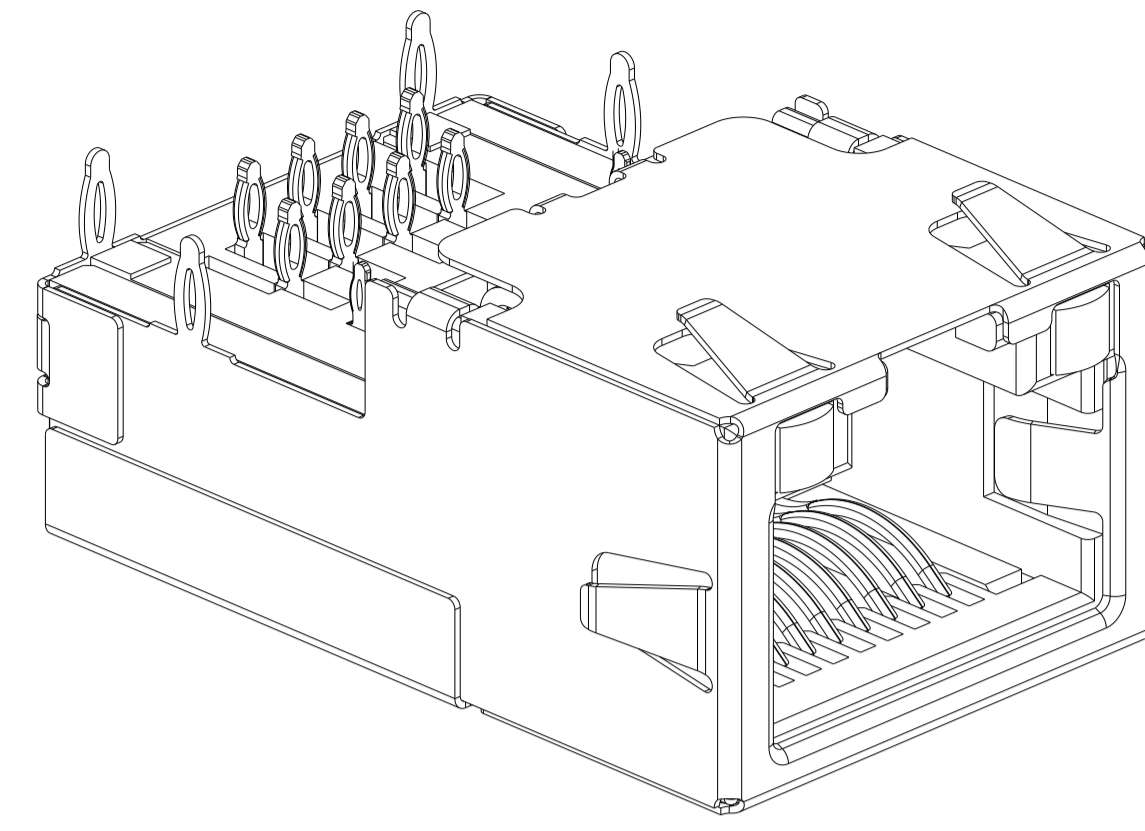
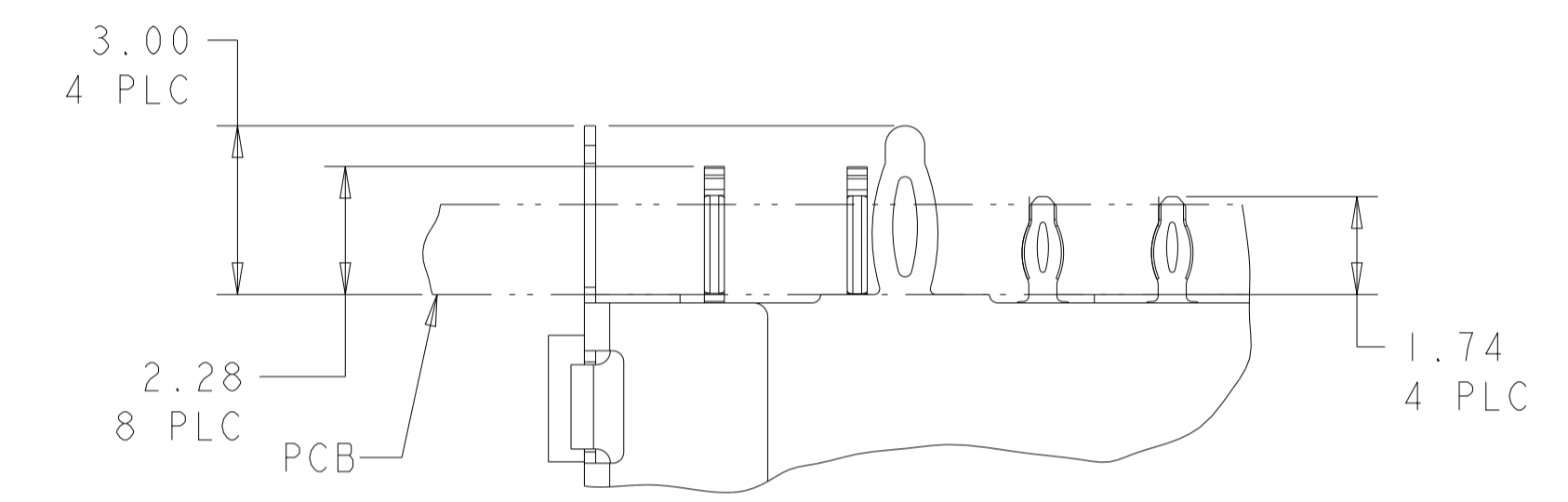
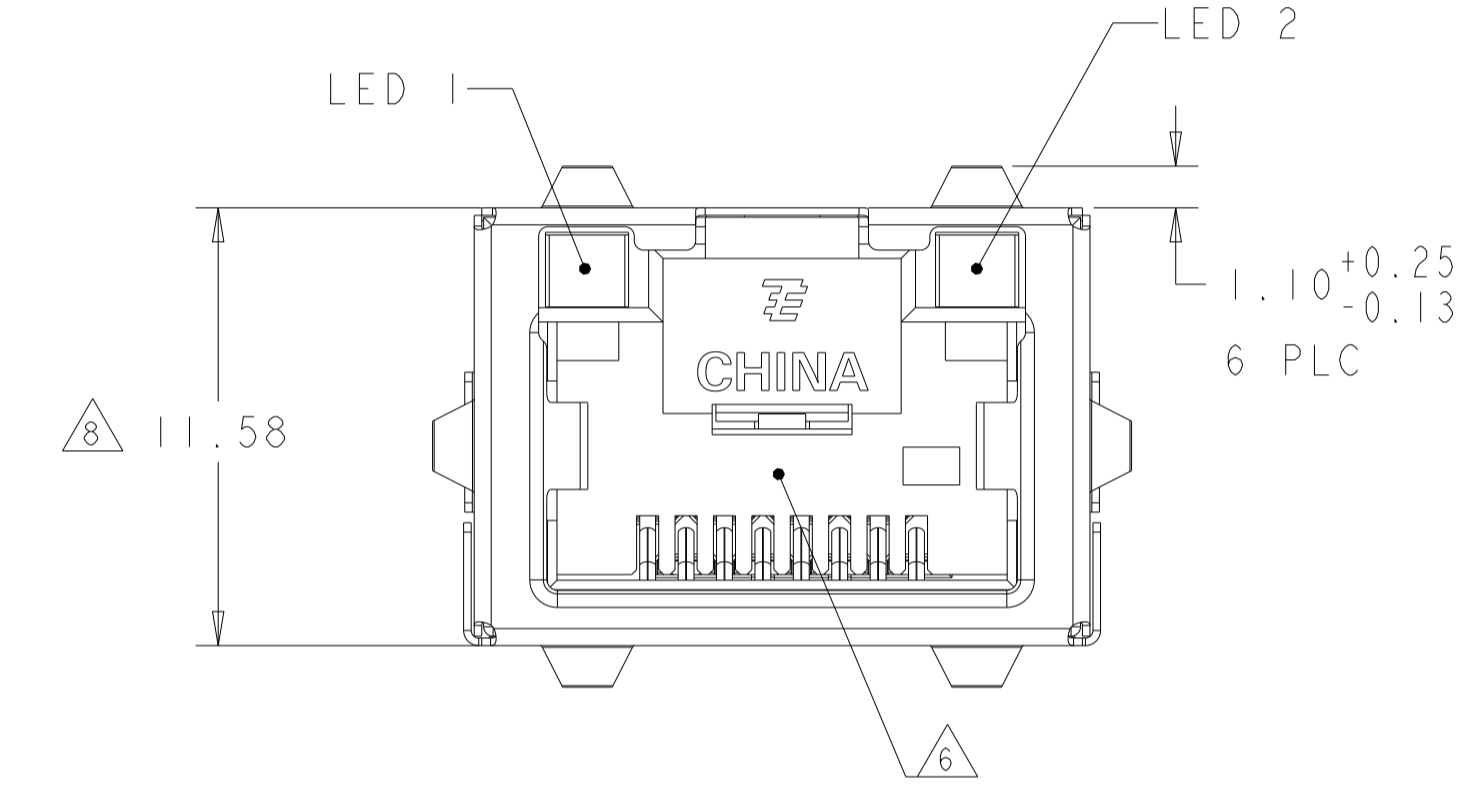


LOC	DIST	REVISIONS			
P	LTN	DESCRIPTION	DATE	OWN	APVD
C	ECR-12-002445		09FEB2012	JJ	-
D	ECO-18-005828		27MAR2018	LL	SH
D1	ECR-24-214374		10JUL2024	RK	PSS
D2	REVISED PER ECN-26-387025		21APR2026	NG	RK

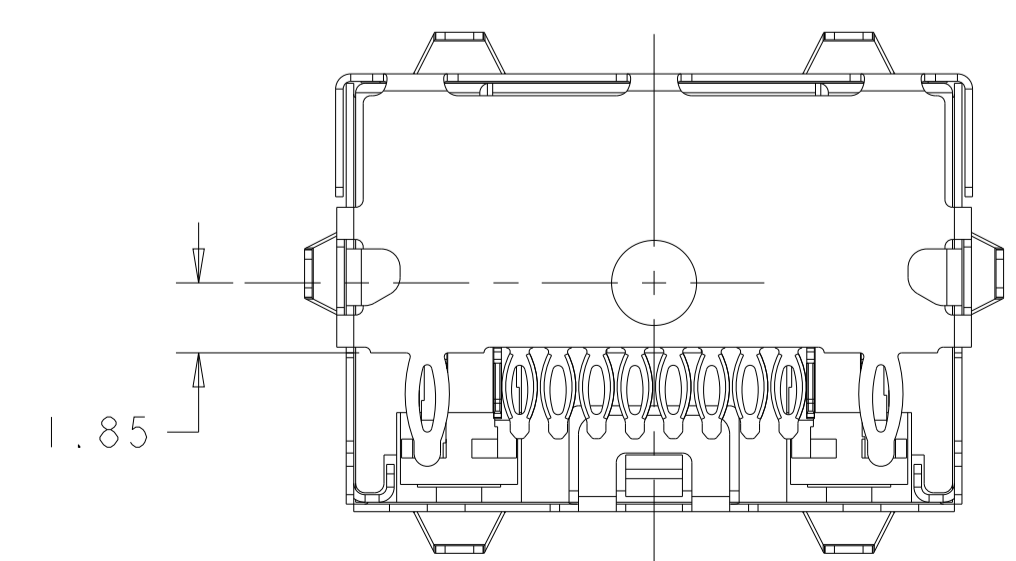
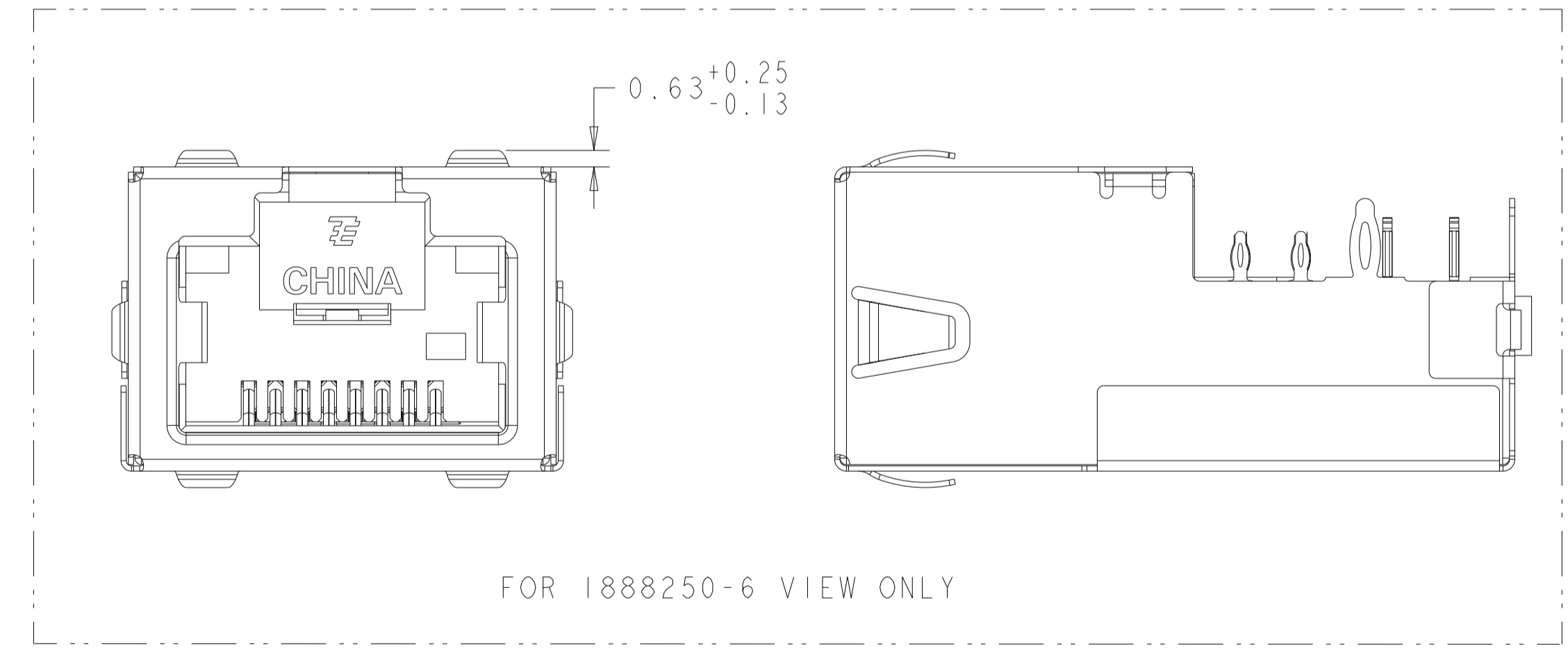
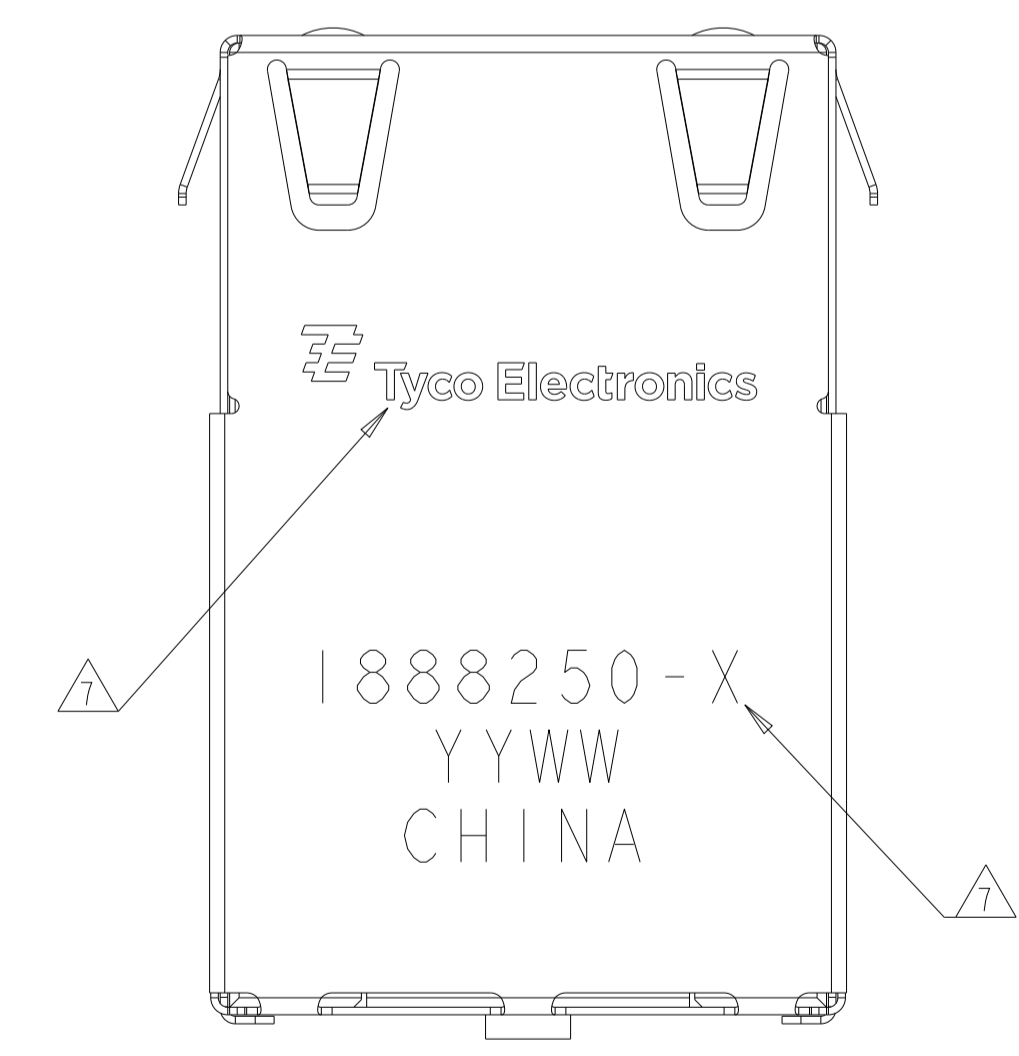


VIEW SHOWN ASSEMBLED TO PCB ONLY



DETAIL G SCALE 8:1

- MATERIALS:  
 HOUSING: BLACK THERMOPLASTIC, 94V-0.  
 SHIELD: COPPER ALLOY WITH 0.76 μm MIN NICKEL PLATE  
 CONTACTS: PHOSPHOR BRONZE WITH 1.27 μm MIN GOLD AT MATING INTERFACE OVER 1.27 μm MIN NICKEL UNDERPLATE.
  - PERFORMANCE:  
 INSERTION LOSS: 0.4dB @ 100 MHz.  
 RETURN LOSS: 12.0dB @ 100 MHz.  
 CROSSTALK ATTENUATION: -43dB MINIMUM @ 100 MHz  
 CURRENT: 0.6 AMPERE MAXIMUM PER SINGAL CONTACT.
  - LED'S COMPLIANT WITH IEC60825-1 SAFETY OF LASER PRODUCTS WHEN OPERATED AT CURRENT OF 20mA.
  - ALL DIMENSIONS NOMINAL.
  - RECOMMENDED MOTHERBOARD PCB THICKNESS: 1.60 ± 0.16.
- ⚠️ RJ45 PORT CONFORMS TO FCC RULES AND REGULATIONS PART 68 SUB-PART F.
- ⚠️ TE LOGO, PART NUMBER, DATE CODE AND COUNTRY OF ORIGIN TO BE MARKED IN APPROXIMATE LOCATION SHOWN.
- ⚠️ THIS DIMENSION MEETS THE ADVANCED MEZZANINE CARD (AMC) SPECIFICATION.
- ⚠️ PIN 9,10,11,12 ARE LED LEAD PINS, For 1888250-3, NO LED INTEGRATED, HOLES ON PCB FOR THESE PINS ARE ONLY OPTIONAL.
- ⚠️ LED WAVELENGTH FOR THE PN 1888250-7:  
 GREEN: 520nm ~ 525nm; YELLOW: 590nm ± 5nm.



LED #1	LED #2	PART NUMBER
GRN/YEL	GRN/YEL	1888250-7
-	-	1888250-6
YELLOW	GREEN	1888250-5
GREEN	GREEN	1888250-4
-	-	1888250-3
GRN/YEL	GRN/YEL	1888250-2
GREEN	YELLOW	1888250-1

THIS DRAWING IS A CONTROLLED DOCUMENT. OWN: MS/L.A.MAYER 15FEB2008  
 CHG: J.WESTMAN 15FEB2008  
 APVD: S.FLICKINGER 15FEB2008  
 NAME: S.FLICKINGER

TE Connectivity

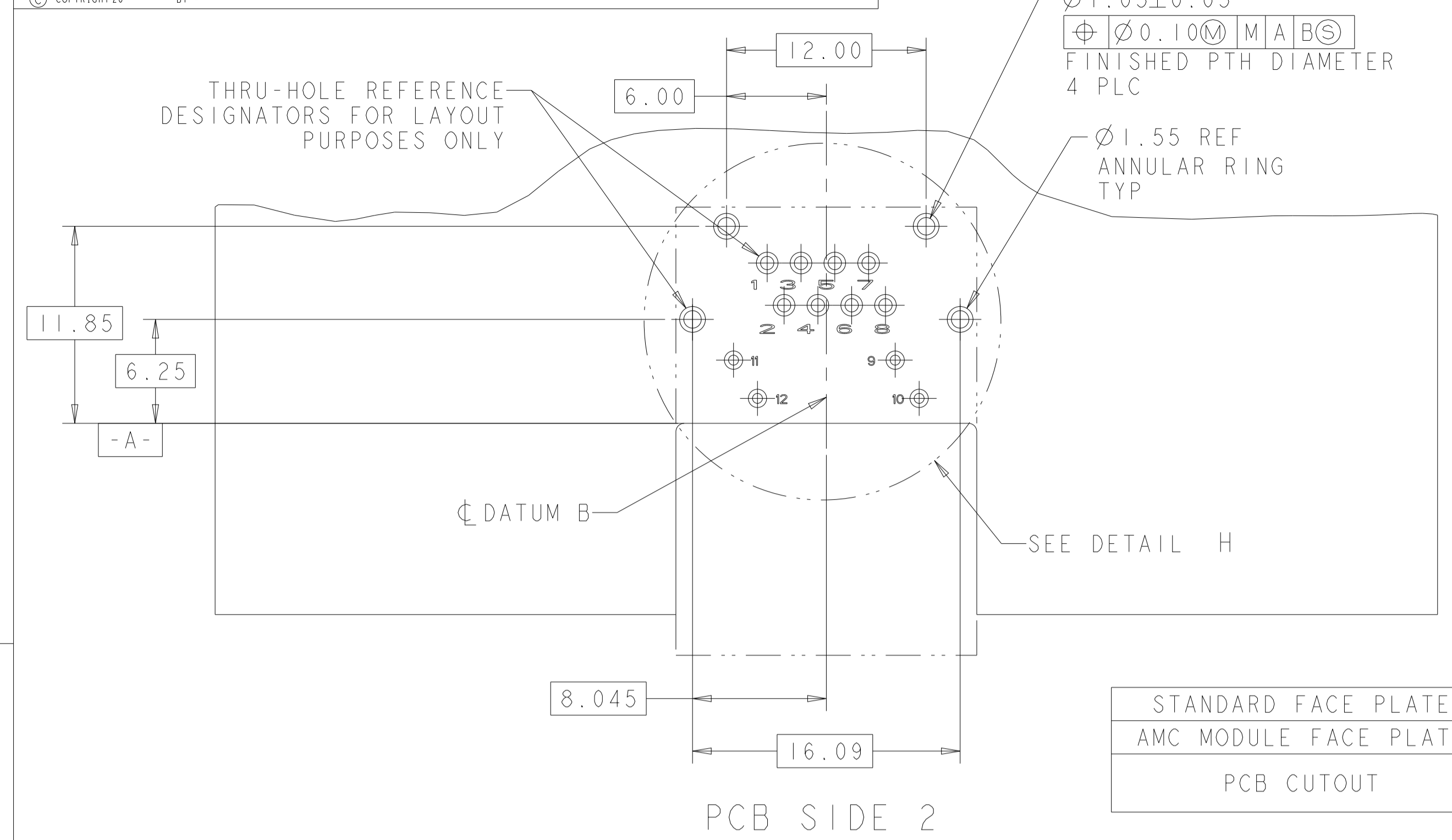
CONNECTOR ASSEMBLY, LOW PROFILE, PRESS FIT, MODULAR JACK, 1X1, RJ45

SIZE: A1 00779 C=1888250  
 SCALE: 5:1 SHEET 1 OF 3 REV D2

LOC	DIST	REV	DATE	BY	APPV
AA	00				

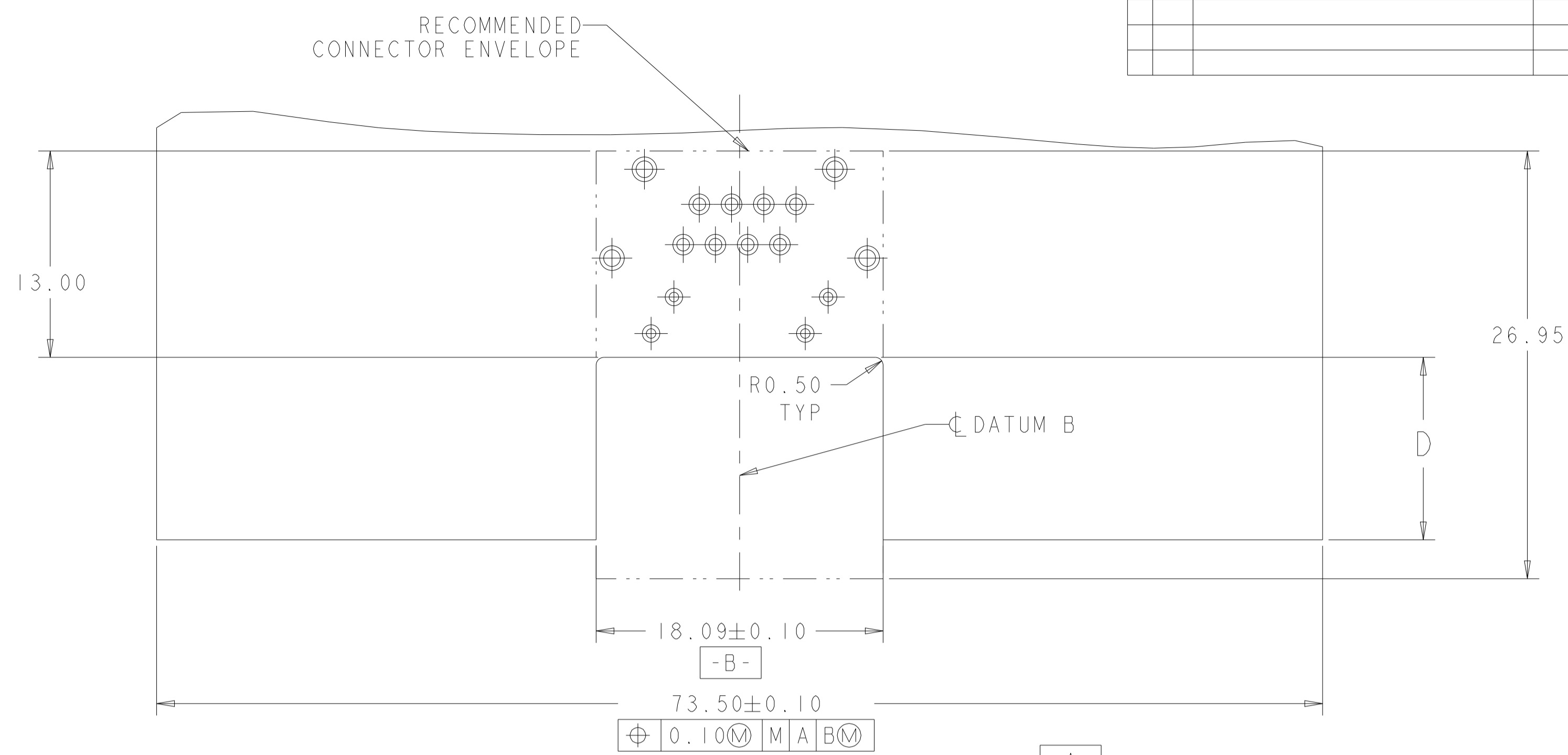
  

REVISIONS		DATE	BY	APPV
1	SEE SHEET 1			

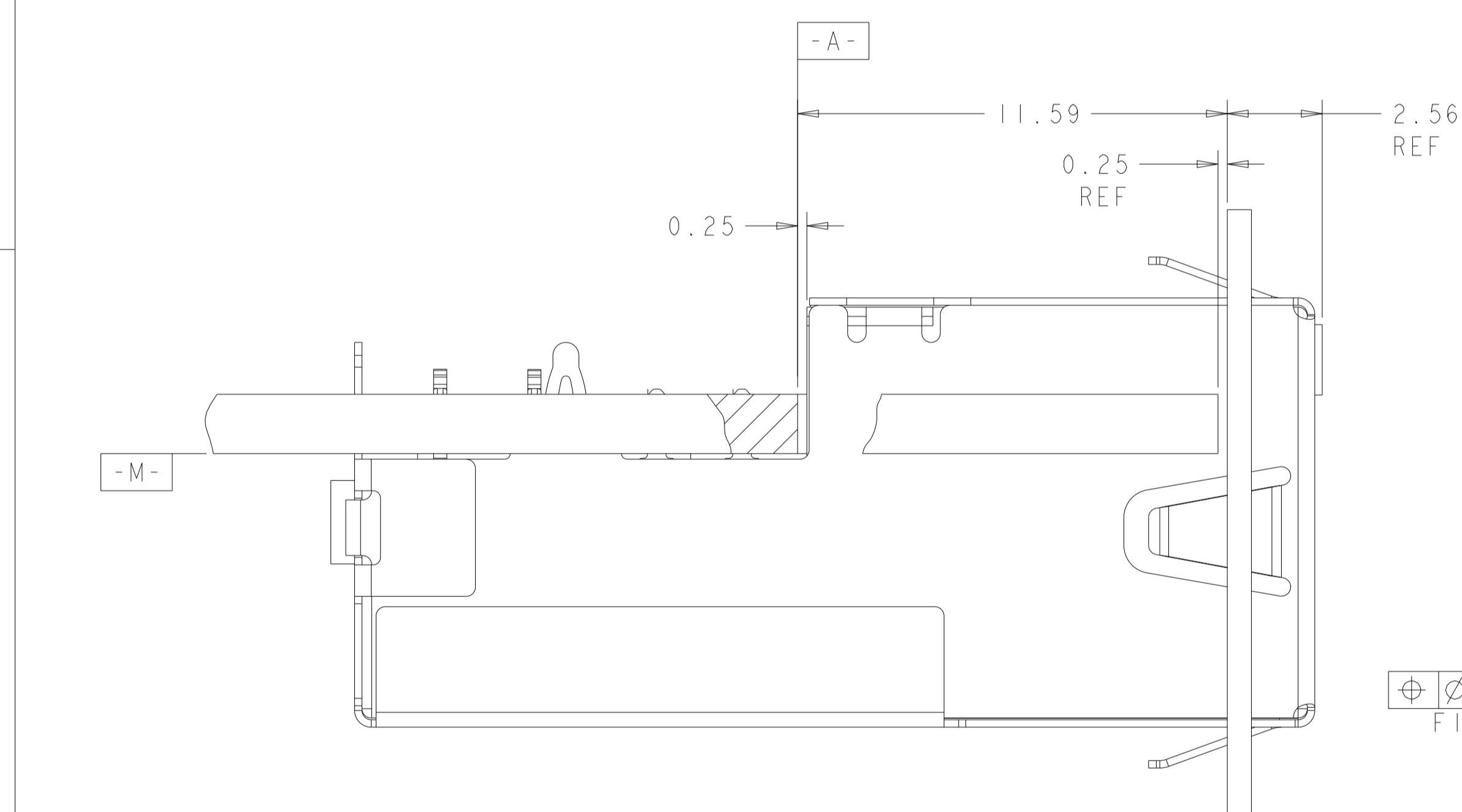


STANDARD FACE PLATE	11.34
AMC MODULE FACE PLATE	11.50
PCB CUTOUT	D

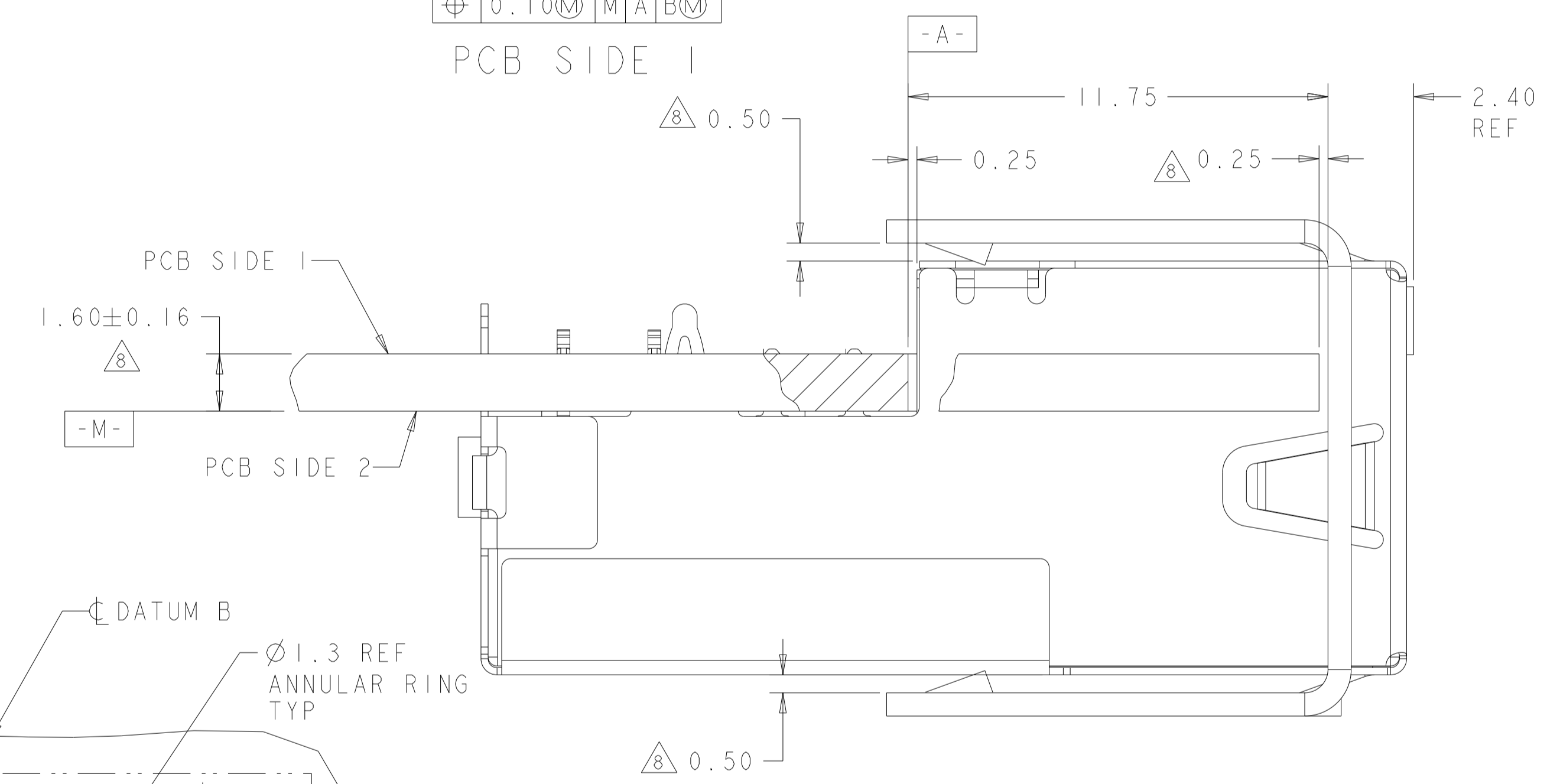
PCB SIDE 2



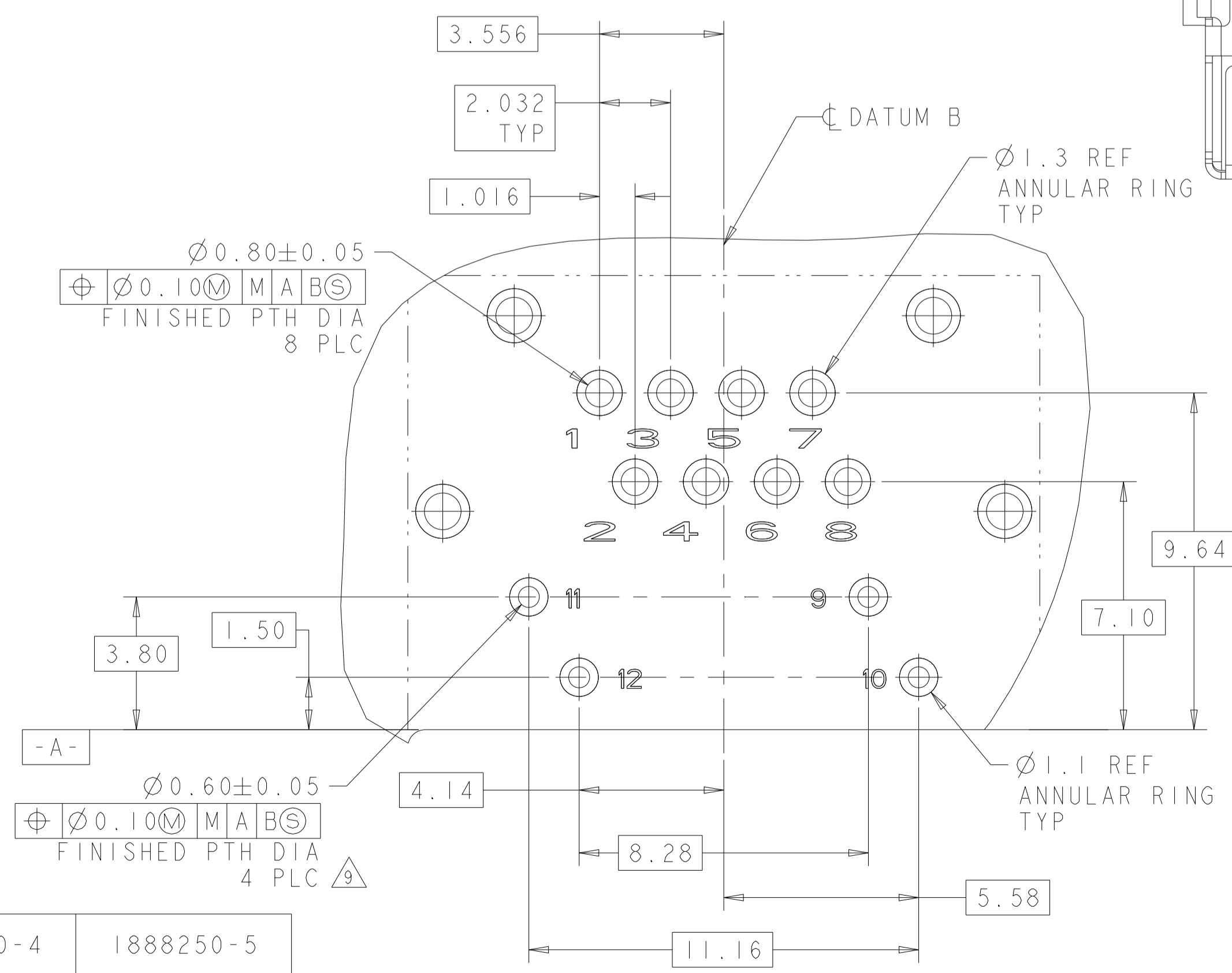
PCB SIDE 1



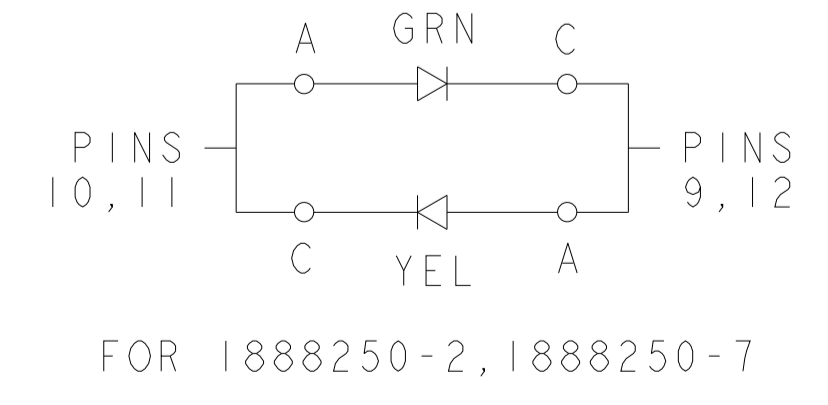
VIEW SHOWN ASSEMBLED TO PCB AND RECOMMENDED STANDARD FACE PLATE SCALE 8:1



VIEW SHOWN ASSEMBLED TO PCB AND RECOMMENDED AMC MODULE FACE PLATE SCALE 8:1



DETAIL H SIDE 2 SCALE 8:1



	PIN #	1888250-1	1888250-2 1888250-7	1888250-3 1888250-6	1888250-4	1888250-5
LED 1	9	CATHODE (-)	ANODE (YEL), CATHODE (GRN)	-	CATHODE (-)	CATHODE (-)
	10	ANODE (+)	ANODE (GRN), CATHODE (YEL)	-	ANODE (+)	ANODE (+)
LED 2	11	ANODE (+)	ANODE (GRN), CATHODE (YEL)	-	ANODE (+)	ANODE (+)
	12	CATHODE (-)	ANODE (YEL), CATHODE (GRN)	-	CATHODE (-)	CATHODE (-)

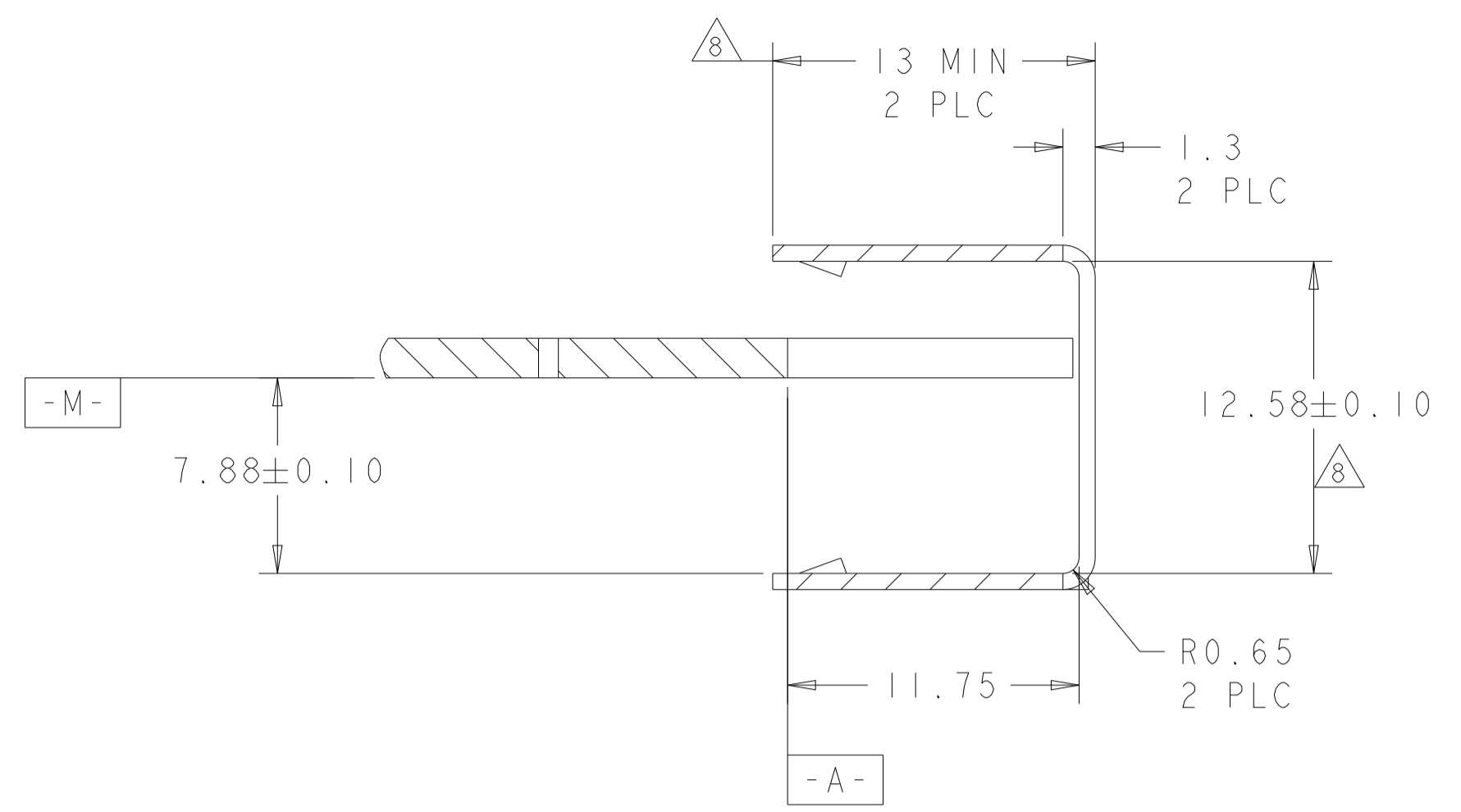
THIS DRAWING IS A CONTROLLED DOCUMENT. OWN: MS/L.A.MAYER 15FEB2008  
 CHK: J.WESTMAN 15FEB2008  
 APVD: S.FLICKINGER 15FEB2008  
 NAME: S.FLICKINGER  
 PRODUCT SPEC: 108-2274  
 APPLICATION SPEC: 114-13179  
 WEIGHT: -  
 CUSTOMER DRAWING

**STE** TE Connectivity

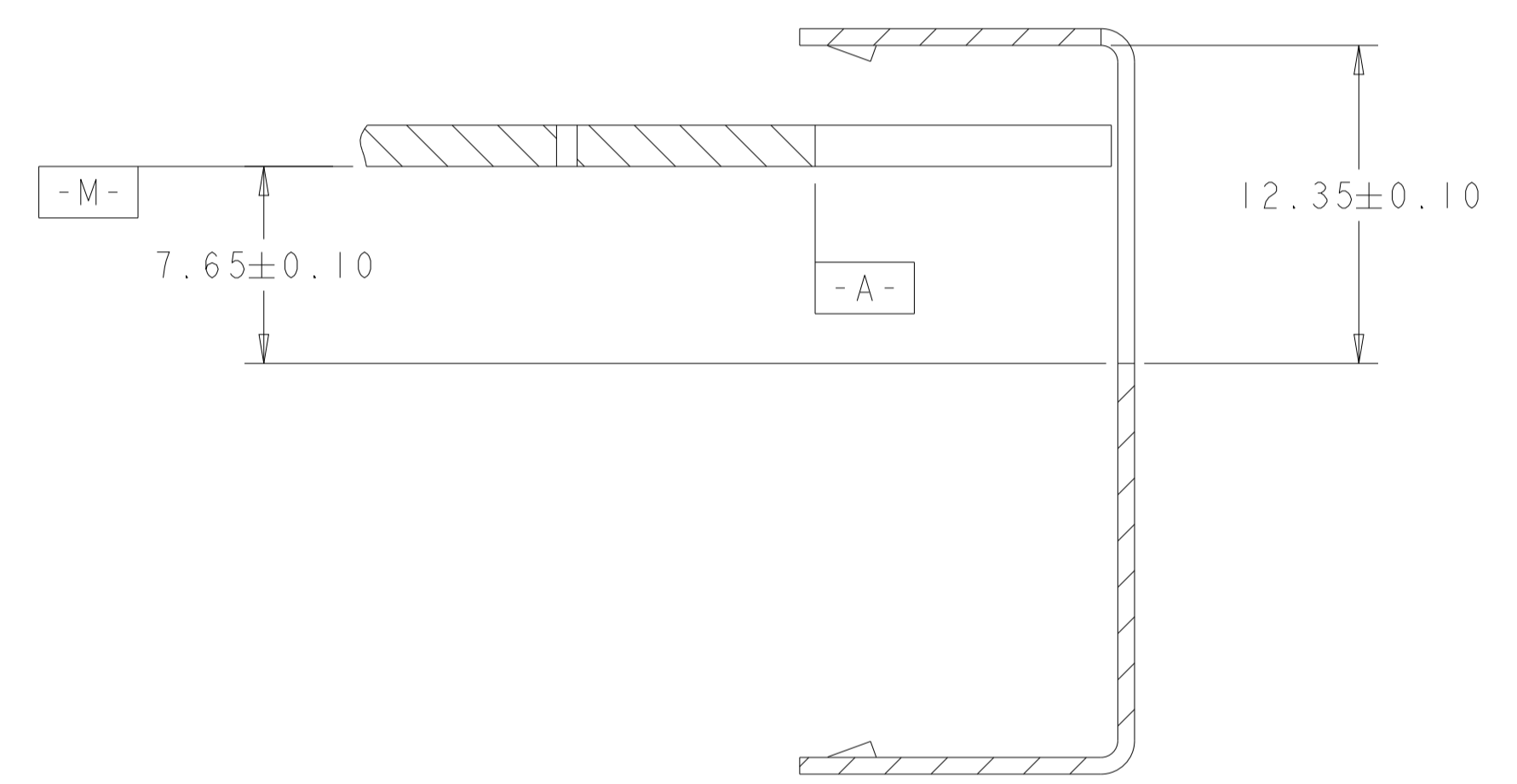
CONNECTOR ASSEMBLY, LOW PROFILE, PRESS FIT, MODULAR JACK, 1X1, RJ45

SIZE: A1  
 CAGE CODE: 100779  
 DRAWING NO: 1888250  
 SCALE: 5:1  
 SHEET 2 OF 3  
 REV D2

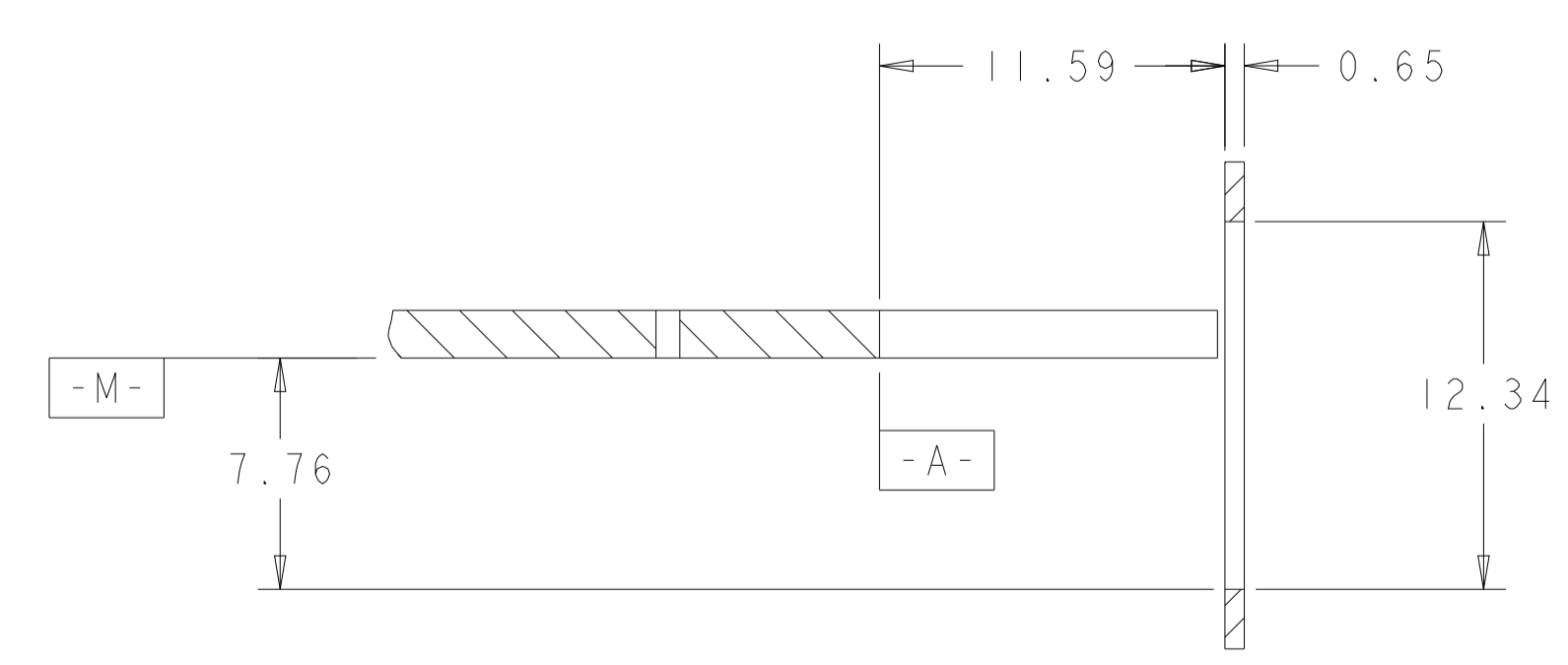
LOC	DIST	REVISIONS					
		P	LTN	DESCRIPTION	DATE	DMN	APVD
AA	00	-	-	SEE SHEET 1	-	-	-



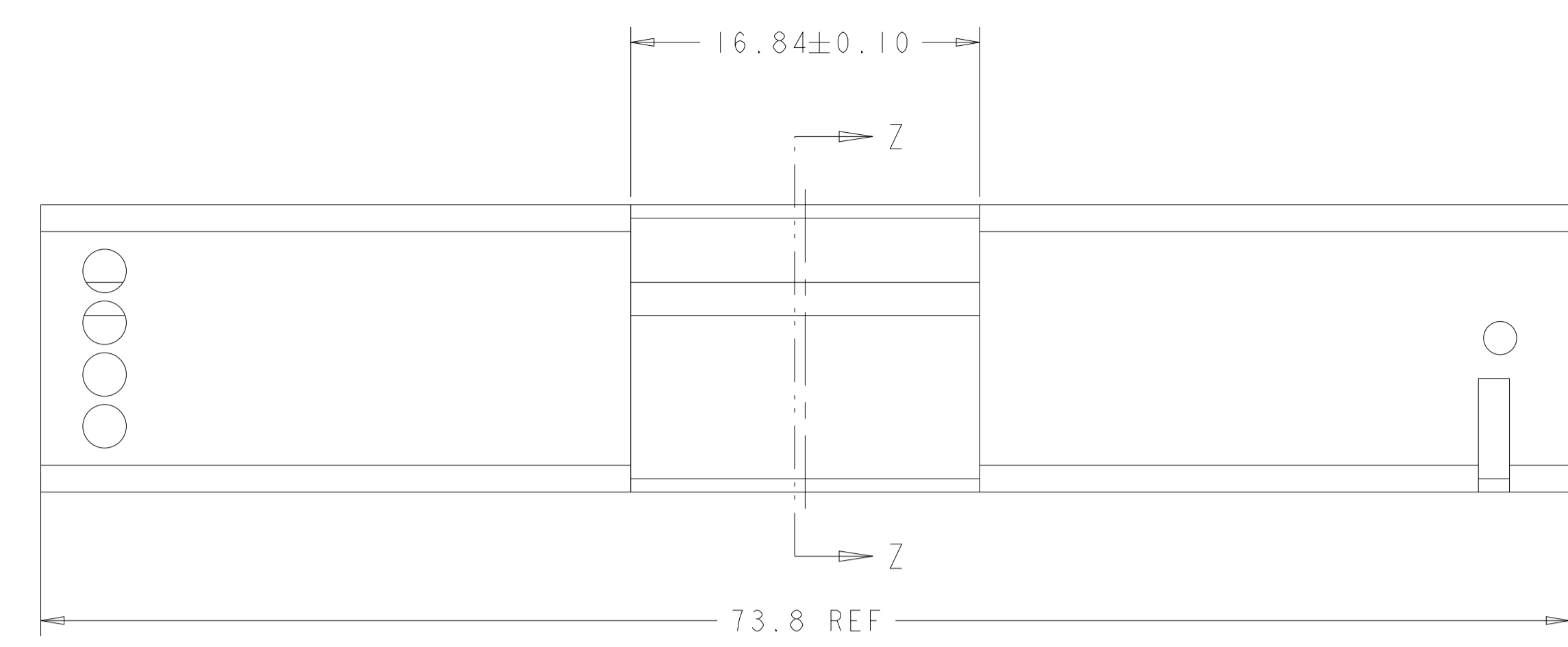
SECTION Z-Z



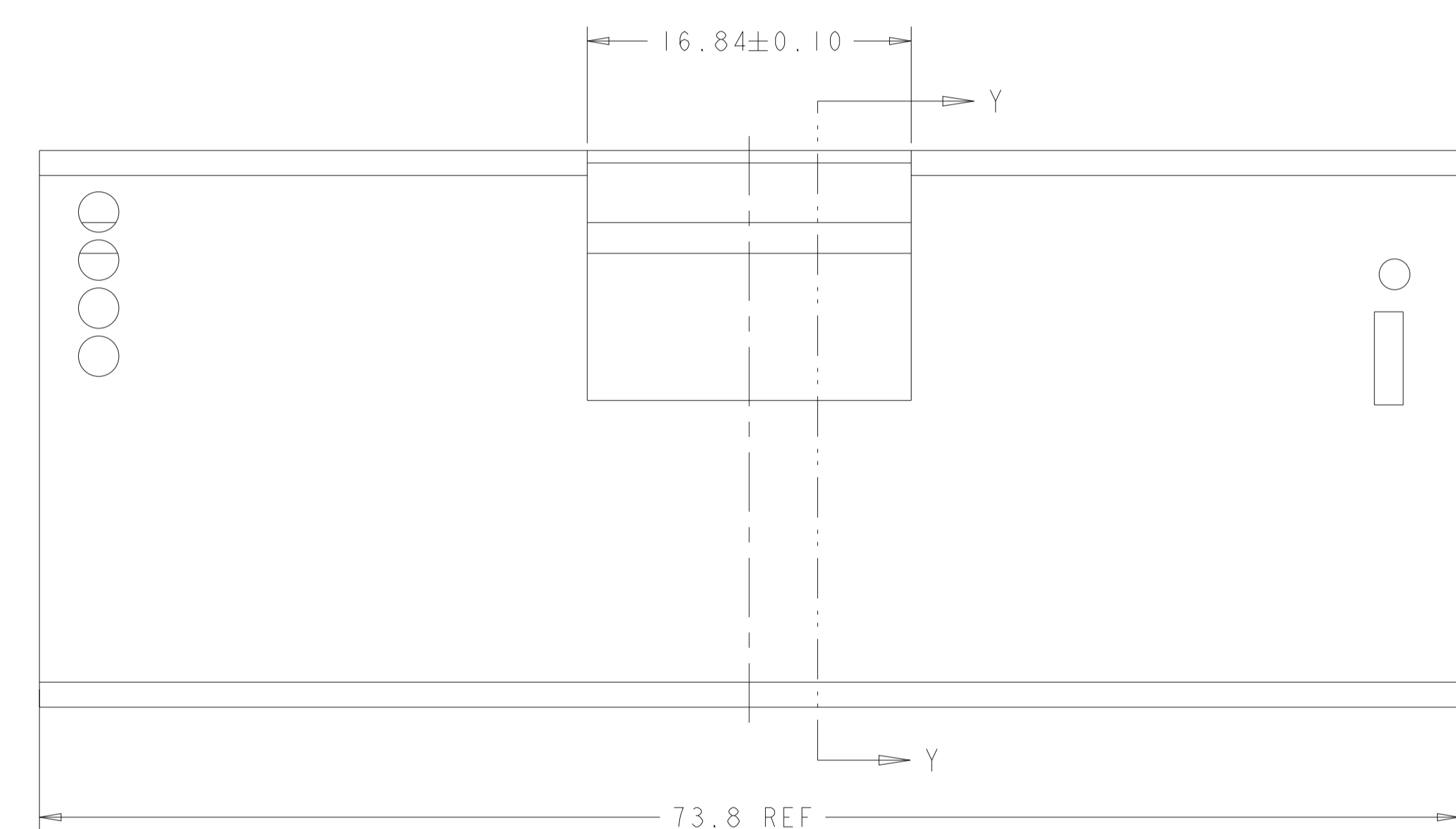
SECTION Y-Y



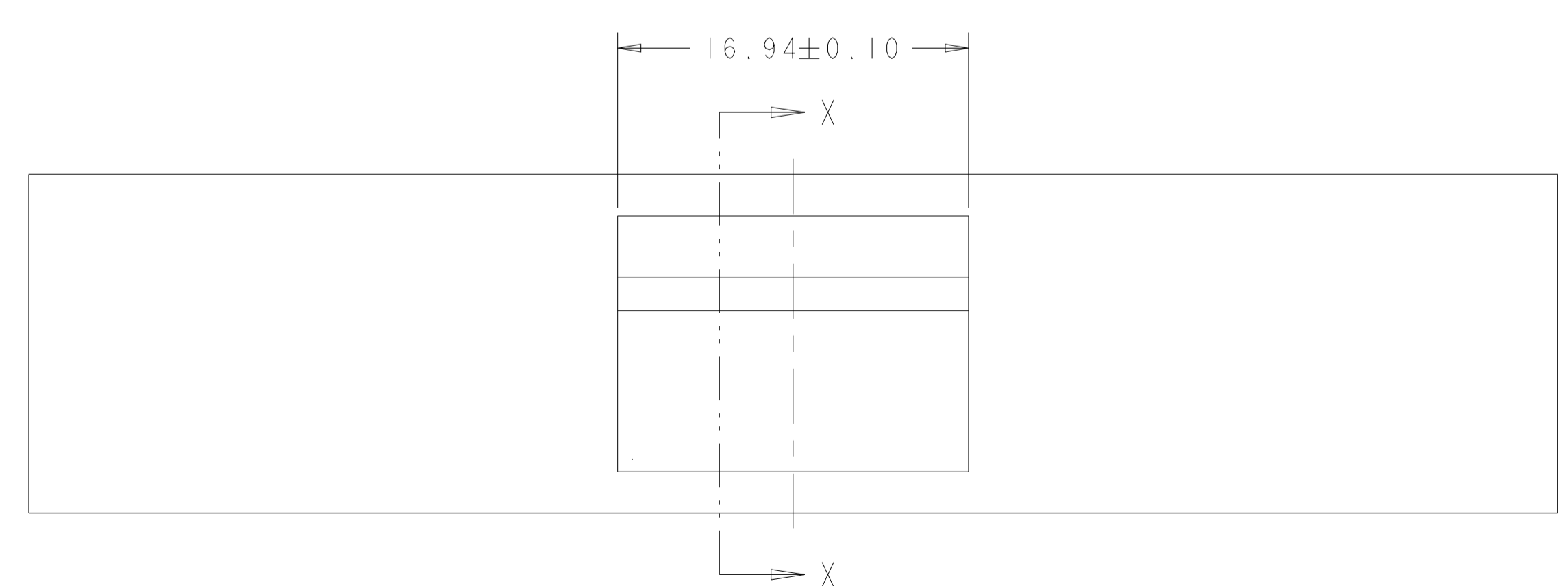
SECTION X-X



AMC SINGLE WIDTH, HALF HEIGHT MODULE FACE PLATE  
SCALE 4:1



AMC SINGLE WIDTH, FULL HEIGHT MODULE FACE PLATE  
SCALE 4:1



STANDARD FACE PLATE  
SCALE 4:1

THIS DRAWING IS A CONTROLLED DOCUMENT.		DMN: MS/L.A.MAYER 15FEB2008	
DIMENSIONS: mm		CHK: J.WESTMAN 15FEB2008	
TOLERANCES UNLESS OTHERWISE SPECIFIED:		APVD: S.FLICKINGER 15FEB2008	NAME: CONNECTOR ASSEMBLY, LOW PROFILE, PRESS FIT, MODULAR JACK, 1X1, RJ45 PRODUCT SPEC: 108-2274 APPLICATION SPEC: 114-13179
0 PLC ± 1 PLC ± 2 PLC ±0.13 3 PLC ± 4 PLC ± ANGLES ±° FINISH SEE NOTE 1		SIZE: A1 CAGE CODE: 100779 DRAWING NO: C=1888250 WEIGHT: - CUSTOMER DRAWING	
MATERIAL: SEE NOTE 1		RESTRICTED TO: -	SCALE: 5:1 SHEET: 3 OF 3 REV: D2