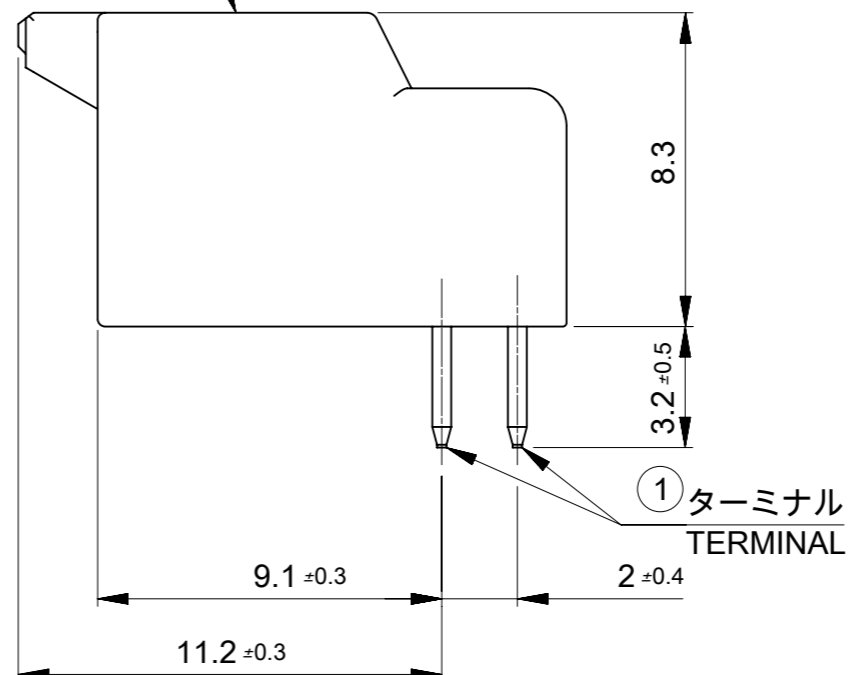
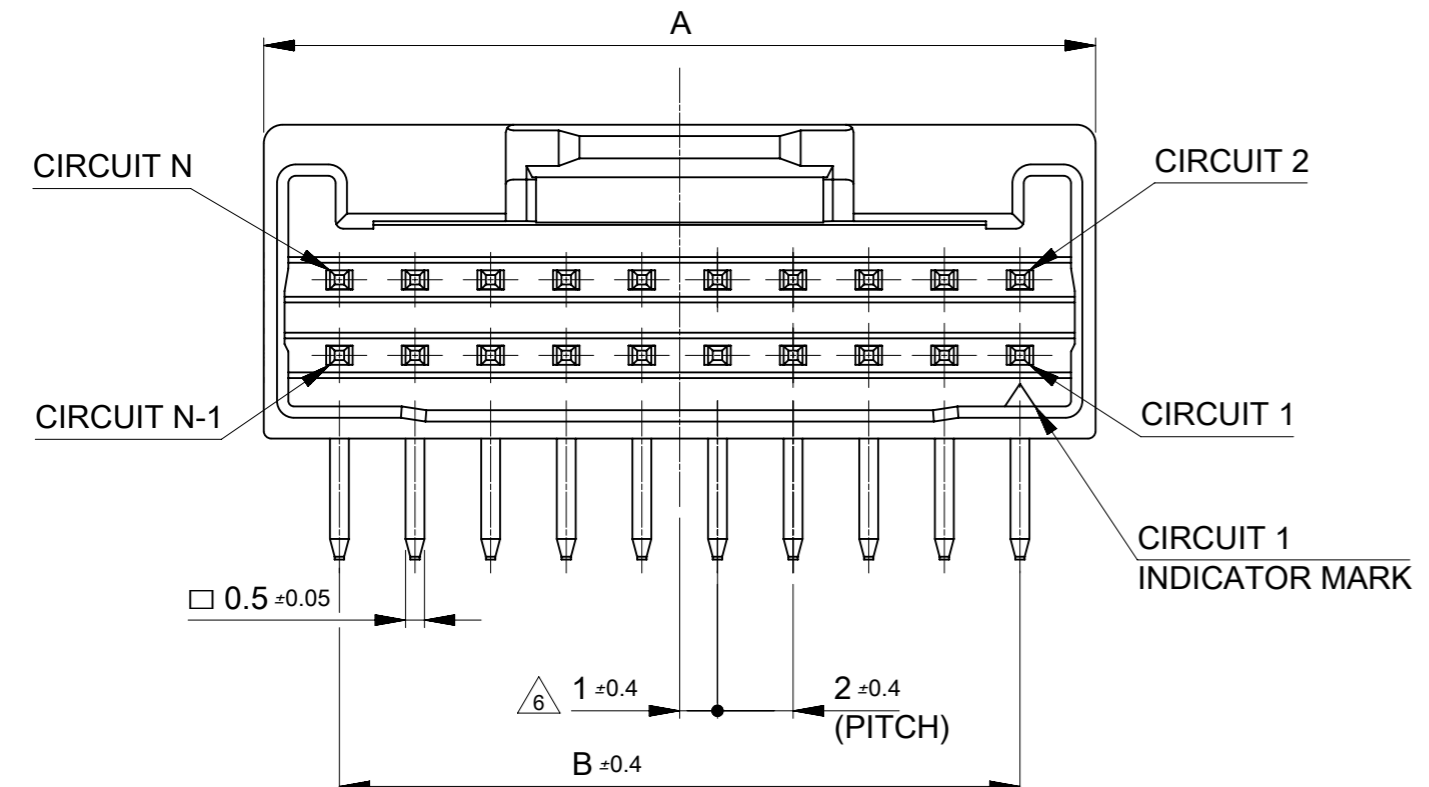


②ハウジング  
HOUSING



9.2	38	42	40
9.2	36	40	38
9.2	34	38	36
9.2	32	36	34
9.2	30	34	32
9.2	28	32	30
9.2	26	30	28
9.2	24	28	26
9.2	22	26	24
9.2	20	24	22
9.2	18	22	20
9.2	16	20	18
9.2	14	18	16
9.2	12	16	14
9.2	10	14	12
7.3	8	12	10
C	B	A	極数 CIRCUIT SIZE

△ TABLE 1

番号 No.	部品 PART	材質 MATERIAL	
①	ターミナル TERMINAL	黄銅, BRASS	
		下地めっき UNDER PLATING	ニッケルめっき 1 micro-meter MIN NICKEL PLATING 1 micro-meter MIN
		コンタクト CONTACT	金めっき 0.1/0.38/0.76 micro-meters MIN GOLD PLATING 0.1/0.38/0.76 micro-meters MIN
		テール SOLDER TAIL	無光沢錫めっき 1 micro-meter MIN MATTE TIN PLATING 1 micro-meter MIN
②	ハウジング HOUSING	ポリアミド(PA)ガラス入り, UL94V-0, 色 : SEE CHART POLYAMIDE(PA) GLASS FILLED, UL94V-0, COLOR : SEE CHART	

THIS DRAWING CONTAINS INFORMATION THAT IS PROPRIETARY TO MOLEX ELECTRONIC TECHNOLOGIES, LLC AND SHOULD NOT BE USED WITHOUT WRITTEN PERMISSION

DIMENSION UNITS	SCALE	CURRENT REV DESC: REMOVED OBSOLETE PART NUMBERS AS PER PCN#5154356.	
mm	NTS		
GENERAL TOLERANCES (UNLESS SPECIFIED)			
ANGULAR TOL	± 3.0 °		
4 PLACES	± 0.2	EC NO: 803783	2024/11/04
3 PLACES	± 0.2	DRWN: RAVINR1	2024/11/19
2 PLACES	± 0.2	CHK'D: GGA	2024/11/19
1 PLACE	± 0.2	APPR: GGA	2024/11/19
0 PLACES	± 0.2	INITIAL REVISION:	
DRAFT WHERE APPLICABLE MUST REMAIN WITHIN DIMENSIONS		DRWN: SNAKAMURA08	2019/10/08
		APPR: KOMURAKAMI	2020/03/18
THIRD ANGLE PROJECTION	DRAWING	SERIES	MATERIAL NUMBER
THIRD ANGLE PROJECTION	A3-SIZE	208659	SEE CHART
		CUSTOMER	SHEET NUMBER
		GENERAL	1 OF 4

**molex**

IGRID 2.0 WIRE TO BOARD  
RIGHT ANGLE TH PLUG ASSEMBLY GOLD PLATING

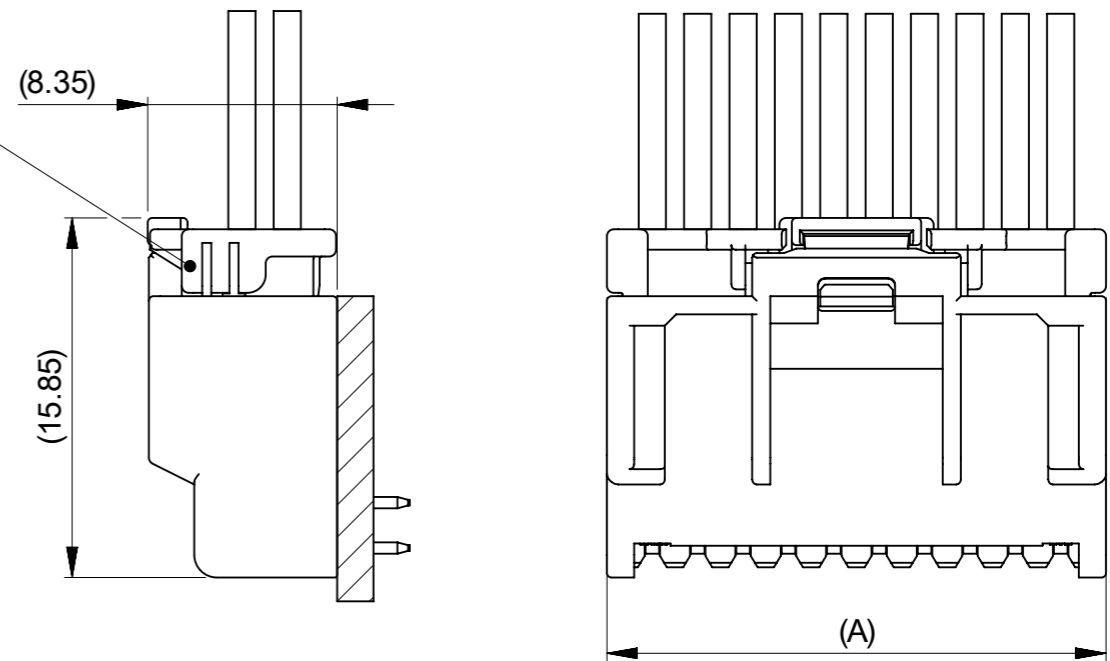
PRODUCT CUSTOMER DRAWING

DOCUMENT NUMBER: 2086590000-SD  
DOC TYPE: PSD  
DOC PART: 000  
REVISION: B1

**NOTES.**

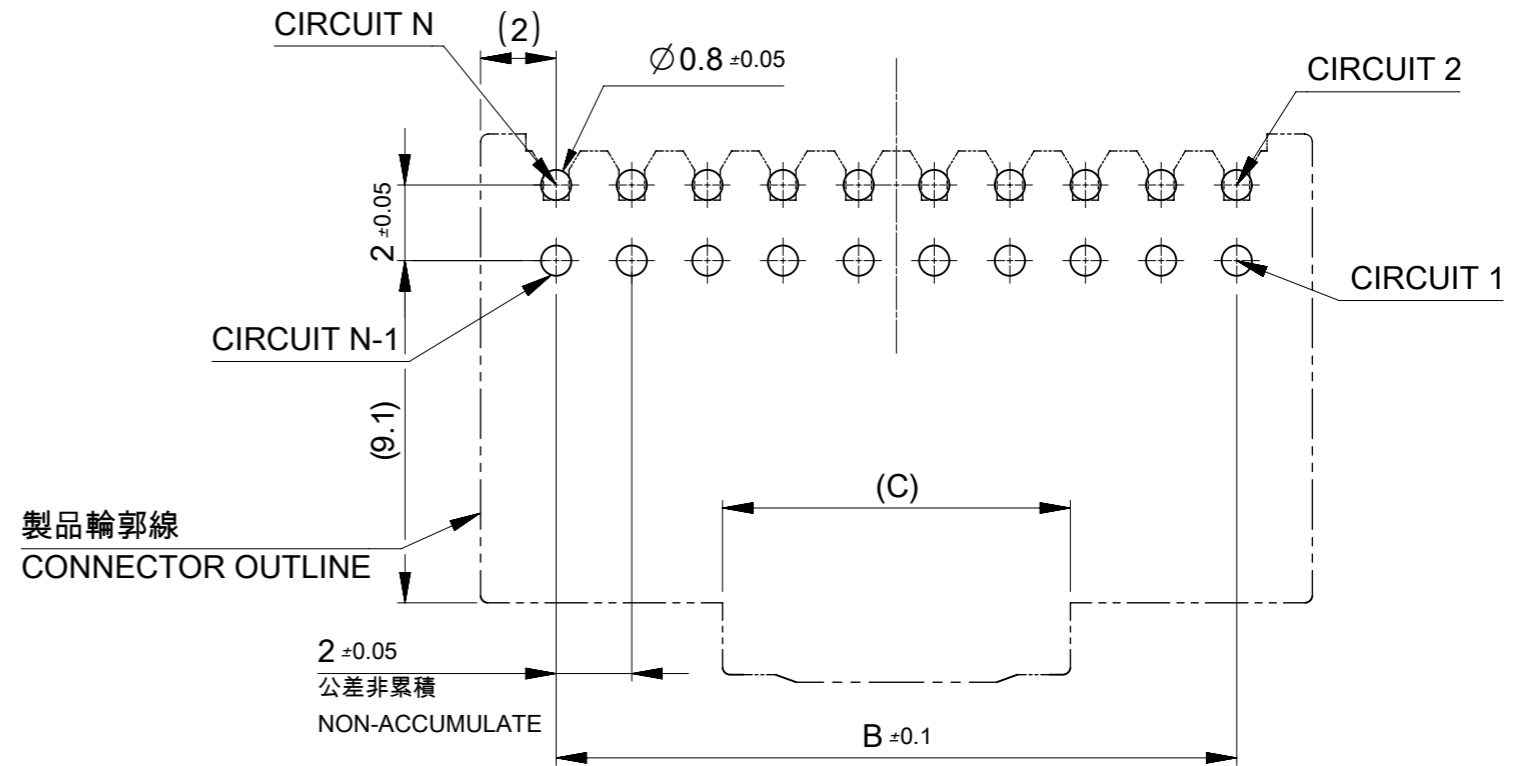
- 1 材料及び仕上げ(めっき仕様) : TABLE 1 参照  
MATERIAL AND FINISHES : SEE TABLE 1
- 2 適用製品及び各種仕様書はSHEET 3を御参照ください。  
PLEASE REFER TO SHEET 3 ABOUT APPLICABLE PRODUCTS AND VARIOUS SPECIFICATIONS.
- 3. 本製品は金めっき品です。錫めっき品は5018760000-SD/PSD/000を御参照ください。  
THIS PRODUCT IS A GOLD PLATING. FOR TIN PLATING PRODUCT,  
PLEASE REFER TO 5018760000-SD/PSD/000.
- 4 極数/2 = 偶数に適用  
APPLY FOR CIRCUIT SIZE / 2 =EVEN
- 5. ソルダーテール部に錫めっきを使用している為、外観に摺動痕が付く場合があります。  
THE WOUND OF FRICTION MIGHT ADHERE TO EXTERNALS  
BECAUSE THE TIN PLATING IS USED IN SOLDER-TAIL PART.
- 6 発注番号 : SHEET 4 参照  
ORDER No. : PLEASE REFER TO SHEET 4 FOR PRODUCT LIST

嵌合相手 501646 SERIES  
MATE WITH : 501646 SERIES



嵌合図  
MATED CONNECTORS

208659	****	ハウジングカラー HOUSING COLOR
極数 CIRCUIT SIZE		0:ナチュラル NATURAL (白 WHITE)
		1:黒 BLACK
		金めっき厚 GOLD PLATING THICKNESS
		4 : 0.1 micro-meters MIN
		6 : 0.38 micro-meters MIN
		7 : 0.76 micro-meters MIN



基板取付穴推奨寸法(マウント面)  
RECOMMENDED PCB HOLE DIMENSION (MOUNTING SIDE)  
参考基板厚 t=1.2~1.6  
REFERANCE PCB THICKNESS t=1.2~1.6

THIS DRAWING CONTAINS INFORMATION THAT IS PROPRIETARY TO MOLEX ELECTRONIC TECHNOLOGIES, LLC AND SHOULD NOT BE USED WITHOUT WRITTEN PERMISSION									
DIMENSION UNITS	SCALE	CURRENT REV DESC: REMOVED OBSOLETE PART NUMBERS AS PER PCN#5154356.							
mm	NTS								
GENERAL TOLERANCES (UNLESS SPECIFIED)									
ANGULAR TOL	± 3.0 °	IGRID 2.0 WIRE TO BOARD RIGHT ANGLE TH PLUG ASSEMBLY GOLD PLATING							
4 PLACES	± 0.2	PRODUCT CUSTOMER DRAWING							
3 PLACES	± 0.2	DOCUMENT NUMBER							
2 PLACES	± 0.2	2086590000-SD							
1 PLACE	± 0.2	PSD 000 B1							
0 PLACES	± 0.2	SHEET NUMBER							
DRAFT WHERE APPLICABLE MUST REMAIN WITHIN DIMENSIONS		THIRD ANGLE PROJECTION	DRAWING	SERIES	MATERIAL NUMBER	CUSTOMER	SHEET NUMBER		
			A3-SIZE	208659	SEE CHART	GENERAL	2 OF 4		

△ 3 適用製品及び各種仕様書  
 APPLICABLE PRODUCTS AND VARIOUS SPECIFICATIONS

梱包仕様書 PACKAGING SPECIFICATION	PART NUMBER	DOCUMENT NUMBER
	208659 ****	2086599200-SPK PS 200

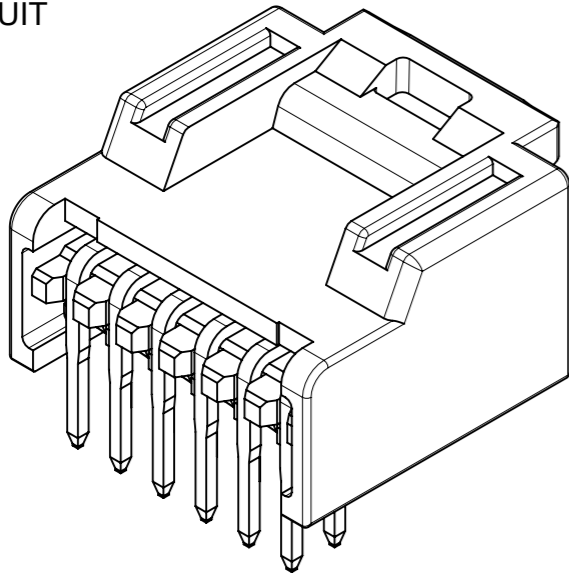
適用嵌合相手 MATE WITH	HOUSING	TERMINAL (GOLD PLATING)
		#22-28
シリーズ番号 SERIES NUMBER	501646 SERIES	503095 SERIES
製品仕様書 PRODUCT SPECIFICATION	5016460000-PS PS 000	
アプリケーション仕様書 APPLICATION SPECIFICATION	5016460000 PS A00	

THIS DRAWING CONTAINS INFORMATION THAT IS PROPRIETARY TO MOLEX ELECTRONIC TECHNOLOGIES, LLC AND SHOULD NOT BE USED WITHOUT WRITTEN PERMISSION														
DIMENSION UNITS	SCALE	CURRENT REV DESC: REMOVED OBSOLETE PART NUMBERS AS PER PCN#5154356.			molex									
mm	NTS				IGRID 2.0 WIRE TO BOARD RIGHT ANGLE TH PLUG ASSEMBLY GOLD PLATING									
GENERAL TOLERANCES (UNLESS SPECIFIED)		EC NO: 803783 DRWN: RAVINR1 2024/11/04 CHK'D: GGA 2024/11/19 APPR: GGA 2024/11/19			PRODUCT CUSTOMER DRAWING									
ANGULAR TOL ± 3.0 °					INITIAL REVISION: DRWN: SNAKAMURA08 2019/10/08 APPR: KOMURAKAMI 2020/03/18									
4 PLACES ± 0.2										DOCUMENT NUMBER				
3 PLACES ± 0.2										2086590000-SD				
2 PLACES ± 0.2										PSD 000 B1				
1 PLACE ± 0.2		MATERIAL NUMBER CUSTOMER SHEET NUMBER												
0 PLACES ± 0.2							SEE CHART GENERAL 3 OF 4							
DRAFT WHERE APPLICABLE MUST REMAIN WITHIN DIMENSIONS		THIRD ANGLE PROJECTION	DRAWING	SERIES	MATERIAL NUMBER		CUSTOMER		SHEET NUMBER					
			A3-SIZE	208659	SEE CHART		GENERAL		3 OF 4					

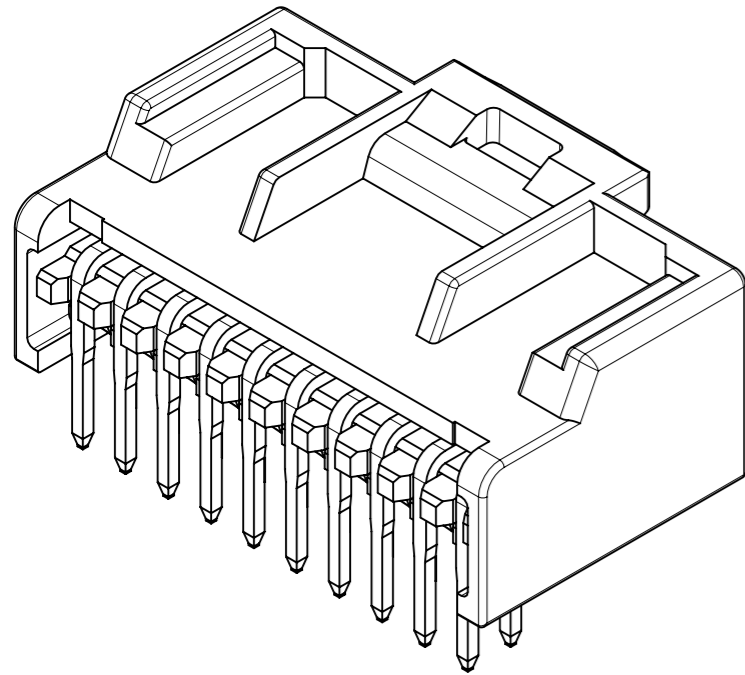
DOCUMENT STATUS	P1	RELEASE DATE	2024/11/19	08:37:21
-----------------	----	--------------	------------	----------

製品形状  
PRODUCT SHAPE

10, 12 極  
10, 12 CIRCUIT



14 - 40 極  
14 - 40 CIRCUIT



製品一覧 PRODUCT LIST

0.1 micro-meters MIN		接点部金めっき厚 GOLD PLATING THICKNESS ON CONTACT AREA
黒 : BLACK	ナチュラル : NATURAL (白 : WHITE)	HOUSING COLOR
208659 4041	208659 4040	40
∧ 3841	∧ 3840	38
3641	3640	36
3441	3440	34
3241	3240	32
3041	3040	30
2841	2840	28
2641	2640	26
2441	2440	24
2241	2240	22
2041	2040	20
1841	1840	18
1641	1640	16
1441	1440	14
∨ 1241	∨ 1240	12
208659 1041	208659 1040	10
発注番号 ORDER No.		極数
PACKAGING STYLE : TRAY		CIRCUIT SIZE

THIS DRAWING CONTAINS INFORMATION THAT IS PROPRIETARY TO MOLEX ELECTRONIC TECHNOLOGIES, LLC AND SHOULD NOT BE USED WITHOUT WRITTEN PERMISSION									
DIMENSION UNITS	SCALE	CURRENT REV DESC: REMOVED OBSOLETE PART NUMBERS AS PER PCN#5154356.							
mm	NTS								
GENERAL TOLERANCES (UNLESS SPECIFIED)									
ANGULAR TOL	± 3.0 °	IGRID 2.0 WIRE TO BOARD RIGHT ANGLE TH PLUG ASSEMBLY GOLD PLATING							
4 PLACES	± 0.2	PRODUCT CUSTOMER DRAWING							
3 PLACES	± 0.2	DOCUMENT NUMBER							
2 PLACES	± 0.2	2086590000-SD							
1 PLACE	± 0.2	DOC TYPE							
0 PLACES	± 0.2	PSD							
DRAFT WHERE APPLICABLE MUST REMAIN WITHIN DIMENSIONS		THIRD ANGLE PROJECTION		DRAWING	SERIES	MATERIAL NUMBER	CUSTOMER	DOC PART	REVISION
				A3-SIZE	208659	SEE CHART	GENERAL	000	B1
									4 OF 4