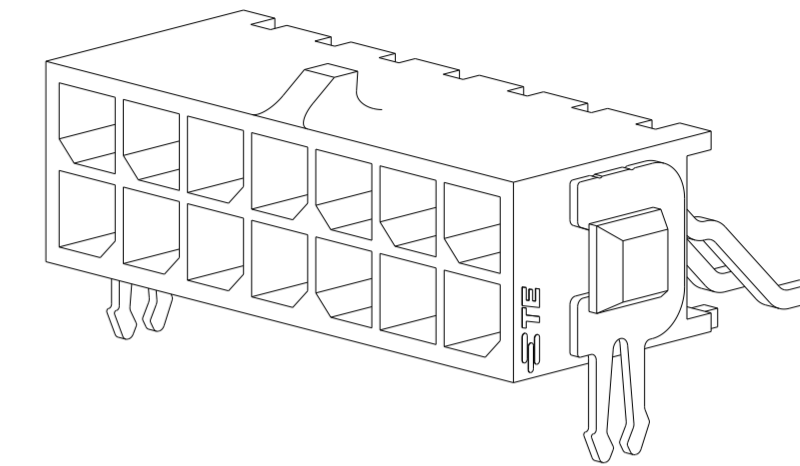
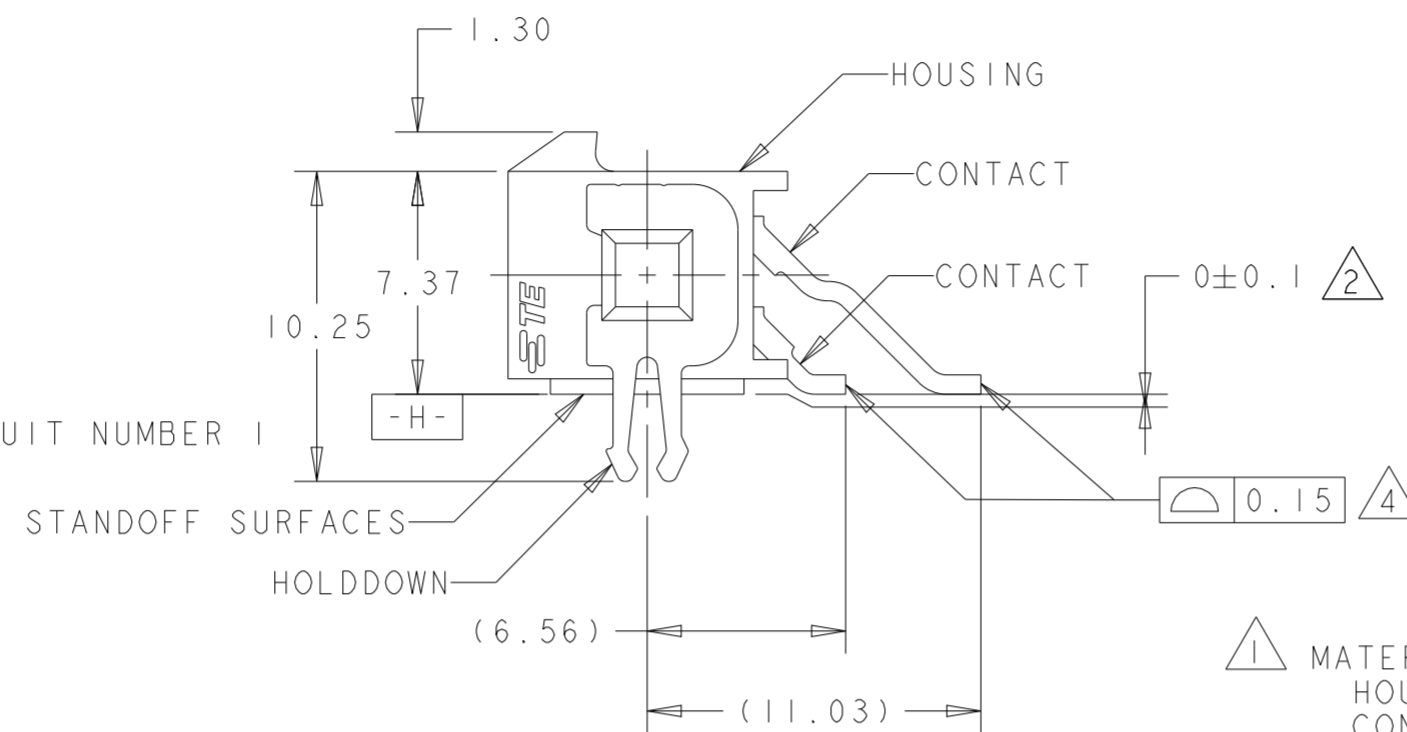
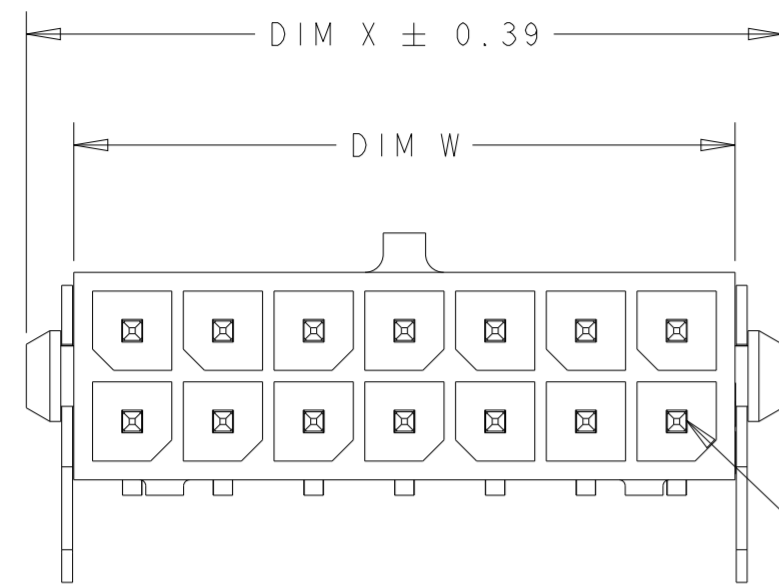
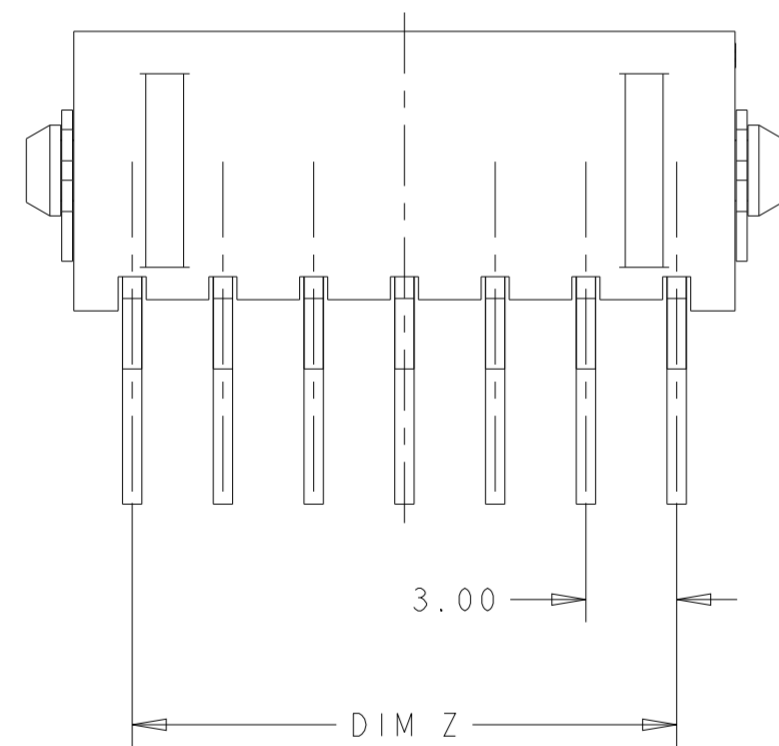


REVISIONS					
P	LTR	DESCRIPTION	DATE	DWN	APVD
G5		REVISED PER ECN-23-240910	24NOV2023	WLS	VS
G6		REVISED PER ECN-24-279340	16AUG2024	WLS	JP
H		REVISED PER ECN-25-323497	30MAY2025	WLS	JP



- 1 MATERIAL;
HOUSING - UL 94V-0 RATED HIGH TEMP NYLON, COLOR BLACK.
CONTACTS - BRASS.
HOLDDOWNS - PHOSPHOR BRONZE.
- 2 DIMENSION APPLIES TO SOLDER TAIL SURFACES AND STANDOFF SURFACES.
- 3 RECOMMENDED PC BOARD THICKNESS OF 1.57.
- 4 ALL SOLDER TAILS.
- 5 PLATING;
CONTACTS - 0.38µm MINIMUM GOLD,
OR
0.0762µm MINIMUM GOLD FLASH OVER 0.31µm MINIMUM PALLADIUM NICKEL,
ON MATING AREA PER TE CONNECTIVITY'S DISCRETION,
2.54µm MINIMUM MATTE TIN ON SOLDER TAILS.
ALL OVER 1.27µm MINIMUM NICKEL.
HOLDDOWNS - 2.54µm MINIMUM MATTE TIN OVER 1.27µm MINIMUM NICKEL.
- 6 COUNTERPART RECOMMENDED IS PN 794617 (DASH ACCORDING TO NUMBER OF POSITION).
- 7 FOR REELING DIRECTION AND PACKAGING TYPE, SEE SPECIFICATION 114-13000.

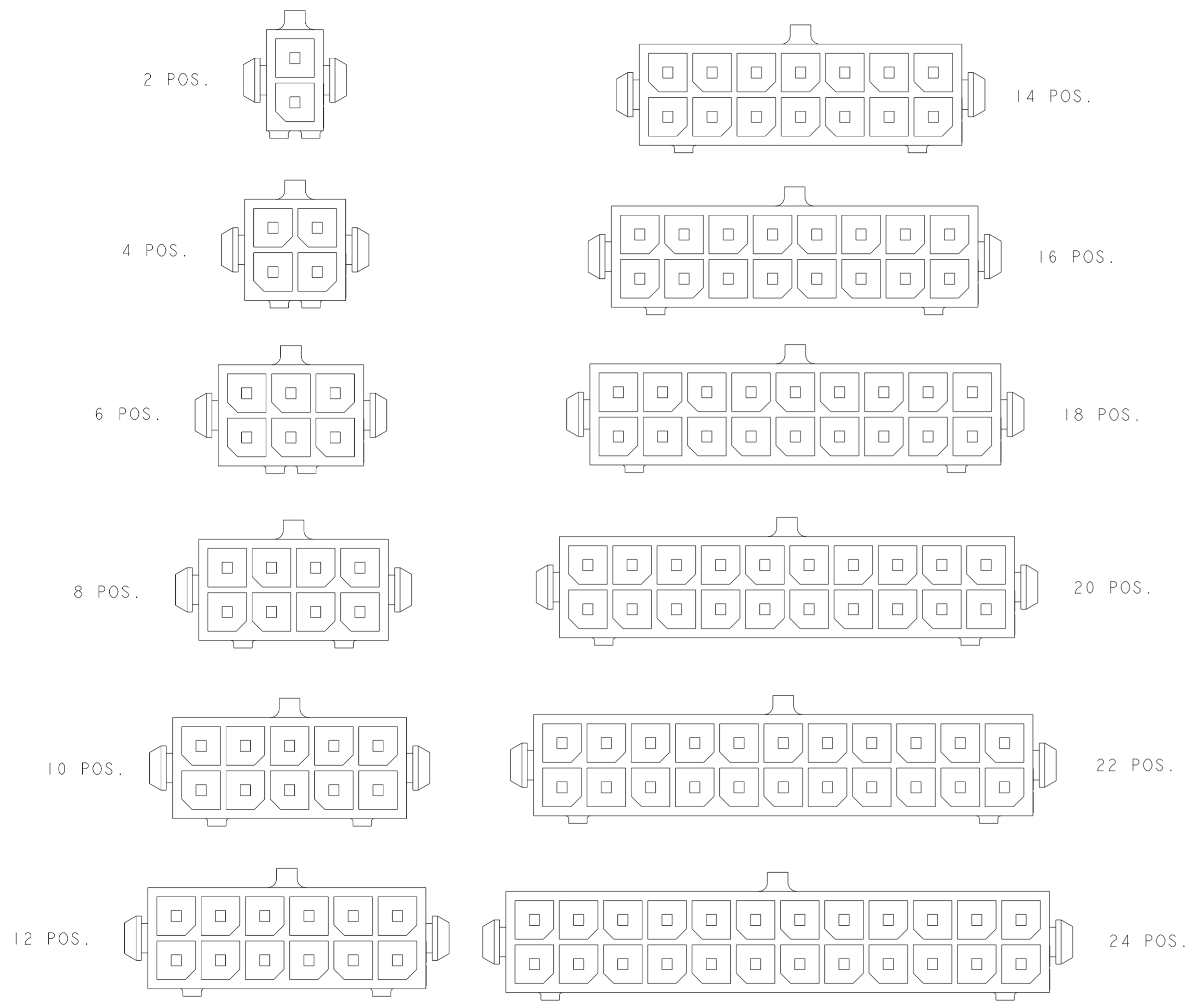


OBSOLETE	36.86	37.30	33.00	40.00	24	5-794625-4
OBSOLETE	33.86	34.30	30.00	37.00	22	5-794625-2
OBSOLETE	30.86	31.30	27.00	34.00	20	5-794625-0
OBSOLETE	27.86	28.30	24.00	31.00	18	4-794625-8
OBSOLETE	24.86	25.30	21.00	28.00	16	4-794625-6
OBSOLETE	21.86	22.30	18.00	25.00	14	4-794625-4
OBSOLETE	18.86	19.30	15.00	22.00	12	4-794625-2
	15.86	16.30	12.00	19.00	10	4-794625-0
OBSOLETE	12.86	13.30	9.00	16.00	8	3-794625-8
	9.86	10.30	6.00	13.00	6	3-794625-6
	6.86	7.30	3.00	10.00	4	3-794625-4
OBSOLETE	3.86	4.30		7.00	2	3-794625-2
	DIM W	DIM Y	DIM Z	DIM X	NO. OF POSN.	PART NUMBER

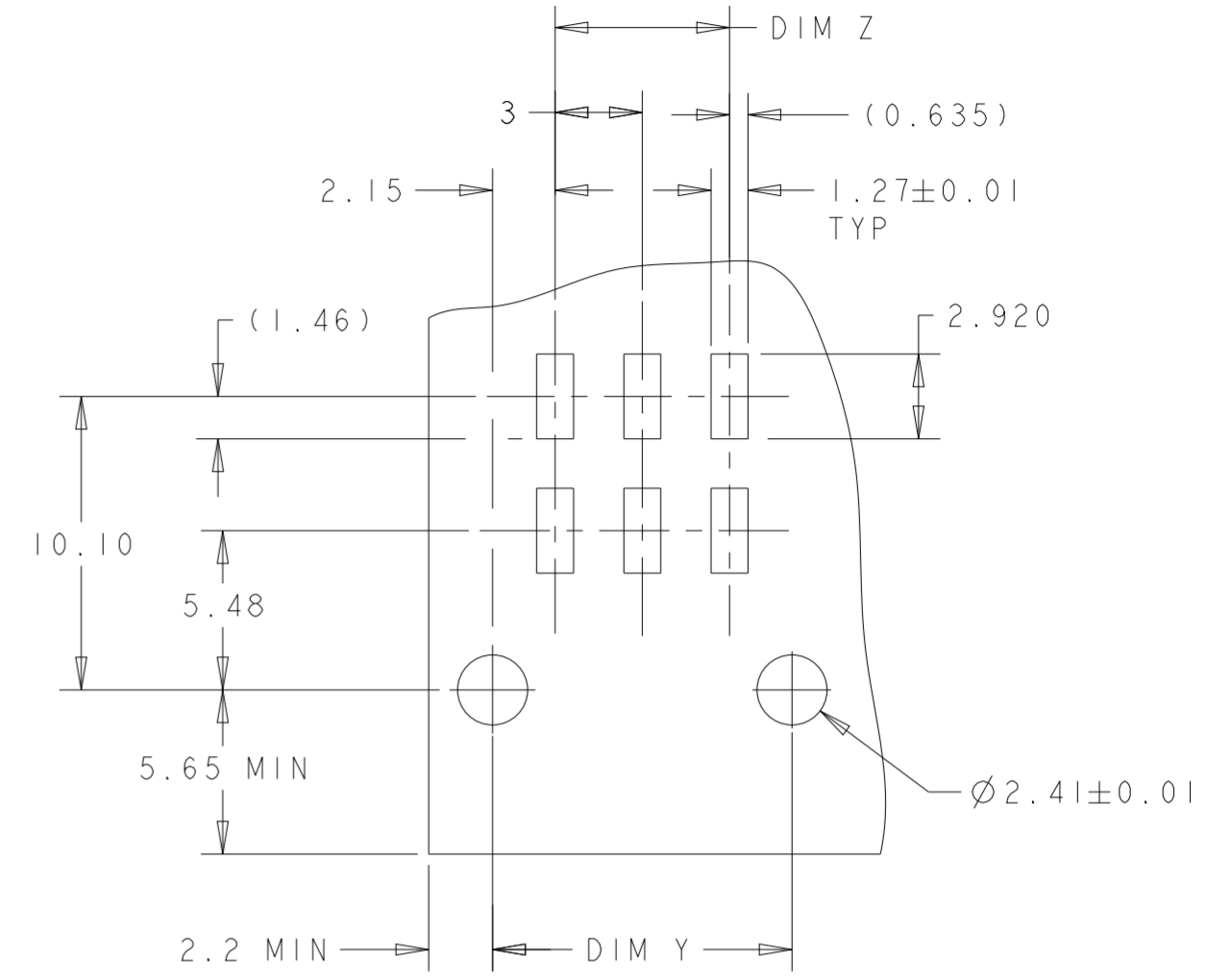
THIS DRAWING IS A CONTROLLED DOCUMENT.		DWN K. WHITAKER 18MAR2021	TE Connectivity			
DIMENSIONS: mm		CHK C. JONES 19MAR2003				
TOLERANCES UNLESS OTHERWISE SPECIFIED:		APVD C. JONES 19MAR2003	NAME SURFACE MOUNT, RIGHT ANGLE, MECHANICAL HOLDDOWN, ASSY, 0.38Au or 0.31PdNi, HDR, DUAL ROW, MICRO MATE-N TM MOK			
0 PLC ± 1 PLC ± 2 PLC ±0.20 3 PLC ± 4 PLC ±		PRODUCT SPEC 108-1836	SIZE A2	CAGE CODE 0779	DRAWING NO. C-794625	RESTRICTED TO -
MATERIAL 1		ANGLES FINISH 5	APPLICATION SPEC 114-13000	SCALE 4:1	SHEET 1	OF 2
CUSTOMER DRAWING; RESTRICTED CUSTOMER			WEIGHT -	REV H		

THIS DRAWING IS UNPUBLISHED. RELEASED FOR PUBLICATION 20
 © COPYRIGHT 2021 TE Connectivity. All Rights Reserved. ALL RIGHTS RESERVED.

REVISIONS				
P	LTR	DESCRIPTION	DATE	APVD
-	-	SEE SHEET 1	-	-



KEYING BY POSITION SIZE



RECOMMENDED PCB LAYOUT

THIS DRAWING IS A CONTROLLED DOCUMENT.		DWN K. WHITAKER 18MAR2021	TE Connectivity	
DIMENSIONS: mm		CHK C. JONES 19MAR2003		
TOLERANCES UNLESS OTHERWISE SPECIFIED:		APVD C. JONES 19MAR2003	NAME SURFACE MOUNT, RIGHT ANGLE, MECHANICAL HOLDDOWN, ASSY, 0.38Au or 0.31PdNi, HDR, DUAL ROW, MICRO MATE-N-LOK	
 0 PLC ± 1 PLC ± 2 PLC ±0.20 3 PLC ± 4 PLC ± ANGLES ±° FINISH		PRODUCT SPEC 108-1836	SIZE 114-13000	RESTRICTED TO -
MATERIAL		APPLICATION SPEC 114-13000	WEIGHT -	SCALE 4:1
		CUSTOMER DRAWING; RESTRICTED CUSTOMER	SIZE A20779	DRAWING NO C-794625
			SCALE 4:1	SHEET 2 OF 2
				REV H