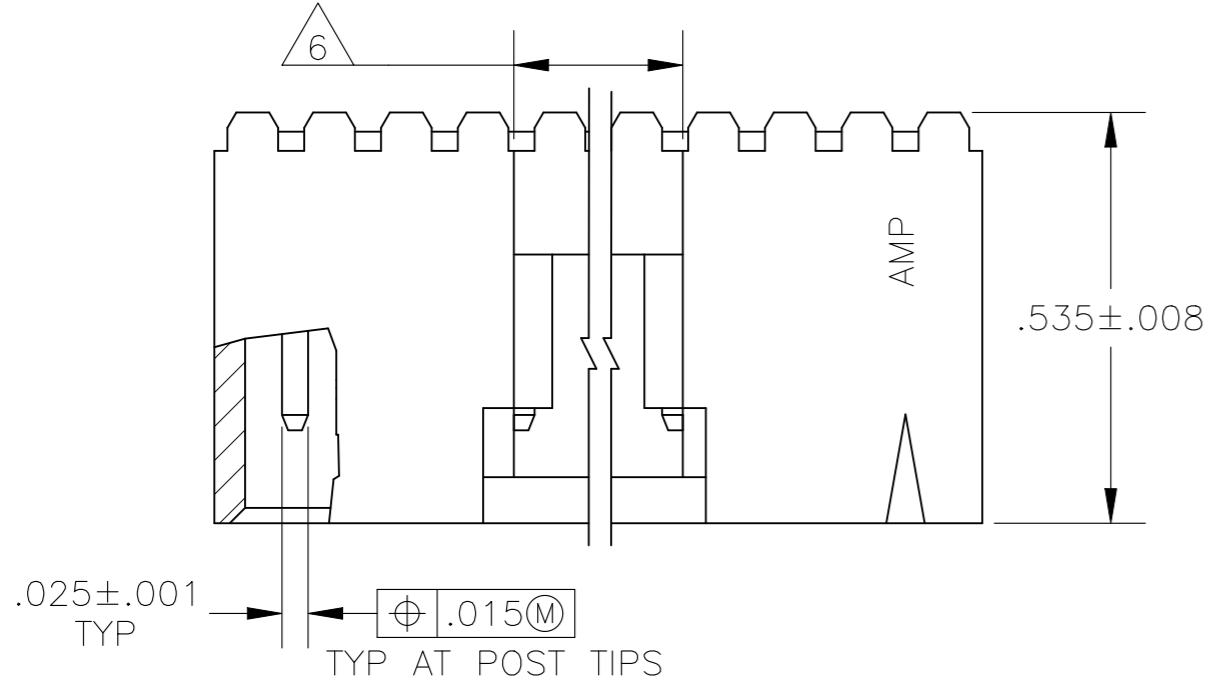
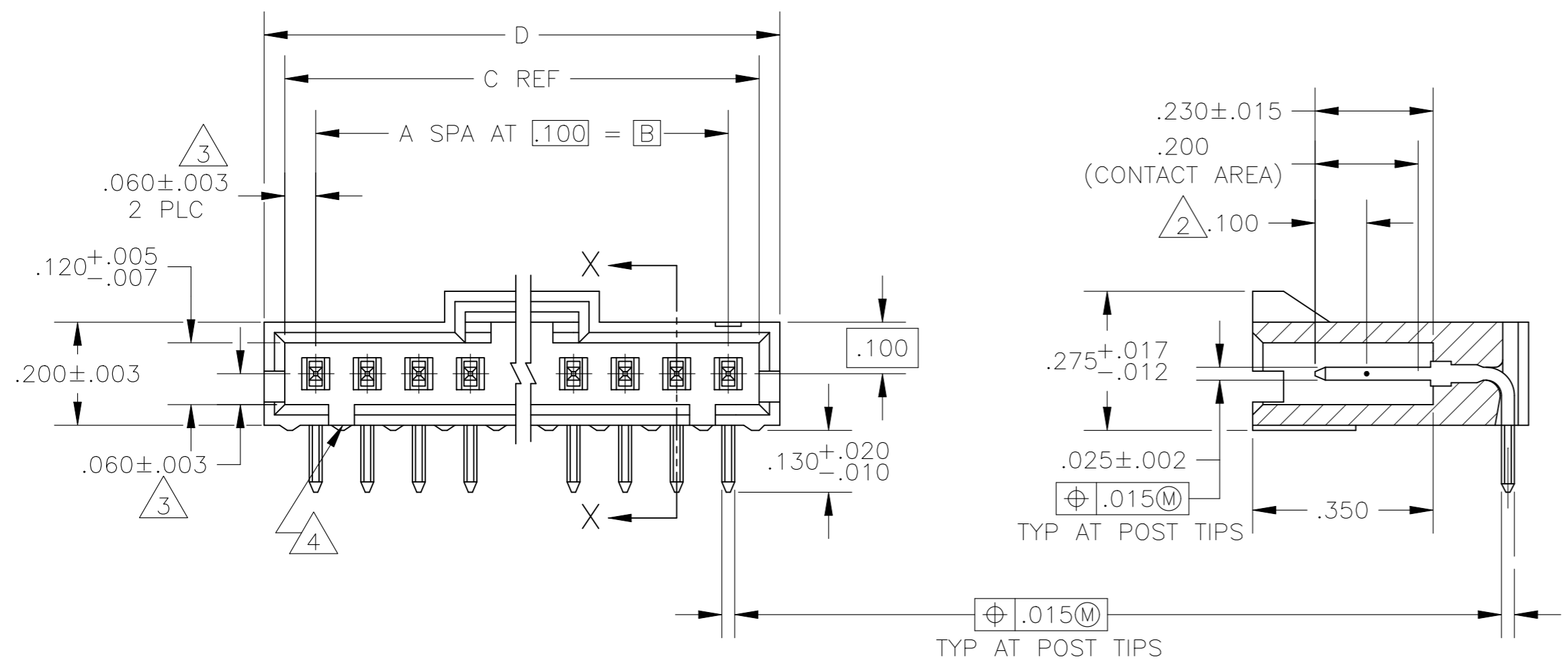


THIS DRAWING IS UNPUBLISHED. RELEASED FOR PUBLICATION
 © COPYRIGHT - By - ALL RIGHTS RESERVED.

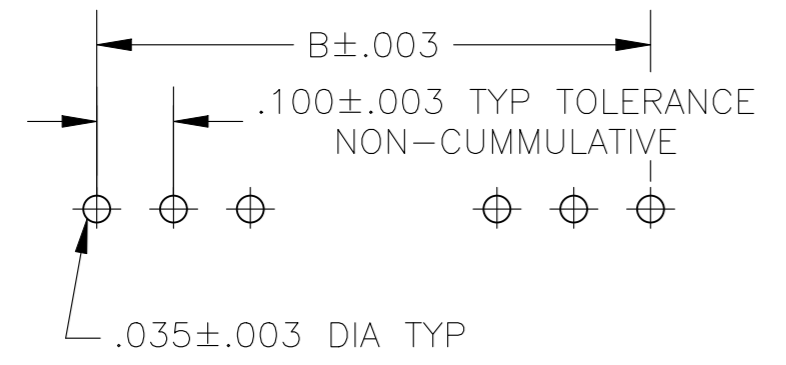
REVISIONS					
P	LTR	DESCRIPTION	DATE	DWN	APVD
R1		ECR-25-239014	16APR2025	ABS	PS



- 1 .000030 GOLD IN THE CONTACT AREA, .000100-.000200 MATTE TIN-LEAD ON THE SOLDER TAIL, ALL OVER .000050 NICKEL
- 2 POINT OF MEASUREMENT FOR PLATING THICKNESS
- 3 THE NOTED DIMENSIONS APPLY FROM THE BASIC DIMENSION LINE (NOT THE POST CENTERLINE) TO THE SURFACE INDICATED
- 4 ON ASSEMBLIES WITH FOUR OR MORE POSITIONS, TWO POLARIZATION SLOTS. ON ASSEMBLIES WITH TWO OR THREE POSITIONS, ONE POLARIZATION SLOT.
- 5 OBSOLETE PARTS: OBSOLETE CIS STREAMLINING PER D.RENAUD/D.SINISI
- 6 .010 RECESS PERMISSIBLE IN THIS AREA FOR MOLD SHUT OFF



SECTION X-X



RECOMMENDED HOLE LAYOUT

	D	C	B	A	NO OF POS	ASSEMBLY PART NUMBER
5 OBSOLETE	2.595	2.520	2.400	24	25	2-103906-4
SUPERSEDED BY 7-104935-3	2.495	2.420	2.300	23	24	2-103906-3
5 OBSOLETE	2.395	2.320	2.200	22	23	2-103906-2
5 OBSOLETE	2.295	2.220	2.100	21	22	2-103906-1
5 OBSOLETE	2.195	2.120	2.000	20	21	2-103906-0
SUPERSEDED BY 6-104935-3	2.095	2.020	1.900	19	20	1-103906-9
5 OBSOLETE	1.995	1.920	1.800	18	19	1-103906-8
5 OBSOLETE	1.895	1.820	1.700	17	18	1-103906-7
5 OBSOLETE	1.795	1.720	1.600	16	17	1-103906-6
5 OBSOLETE	1.695	1.620	1.500	15	16	1-103906-5
5 OBSOLETE	1.595	1.520	1.400	14	15	1-103906-4
SUPERSEDED BY 6-104935-3	1.495	1.420	1.300	13	14	1-103906-3
5 OBSOLETE	1.395	1.320	1.200	12	13	1-103906-2
5 OBSOLETE	1.295	1.220	1.100	11	12	1-103906-1
SUPERSEDED BY 6-104935-1	1.195	1.120	1.000	10	11	1-103906-0
5 OBSOLETE	1.095	1.020	.900	9	10	103906-9
SUPERSEDED BY 5-104935-9	.995	.920	.800	8	9	103906-8
5 OBSOLETE	.895	.820	.700	7	8	103906-7
5 OBSOLETE	.795	.720	.600	6	7	103906-6
5 OBSOLETE	.695	.620	.500	5	6	103906-5
5 OBSOLETE	.595	.520	.400	4	5	103906-4
5 OBSOLETE	.495	.420	.300	3	4	103906-3
5 OBSOLETE	.395	.320	.200	2	3	103906-2
5 OBSOLETE	.295	.220	.100	1	2	103906-1

THIS DRAWING IS A CONTROLLED DOCUMENT.		DWN LA MAYER 4-30-86	TE Connectivity		
DIMENSIONS: INCHES		CHK P deJONG 4-30-86			
TOLERANCES UNLESS OTHERWISE SPECIFIED:		APVD P deJONG 4-30-86	NAME		
0 PLC ± - 1 PLC ± - 2 PLC ± - 3 PLC ± .005 4 PLC ± - ANGLES ± - FINISH		PRODUCT SPEC 108-25034	ASSY, AMPMODU MTE, HEADER, RIGHT ANGLE, SINGLE ROW, .100 C/L .025 SQ POST, WITH LATCH		
MATERIAL HOUSING: FLAME RETARDANT LCP, COLOR-BLACK CONTACTS: BRASS		WEIGHT -	SIZE A2	CAGE CODE 00779	DRAWING NO C=103906
POST: 1		CUSTOMER DRAWING		SCALE 4:1	SHEET 1 OF 1
				RESTRICTED TO -	REV R1